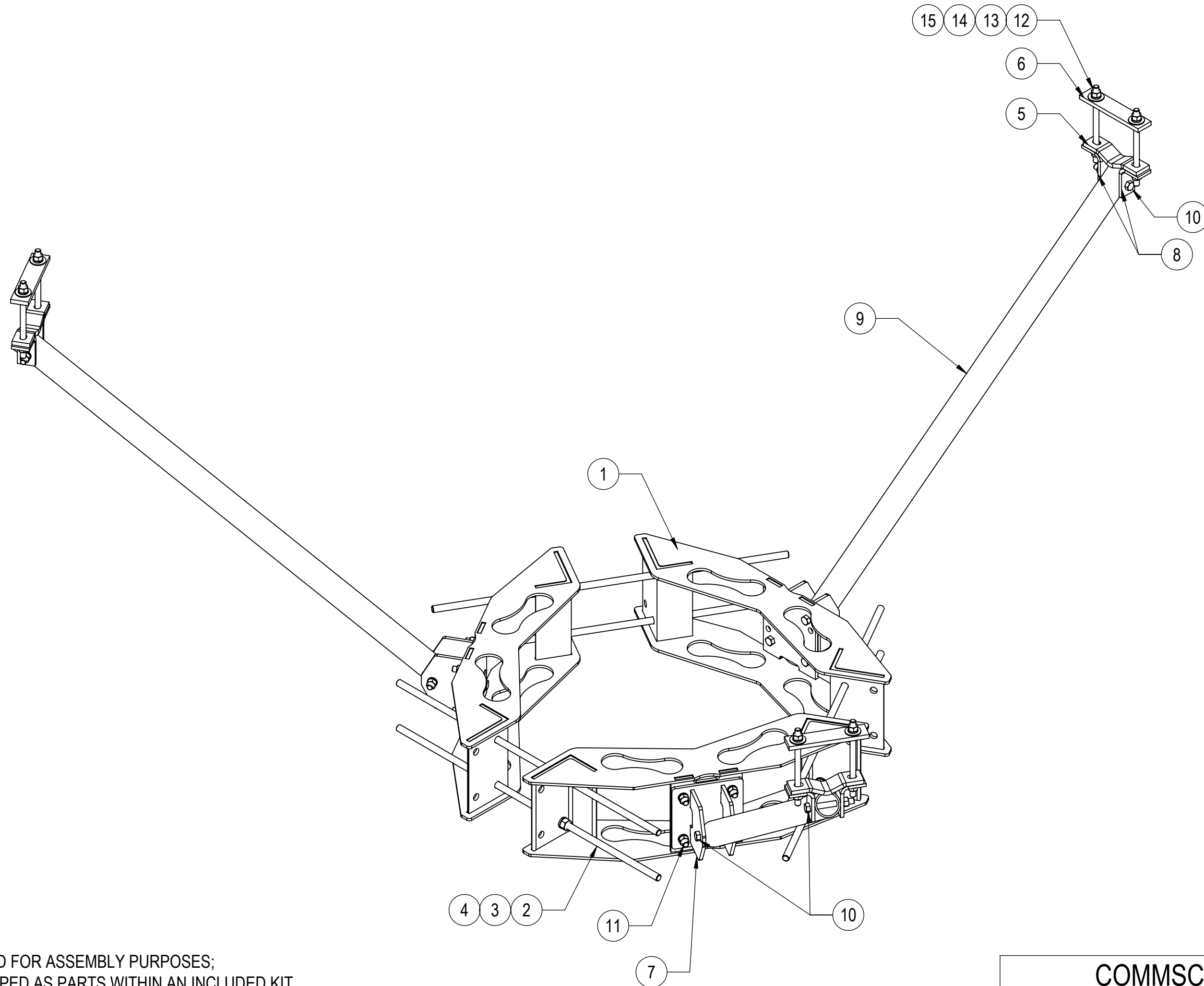


- 1.0 GENERAL NOTES
  - 1.1 ALL METRIC DIMENSIONS ARE IN BRACKETS [X.X]
- 2.0 DESIGN NOTES
- 3.0 MANUFACTURING/SPECIAL REQUIREMENTS
  - 3.1 TIGHTEN ALL BOLTS SECURING FLAT PLATES BY THE TURN-OF-NUT METHOD.
  - TIGHTEN ALL U-BOLTS USING TURN-OF-NUT METHOD WITH ATTENTION TO LEAVE EQUAL DISTANCE AND EQUAL FORCE ON EACH LEG OF THE U-BOLT.
- 4.0 TEST
- 5.0 PACKAGING

REVISIONS			
REV.	DESCRIPTION	DATE	APPROVED
A	INITIAL RELEASE	MSM 22SEP14	TP
C	MT-381-10 WAS MT-381-8; GB-0550A WAS GB-0546A (MATCHED WITH BOM)	JL1183 15NOV22	SA1015 40160482CMO



COMPONENT PART NUMBERS PROVIDED FOR ASSEMBLY PURPOSES;  
INDIVIDUAL COMPONENTS MAY BE SHIPPED AS PARTS WITHIN AN INCLUDED KIT.

ITEM	PART NO.	DESCRIPTION	QTY.	WEIGHT	NOTE NO.
1	MTC306505W	3060 RM WELDMENT	3	58.05 LBS	
2	MT38440	3/4" X 40" GALV THREADED ROD GRADE B7	6	4.98 LBS	
3	GWL-06	3/4" GALV LOCK WASHER	12	0.04 LBS	
4	GN-06	3/4" GALV HEX NUT	12	0.15 LBS	
5	DCP10	SMALL CLAMP HALF	6	2.21 LBS	
6	MTC323704	CLAMP BAR	6	2.37 LBS	
7	RK01	KICKER STANDOFF WELDMENT	3	12.54 LBS	
8	RK02	CONNECTION BRACKET	6	1.21 LBS	
9	RK60	KICKER ARM SUPPORT TUBE 5'	3	28.73 LBS	
10	GB-0550A	5/8" X 5" GALV BOLT KIT (A325)	6	0.52 LBS	
11	GB-0520A	5/8" X 2" GALV BOLT KIT (A325)	12	0.26 LBS	
12	MT-381-10	5/8" X 10" GALV THREADED ROD	6	0.86 LBS	
13	GWF-05	5/8" GALV FLAT WASHER, 1.70D	12	0.06 LBS	
14	GWL-05	5/8" GALV LOCK WASHER	12	0.03 LBS	
15	GN-05	5/8" GALV HEX NUT	12	0.08 LBS	



DENSITY	0.06	lbs/in <sup>3</sup>
MASS	380.17	lbs
VOLUME	5982.98	in <sup>3</sup>
SURFACE AREA	28538.73	in <sup>2</sup>
HEIGHT	60[1524]	
LENGTH	60[1524]	
WIDTH	10[251]	

© 2022 CommScope, Inc. Confidential

COMMSCOPE, INC. OF NORTH CAROLINA										
TOLERANCES					SAP MATERIAL MASTER					
1 PLACE .X[X] ± 0.12[3.0]			3 PLACE .XXX[X] ± 0.03[0.8]		<b>RK-60-3L</b>					
2 PLACE .XX[X] ± 0.06[1.5]			ANGLES ± 2°							
FINISH GALV A123					MATERIAL A36, A529, A500					
UNLESS OTHERWISE SPECIFIED DIMENSIONS ARE IN INCHES INTERPRET PER ANSI Y 14.5M-1994	CE	MSM	09/22/14	<b>REINFORCEMENT KIT, 3-SECTOR, 60" ARM, 30</b>						
	RW	JL1183	11/24/2022							
	AD	BCROSS	11/30/2022							
	RE	YX1027	12/27/2022							
	ECN	40160482CMO								
SCALE			DOCUMENT NO.							
<b>1:24</b>			<b>RK-60-3L</b>							
SIZE	Auth Group	INSL	MODEL			DRAWING				SHEET 1 OF 2
C			VERSION	STATUS	REVISION	VERSION	STATUS	REVISION		
			01	RE	B	01	RE	C		

4

3

2

1

D

D

C

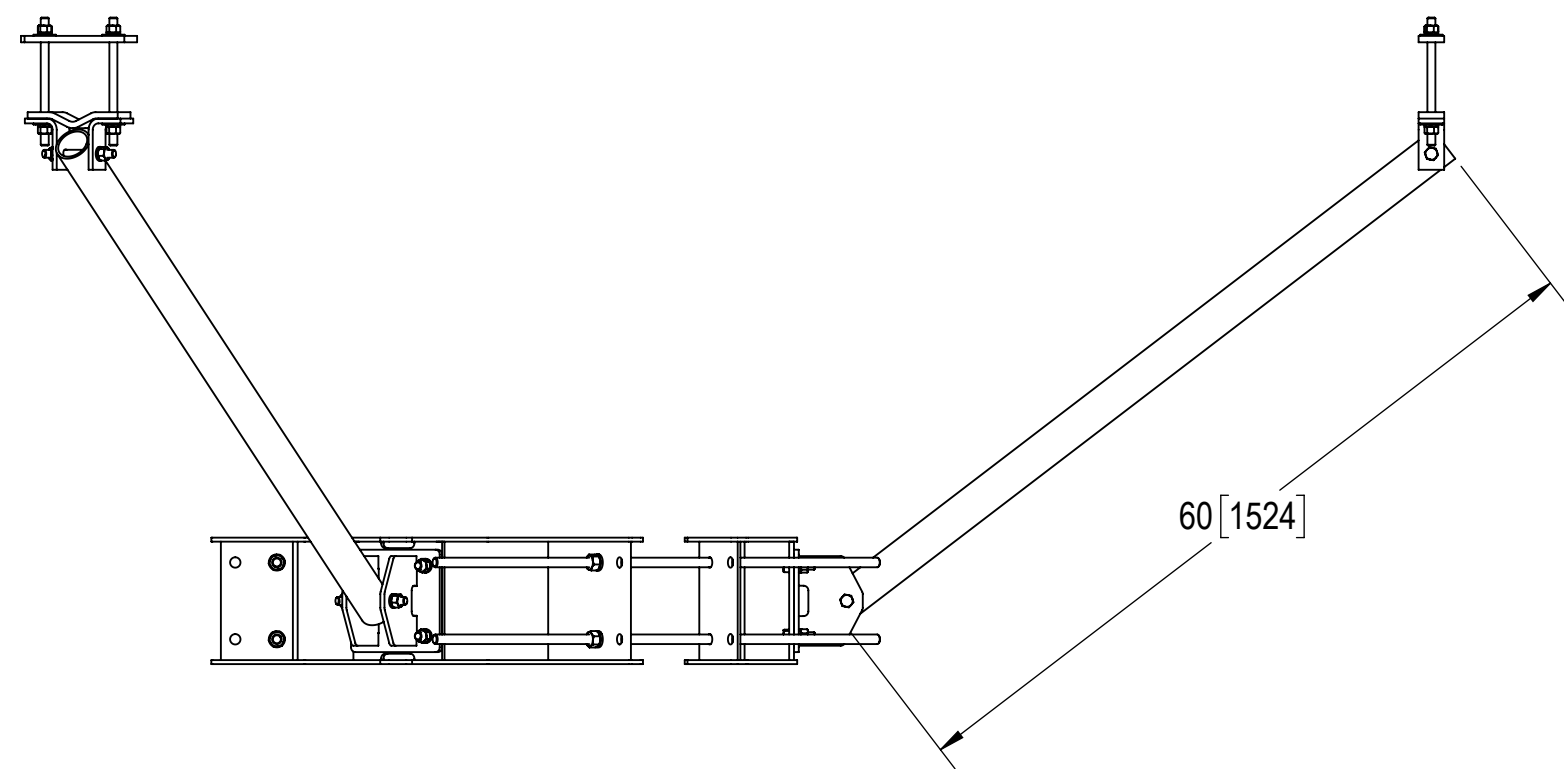
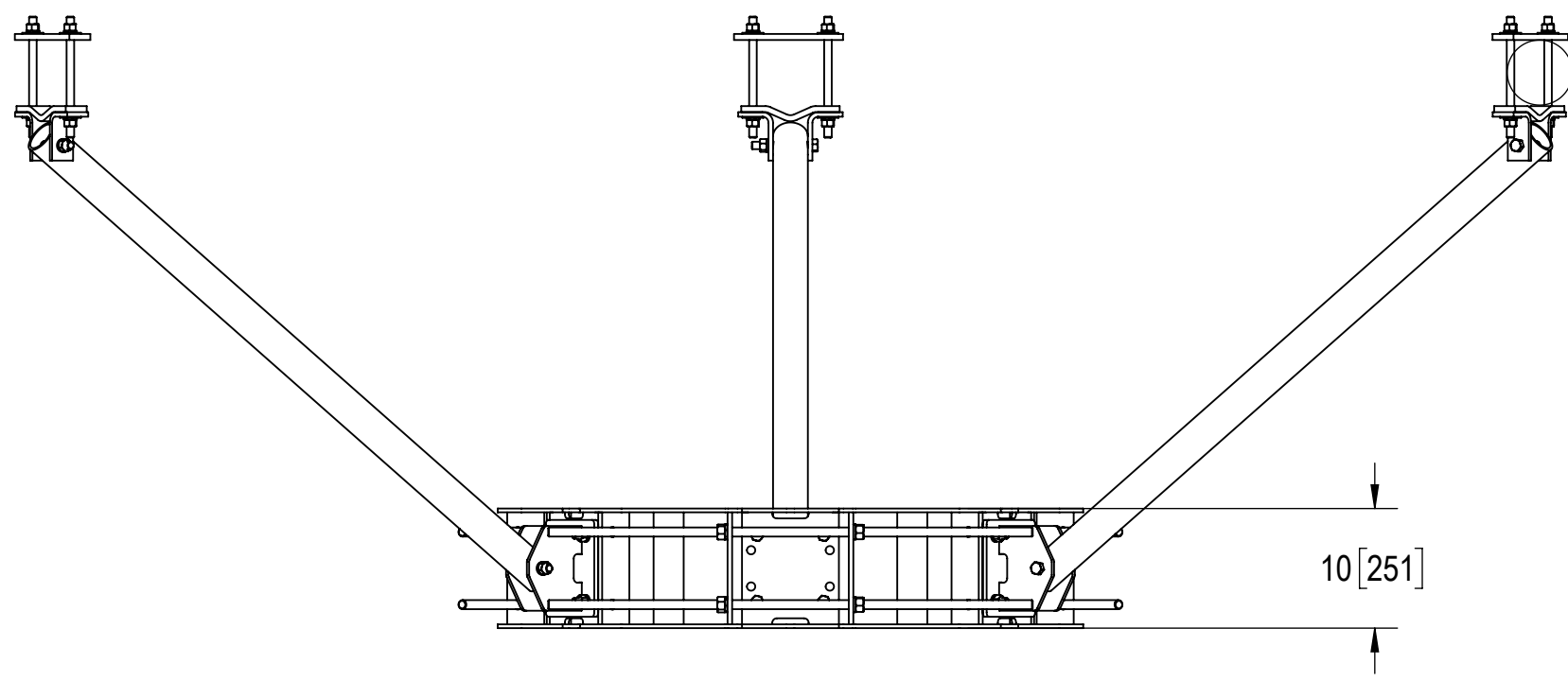
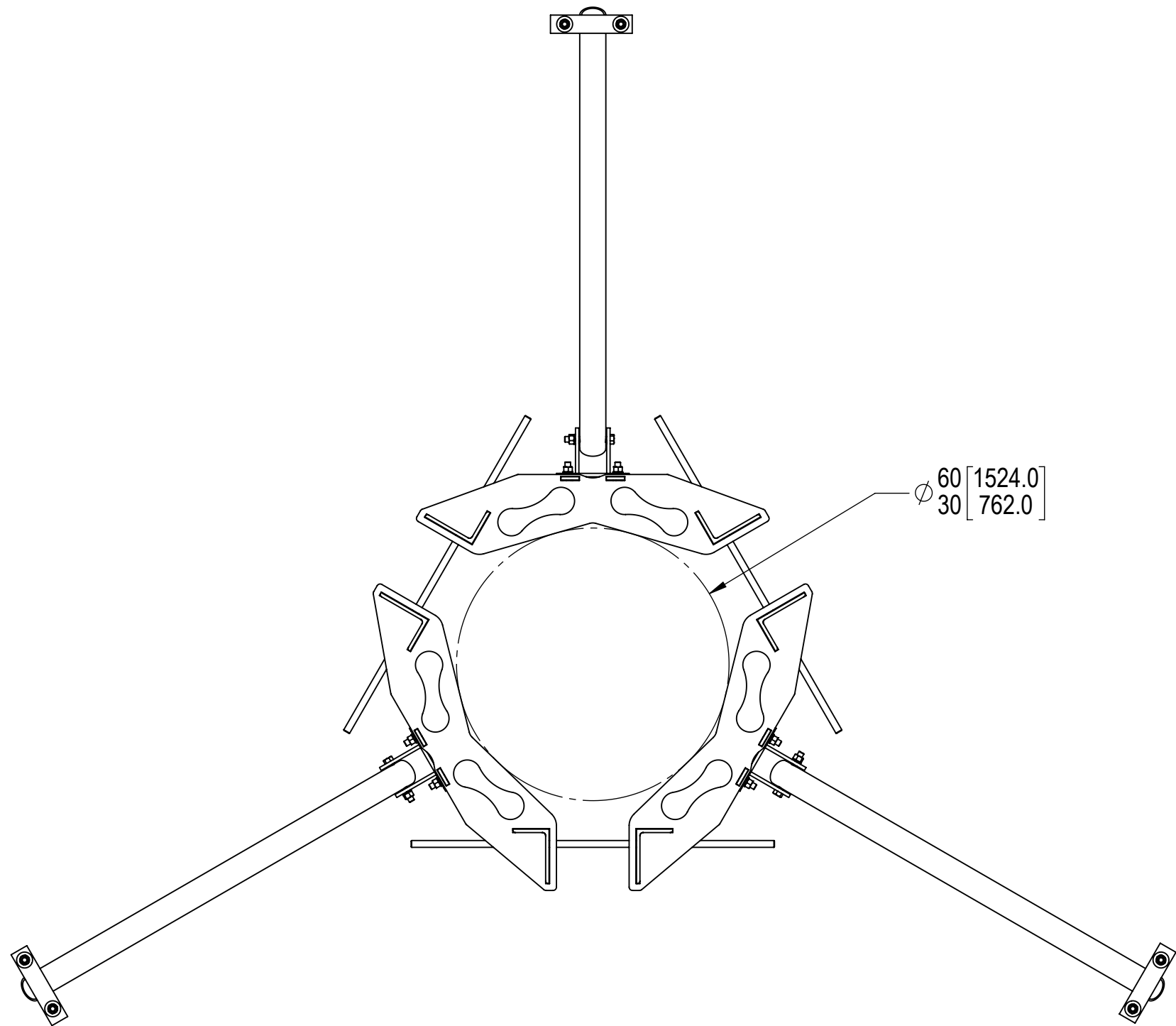
C

B

B

A

A



COMMSCOPE, INC. OF NORTH CAROLINA					
TITLE REINFORCEMENT KIT, 3-SECTOR, 60" ARM, 30					
SIZE <b>C</b>	SCALE <b>1:25</b>	DOCUMENT NO. <b>RK-60-3L</b>			
		DRAWING			SHEET
		VERSION	STATUS	REVISION	2 OF 2
		01	RE	C	

© 2022 CommScope, Inc. Confidential

4

3

2

1