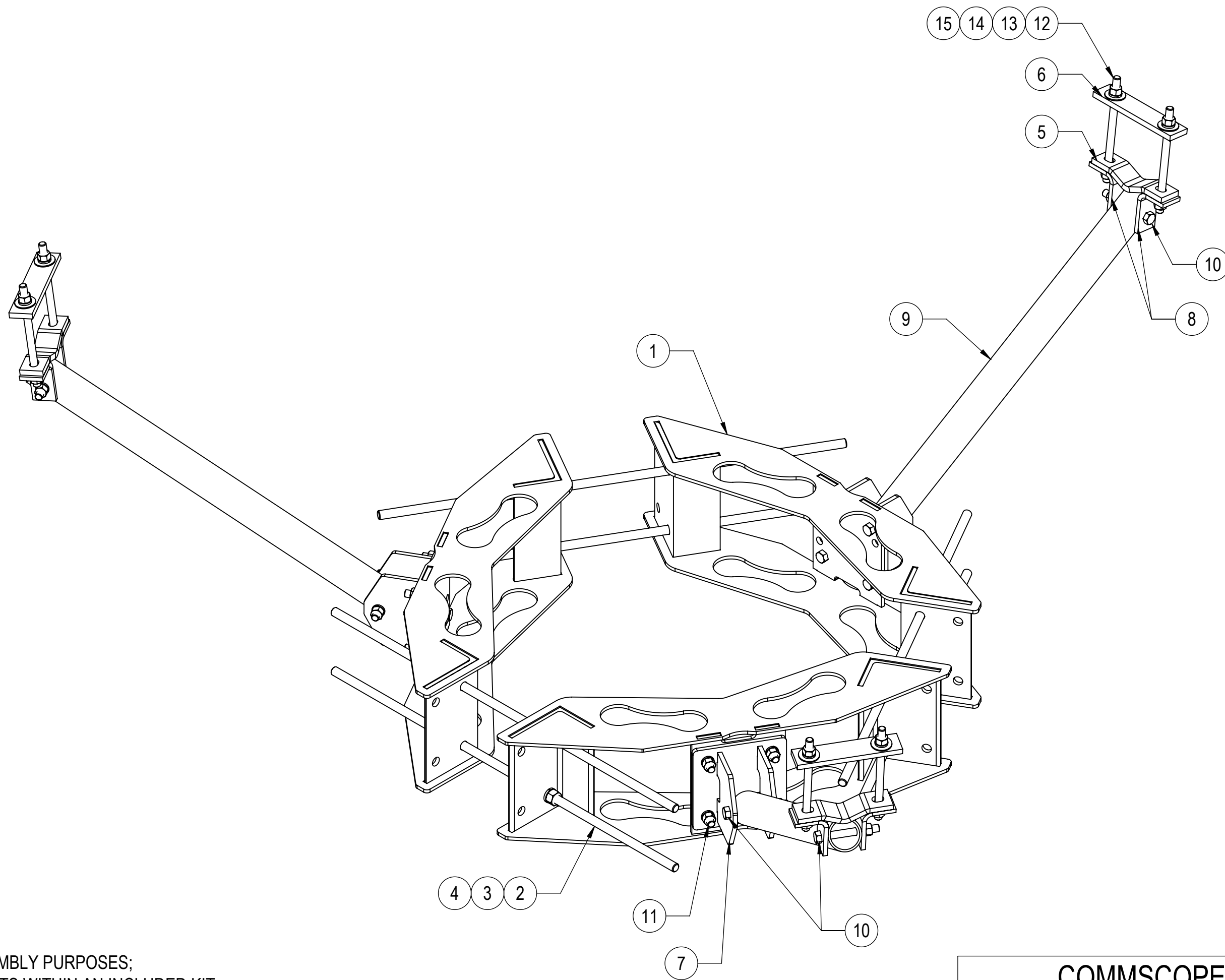


- 1.0 GENERAL NOTES
 - 1.1 ALL METRIC DIMENSIONS ARE IN BRACKETS [X.X]
- 2.0 DESIGN NOTES
- 3.0 MANUFACTURING/SPECIAL REQUIREMENTS
 - 3.1 TIGHTEN ALL BOLTS SECURING FLAT PLATES BY THE TURN-OF-NUT METHOD.
 - TIGHTEN ALL U-BOLTS USING TURN-OF-NUT METHOD WITH ATTENTION TO LEAVE EQUAL DISTANCE AND EQUAL FORCE ON EACH LEG OF THE U-BOLT.
- 4.0 TEST
- 5.0 PACKAGING

REVISIONS			
REV.	DESCRIPTION	DATE	APPROVED
A	INITIAL RELEASE	MSM 22SEP14	TP
C	MT-381-10 WAS MT-381-8; GB-0550A WAS GB-0546A (MATCHED WITH BOM)	JL1183 15NOV22	SA1015 40160482CMO



COMPONENT PART NUMBERS PROVIDED FOR ASSEMBLY PURPOSES;
INDIVIDUAL COMPONENTS MAY BE SHIPPED AS PARTS WITHIN AN INCLUDED KIT.

ITEM	PART NO.	DESCRIPTION	QTY.	WEIGHT	NOTE NO.
1	MTC306505W	3060 RM WELDMENT	3	58.05 LBS	
2	MT38440	3/4" X 40" GALV THREADED ROD GRADE B7	6	4.98 LBS	
3	GWL-06	3/4" GALV LOCK WASHER	12	0.04 LBS	
4	GN-06	3/4" GALV HEX NUT	12	0.15 LBS	
5	DCP10	SMALL CLAMP HALF	6	2.21 LBS	
6	MTC323704	CLAMP BAR	6	2.37 LBS	
7	RK01	KICKER STANDOFF WELDMENT	3	12.54 LBS	
8	RK02	CONNECTION BRACKET	6	1.21 LBS	
9	RK36	KICKER ARM SUPPORT TUBE , 36"	3	16.02 LBS	
10	GB-0550A	5/8" X 5" GALV BOLT KIT (A325)	6	0.52 LBS	
11	GB-0520A	5/8" X 2" GALV BOLT KIT (A325)	12	0.26 LBS	
12	MT-381-10	5/8" X 10" GALV THREADED ROD	6	0.86 LBS	
13	GWF-05	5/8" GALV FLAT WASHER, 1.70D	12	0.06 LBS	
14	GWL-05	5/8" GALV LOCK WASHER	12	0.03 LBS	
15	GN-05	5/8" GALV HEX NUT	12	0.08 LBS	

COMMSCOPE, INC. OF NORTH CAROLINA

TOLERANCES
 1 PLACE .X[X] ± 0.12[3.0] 3 PLACE .XXX[X] ± 0.03[0.8]
 2 PLACE .XX[X] ± 0.06[1.5] ANGLES ± 2°

SAP MATERIAL MASTER
RK-36-3L

FINISH: GALV A123 MATERIAL: A36, A529, A500

NAME	DATE	TITLE
CE MSM	09/22/14	REINFORCEMENT KIT, 3-SECTOR, 36" ARM, 30
RW JL1183	11/24/2022	
AD BCROSS	11/30/2022	
RE YX1027	12/27/2022	
ECN 40160482CMO		

SCALE: **1:24** DOCUMENT NO.: **RK-36-3L**

SIZE	Auth Group	INSL	MODEL	DRAWING			SHEET	
C			VERSION	STATUS	REVISION	VERSION	STATUS	REVISION
			01	RE	B	01	RE	C

1 OF 2

DENSITY	0.06	lbs/in ³
MASS	342.06	lbs
VOLUME	5847.71	in ³
SURFACE AREA	27339.02	in ²
HEIGHT	36[914.4]	
LENGTH	36[914.4]	
WIDTH	10[251.0]	

4

3

2

1

D

D

C

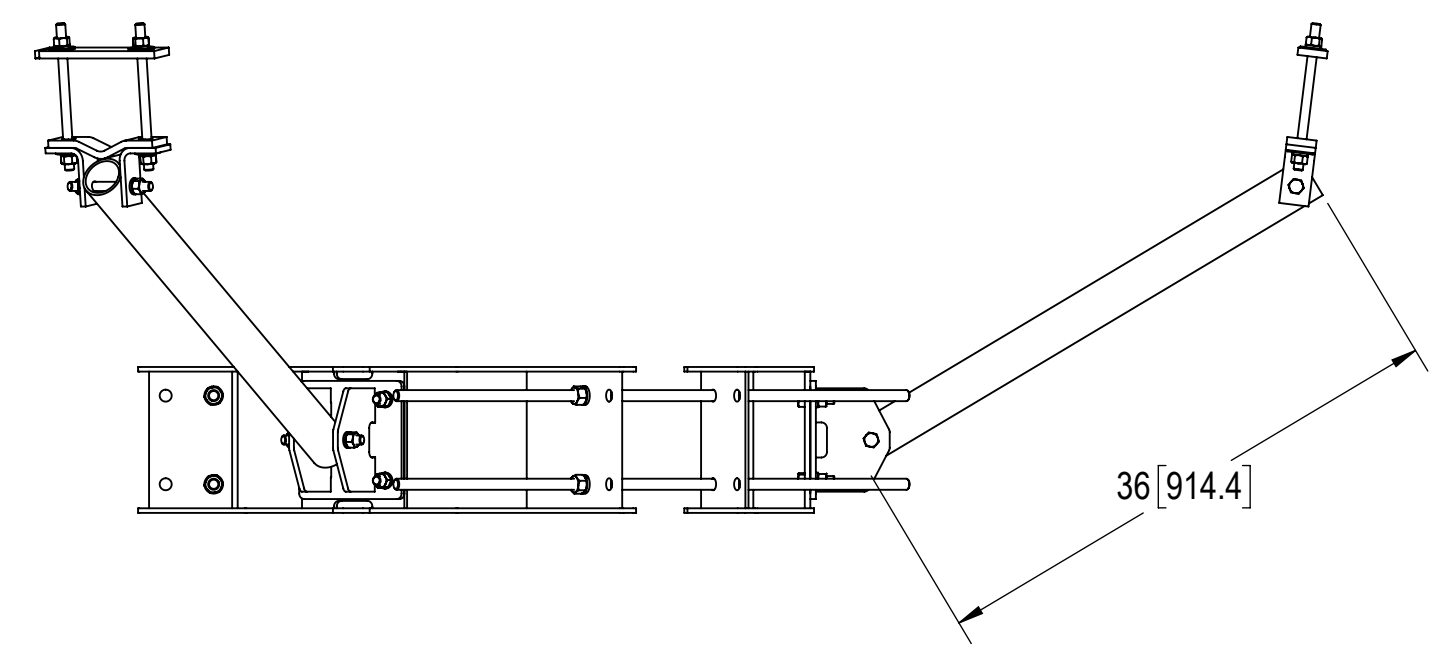
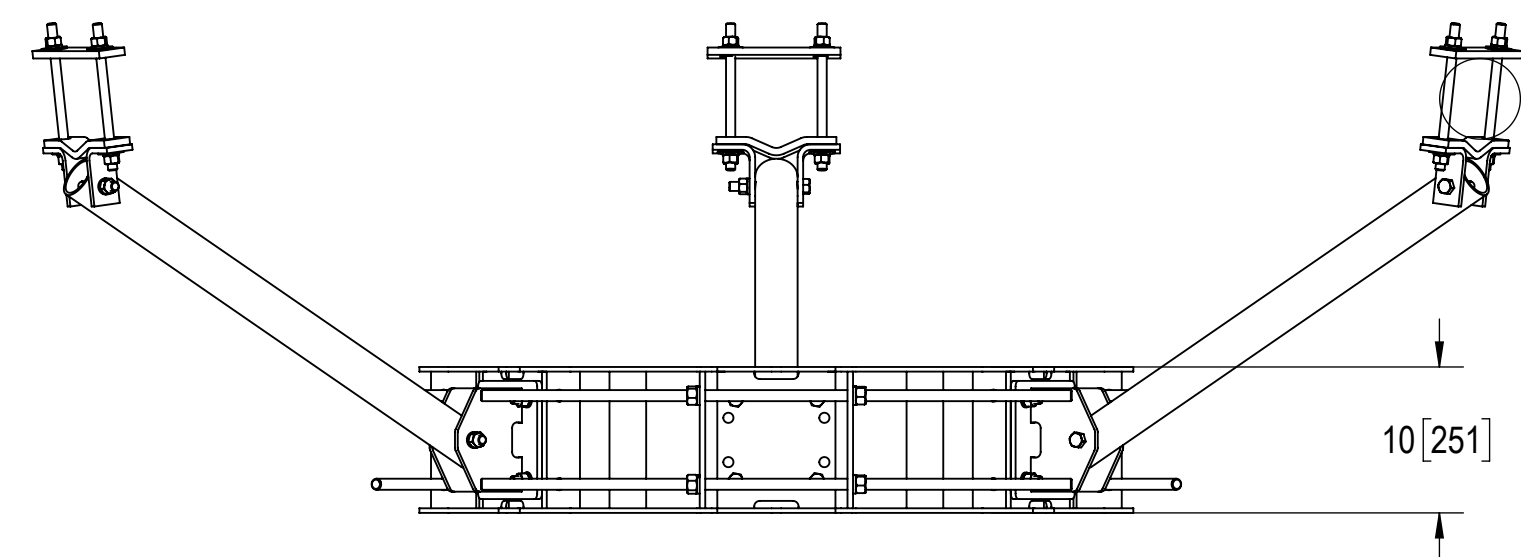
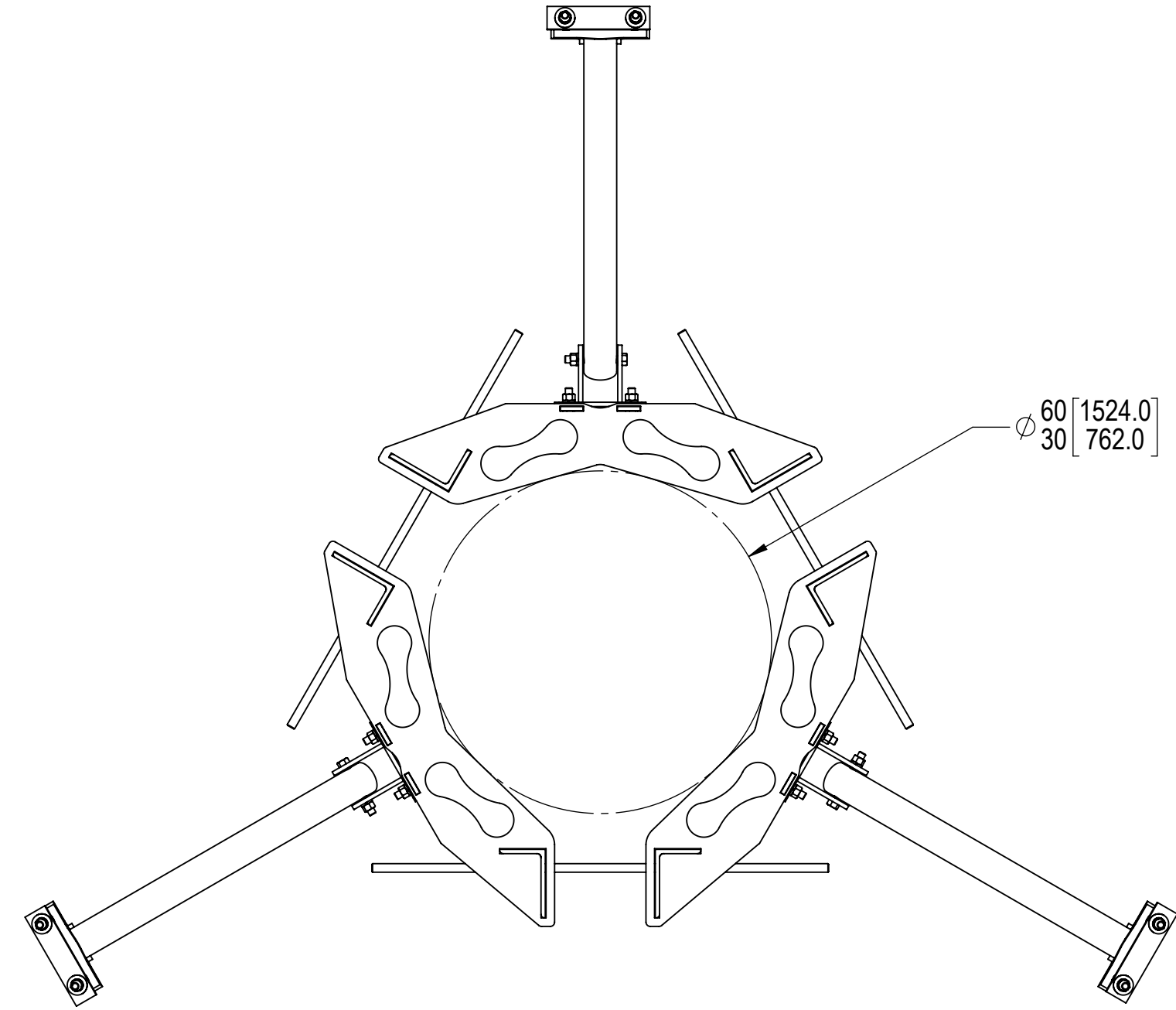
C

B

B

A

A



COMMSCOPE, INC. OF NORTH CAROLINA				
TITLE REINFORCEMENT KIT, 3-SECTOR, 36" ARM, 30				
SIZE C	SCALE 1:25	DOCUMENT NO. RK-36-3L		
		DRAWING		SHEET
		VERSION	STATUS	REVISION
		01	RE	C
				2 OF 2

© 2022 CommScope, Inc. Confidential

4

3

2

1