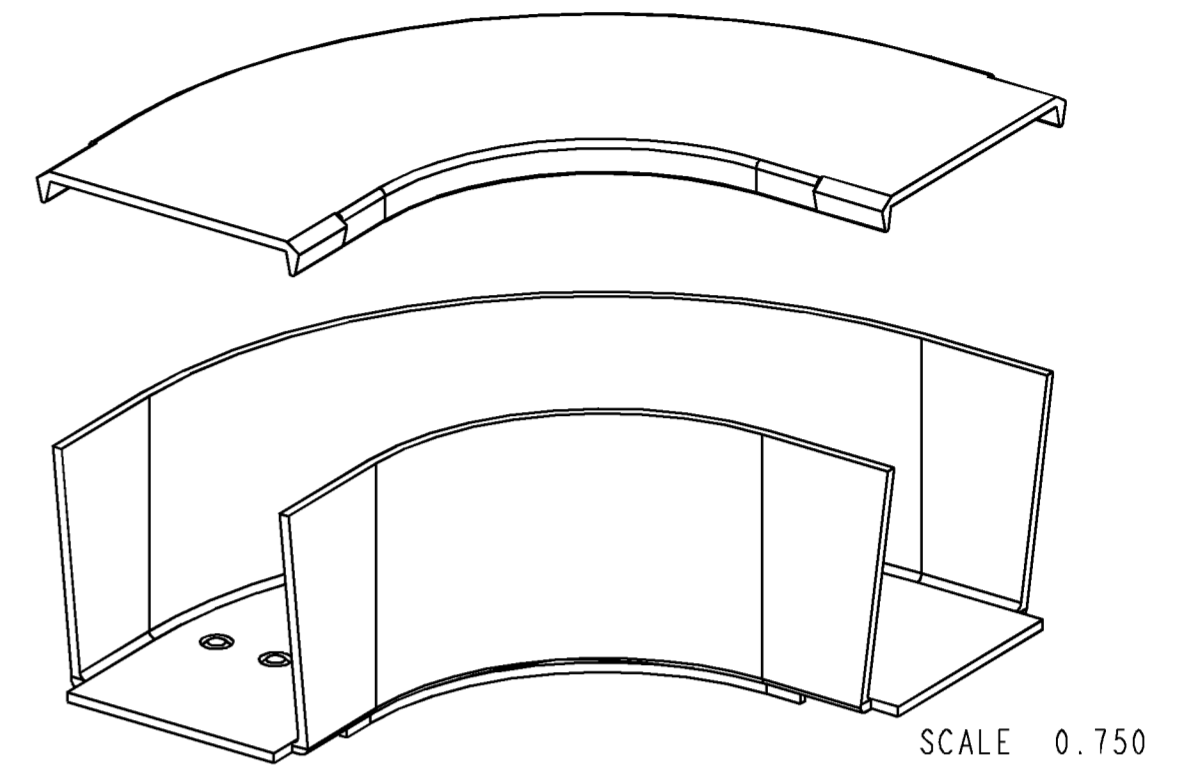
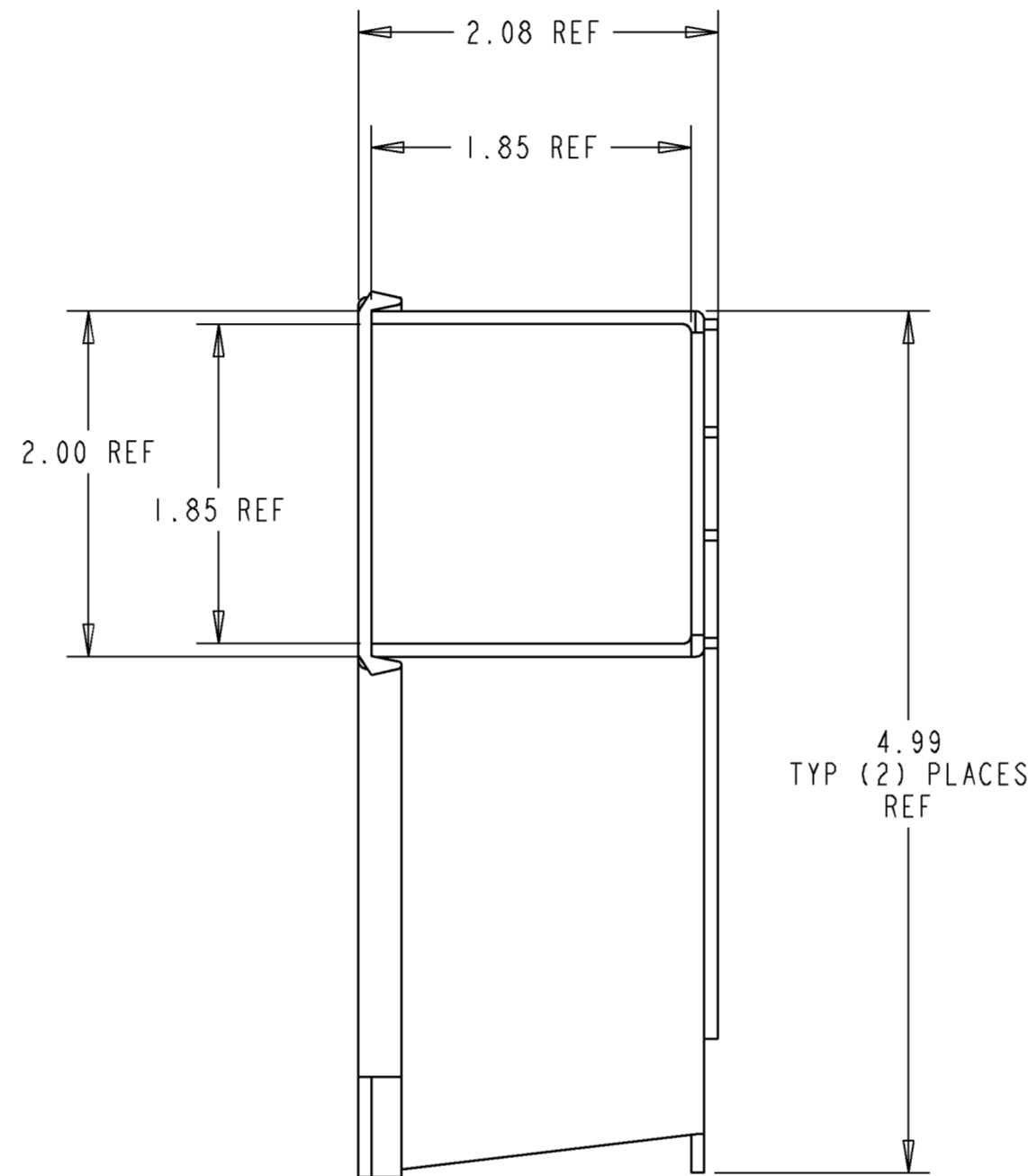
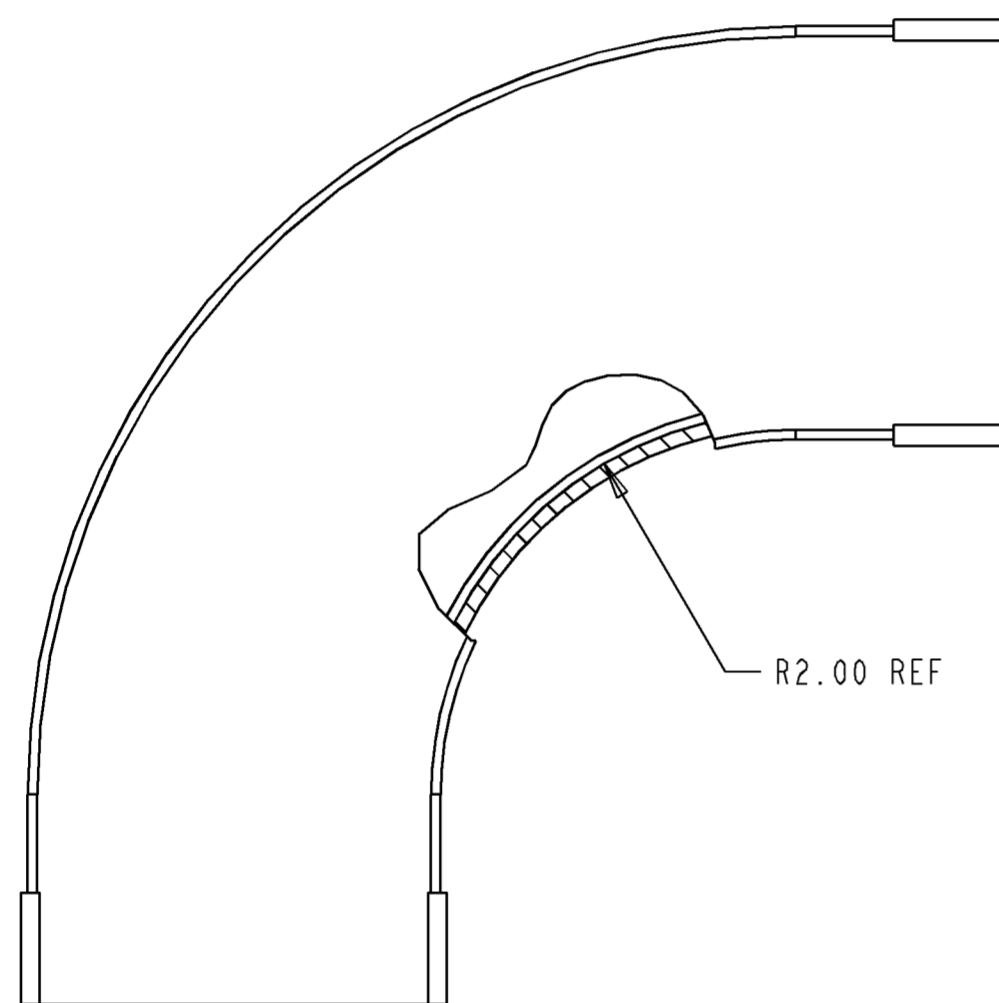


REV	MCO	DWN	DATE
A	20003177	TH	8/13/97
B	20239114	AED	02-MAY-08

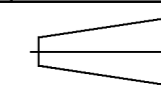
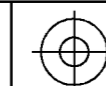


NOTES:
 1. MATERIAL IS SELF EXTINGUISHING WITH A UL 94 RATING OF V-0.

CATALOG NO.	COLOR
FGSB-MH9A-C	BLACK
FGS-MH9A-C	YELLOW
FGSO-MH9A-C	ORANGE



INFORMATION ON THIS DOCUMENT IS PROPRIETARY TO ADC AND SHALL NOT BE USED, COPIED, REPRODUCED OR DISCLOSED IN WHOLE OR IN PART WITHOUT WRITTEN CONSENT OF ADC.		TITLE ELBOW, 90 HORIZ, 2X2 INSTALLATION DWG	
ALL DIMS AND TOLERANCES ARE INCHES UNLESS OTHERWISE SPECIFIED	.XX:±N/A .XXX:±N/A ANGULAR:±N/A	C SIZE	DRAWING NUMBER 4400018049
DO NOT SCALE DRAWING	ENGR: T. HAATAJA DWN: T. HAATAJA	SHT. 1 OF 1	



**DIMENSIONS IN INCHES
 THIRD ANGLE PROJECTION**