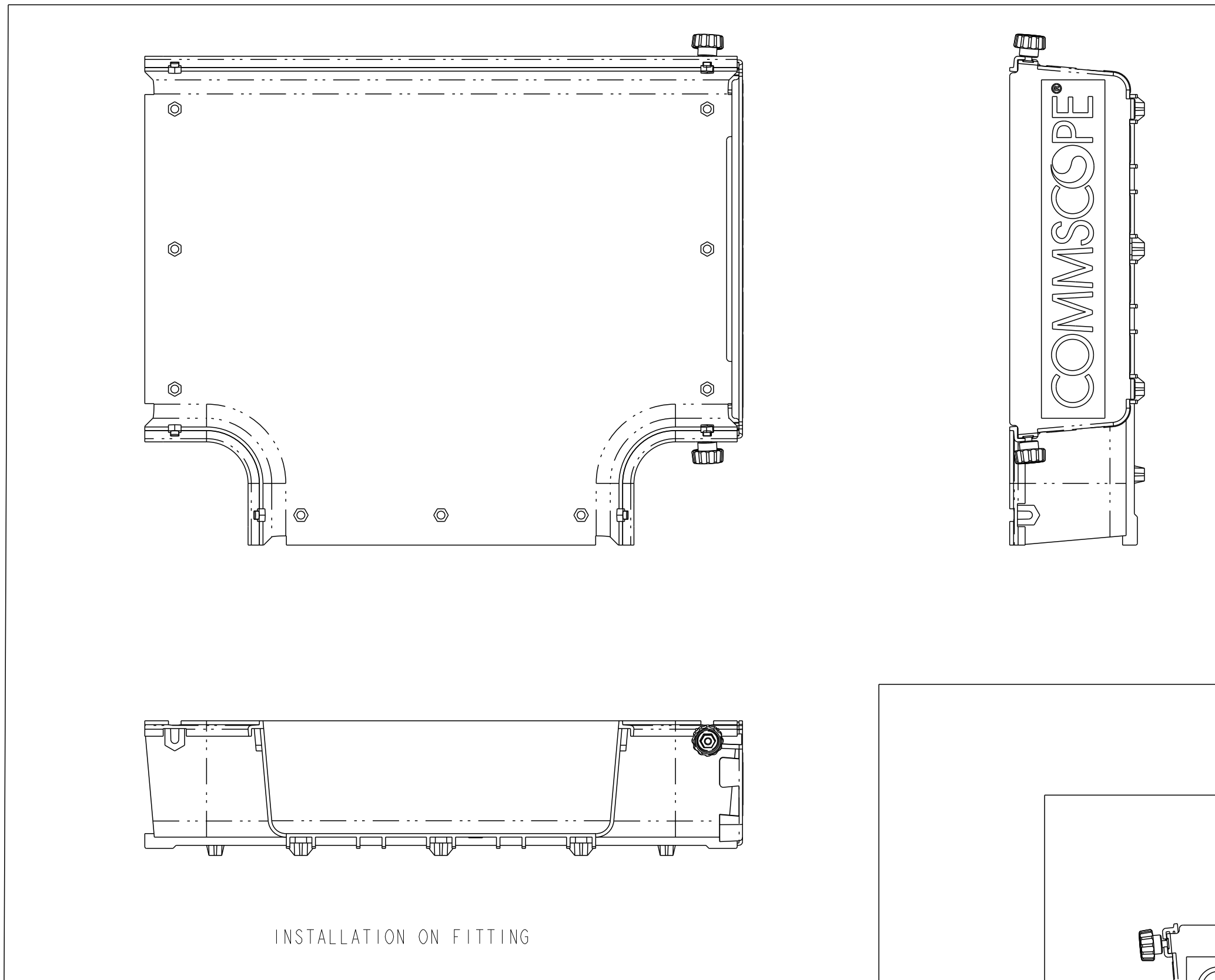


REVISIONS			
REV	CMO	DATE	APPROVED
B	40032097MCO	14-JUL-16	VFV
C	40098975CMO	04-NOV-2019	ODVL

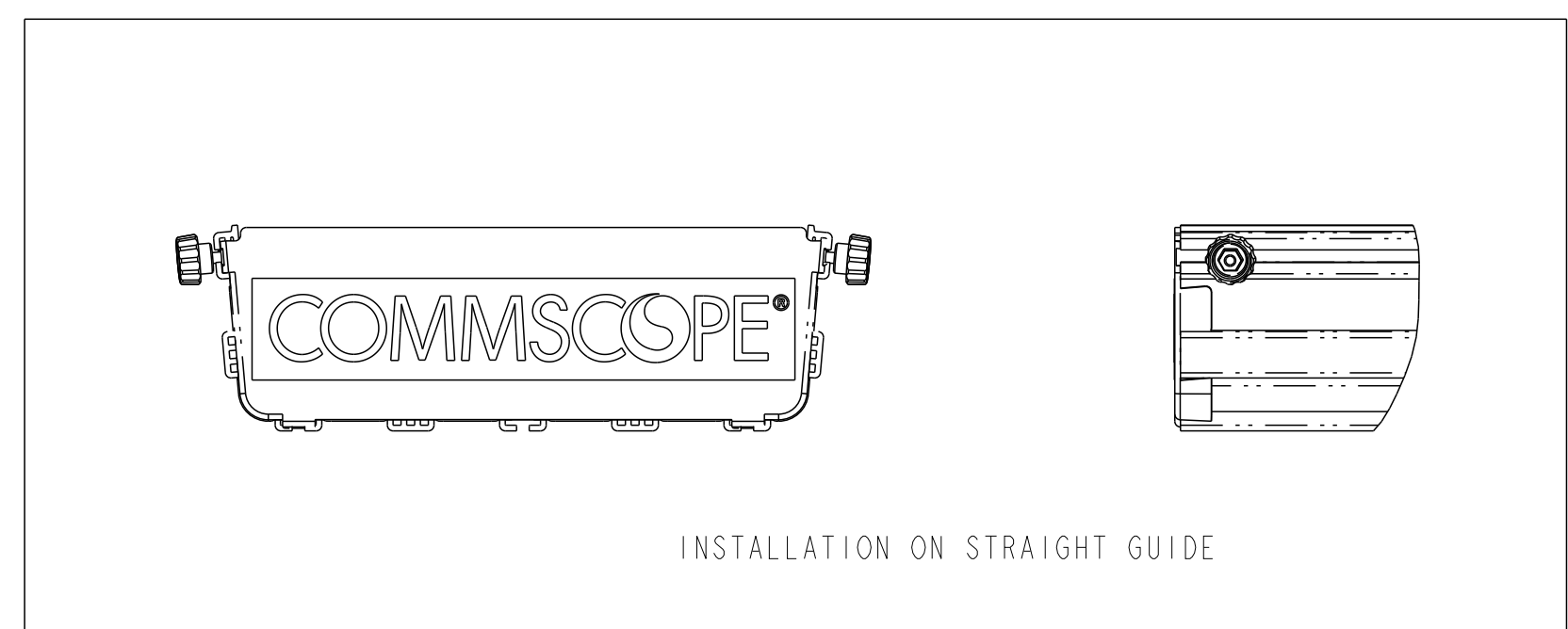


INSTALLATION ON FITTING

KEY

————— COMPONENTS INCLUDED IN KIT

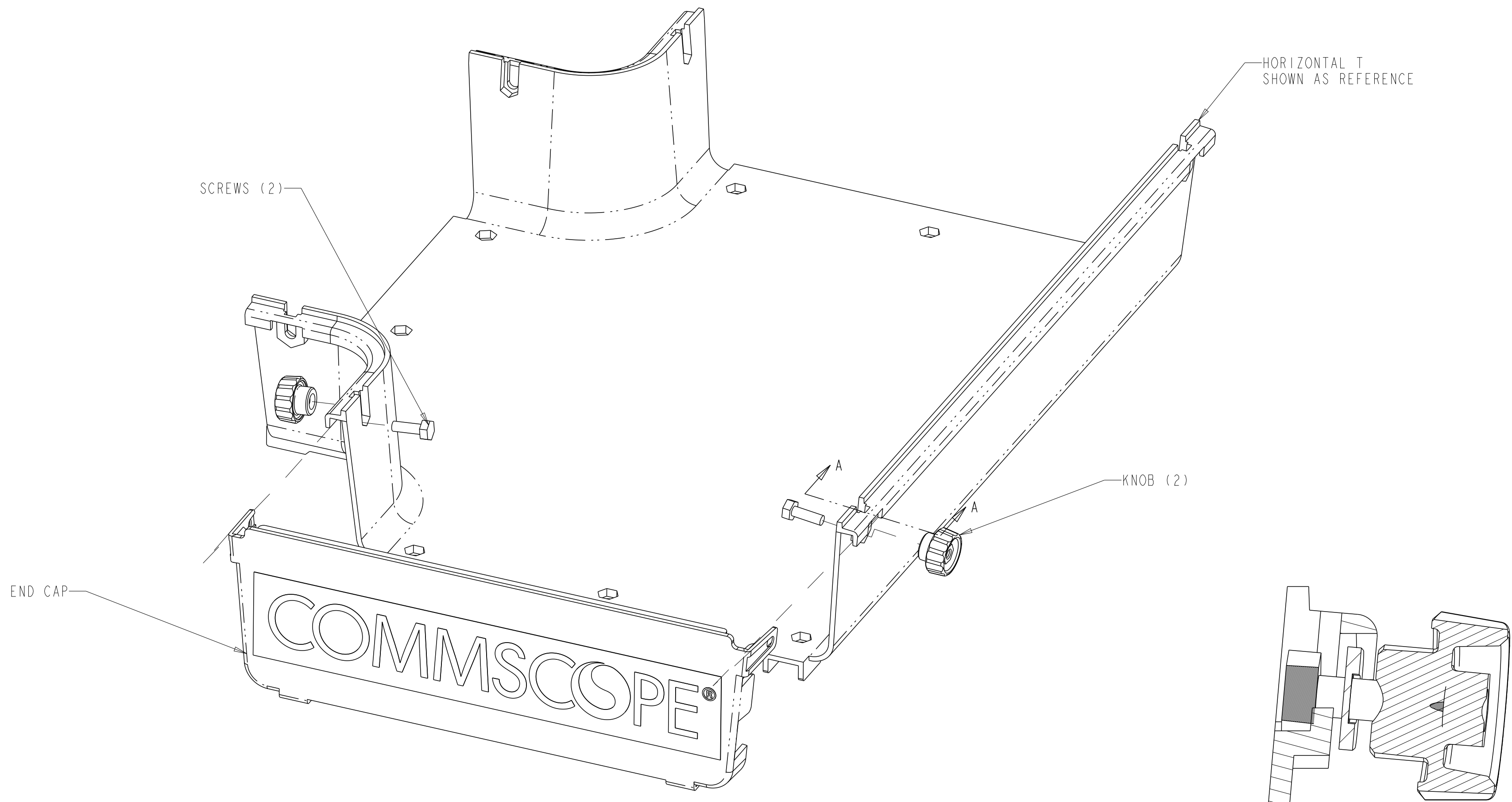
- - - - - COMPONENTS NOT INCLUDED IN KIT



INSTALLATION ON STRAIGHT GUIDE

FGS-HMEC-F	BLACK
FGS-HMEC-F-Y	YELLOW
CATALOG NUMBER	ENDCAP

COMMSCOPE, INC.			
DRAFTER J. GABRIEL NERI		TITLE FGS 4 X 12 END CAP INSTALLATION DRAWING	
ENGINEER RUBEN ARVILLA		SIZE A2	SCALE 0.250
		DOCUMENT NO. 1344054_ADC	
CUSTOMER DRAWING			REVISION C
			SHEET 1 OF 2



SCREWS (2)

HORIZONTAL T
SHOWN AS REFERENCE

KNOB (2)

END CAP

COMMSCOPE®

SCALE 0.500

SECTION A-A
SCALE 2.000

NOTES:

1. INSERT END CAP INTO HORIZONTAL T GUIDE AS SHOWN
2. INSERT SCREWS (2) INTO SLOTS ON HORIZONTAL T AS SHOWN
3. PLACE KNOBS (2) ON SCREWS AND TIGHTEN SCURELY.

COMMSCOPE, INC.			
DRAFTER J. GABRIEL NERI		TITLE FGS 4 X 12 END CAP INSTALLATION DRAWING	
ENGINEER RUBEN ARVILLA		SIZE A2	SCALE 0.250
		DOCUMENT NO. 1344054_ADC	
CUSTOMER DRAWING			REVISION C
			SHEET 2 OF 2