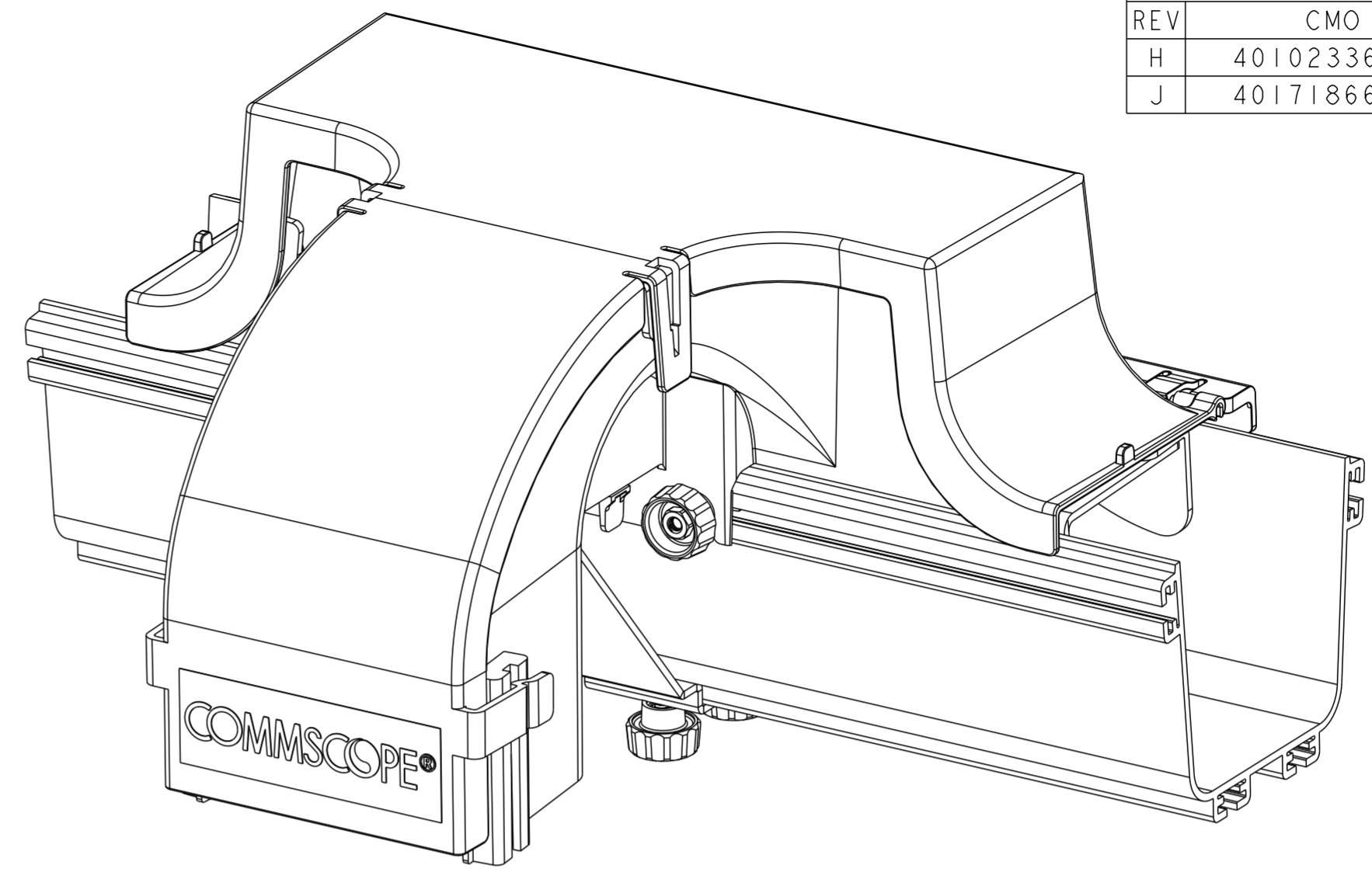
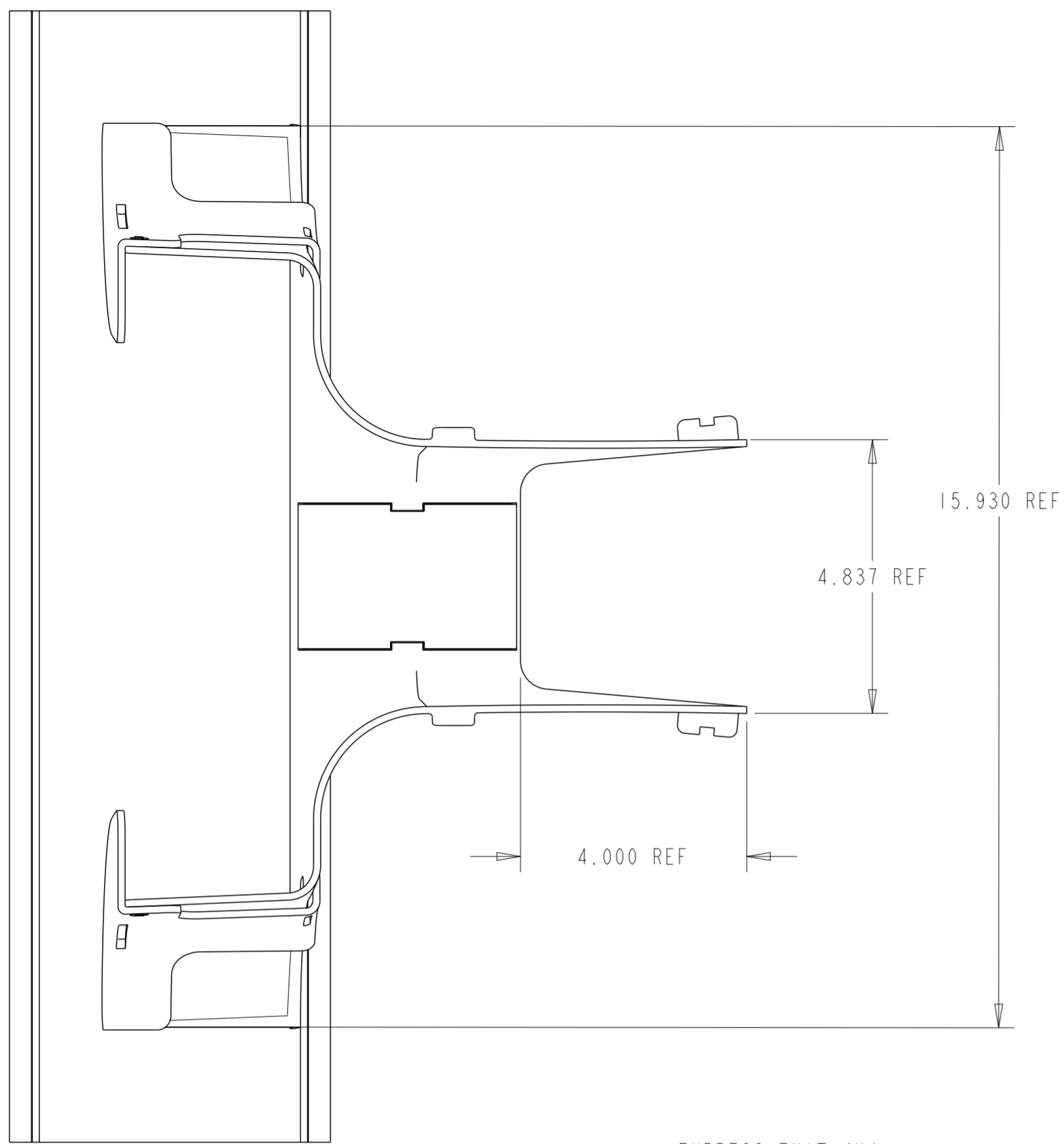


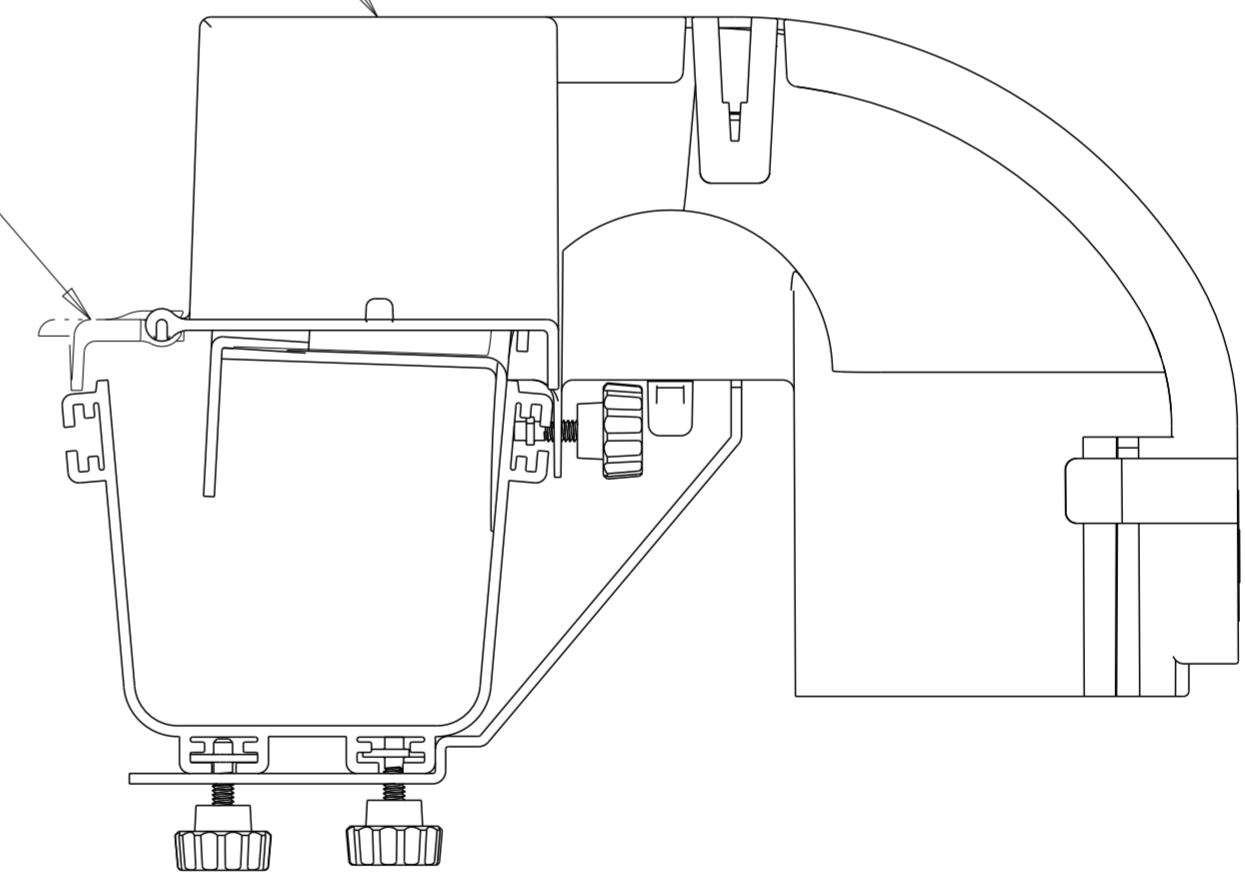
REVISIONS			
REV	CMO	DATE	APPROVED
H	40102336CMO	29-DEC-16	OAVL
J	40171866CMO	24-AUG-2023	MAM



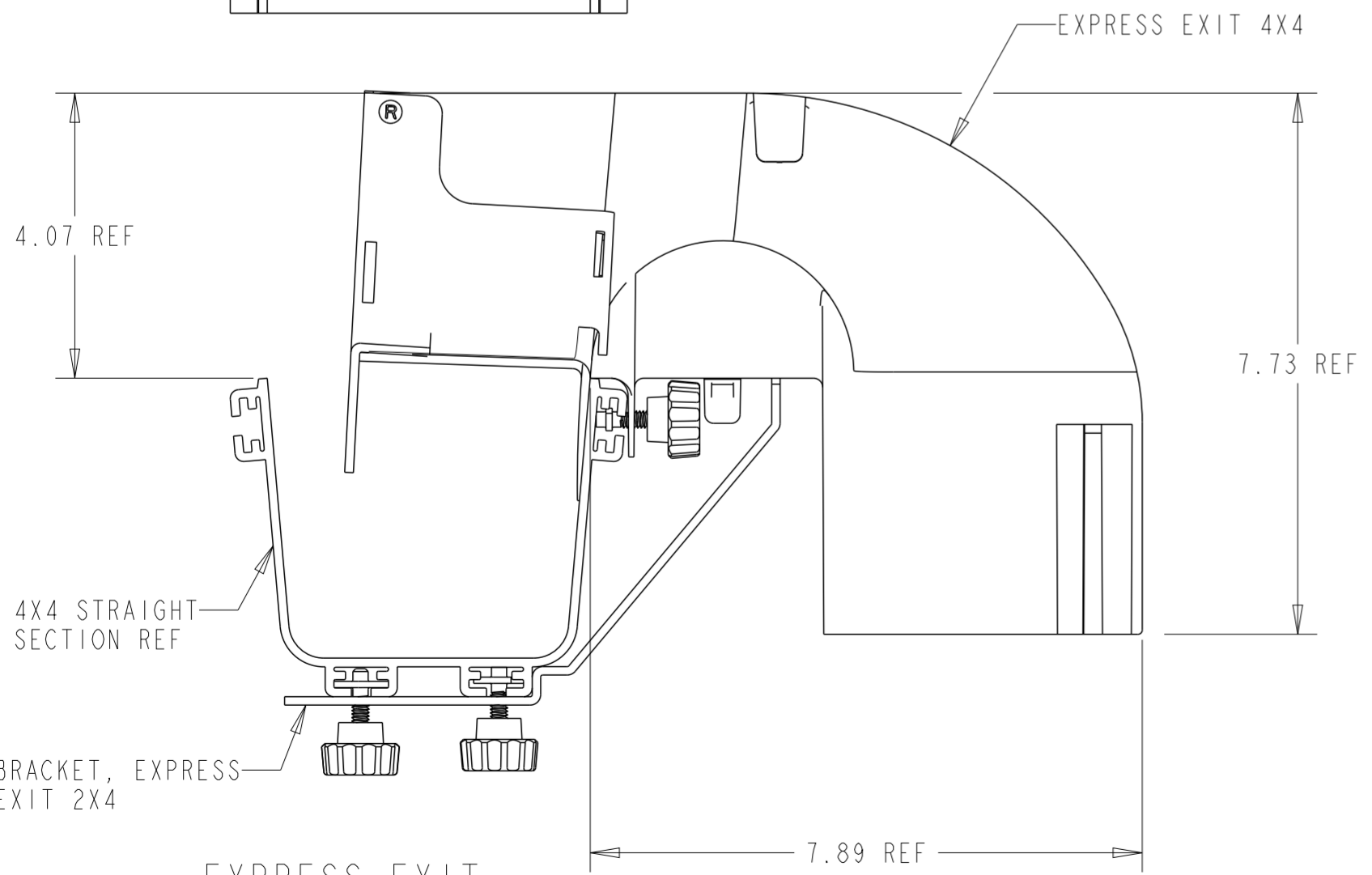
ISO VIEW
SCALE 0.450

1 COVER, EXPRESS EXIT 4X4

COVER EXTENSION
4X4 FLIP COVER
FGS-MEXC-E-A
(NOT INCLUDED IN KIT)



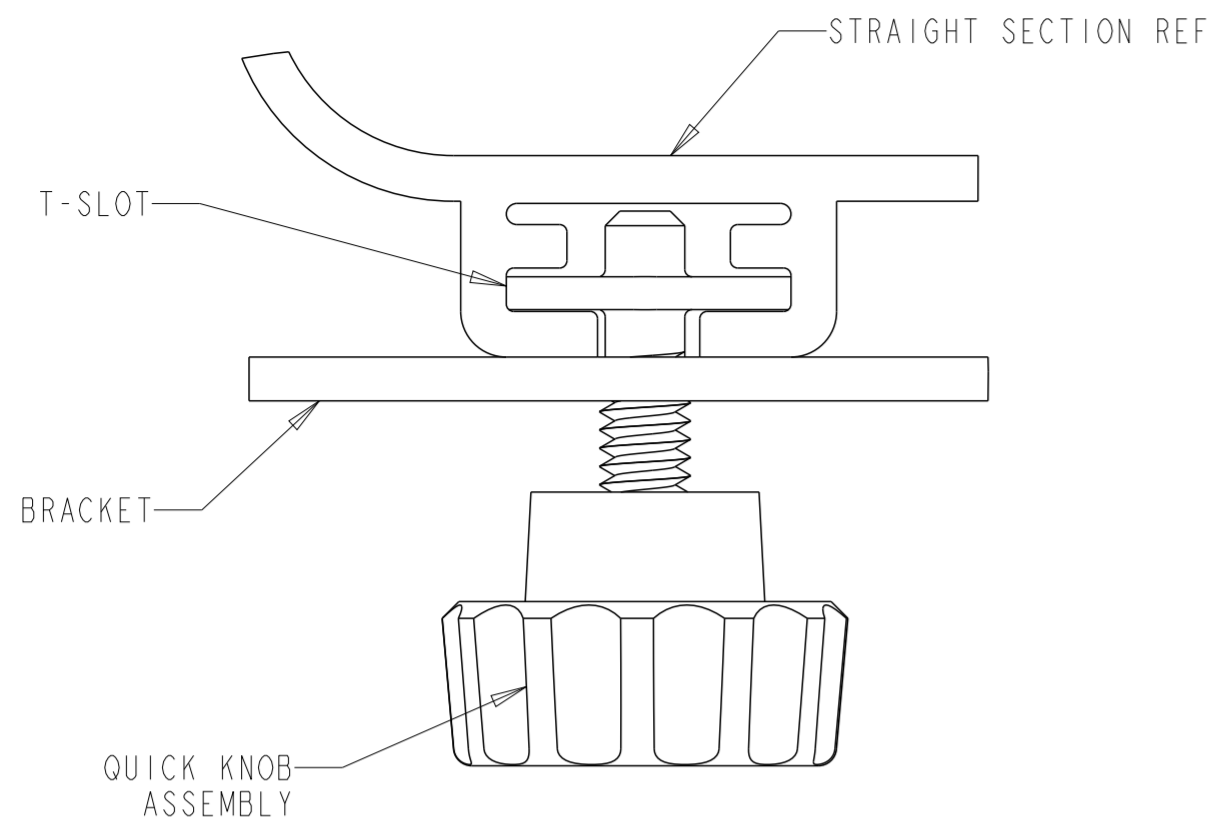
FLIP COVER OPEN VIEW
SCALE 0.450



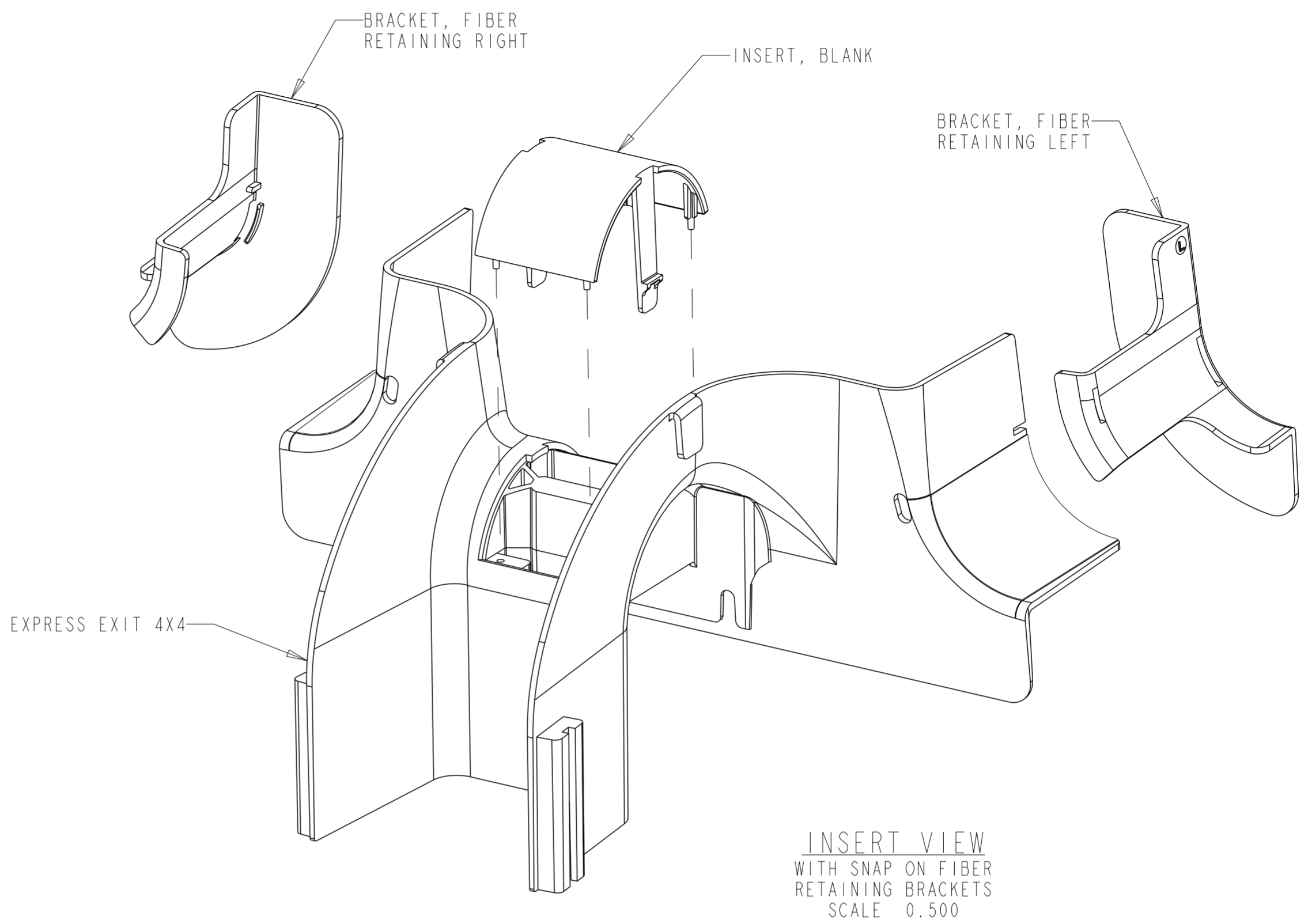
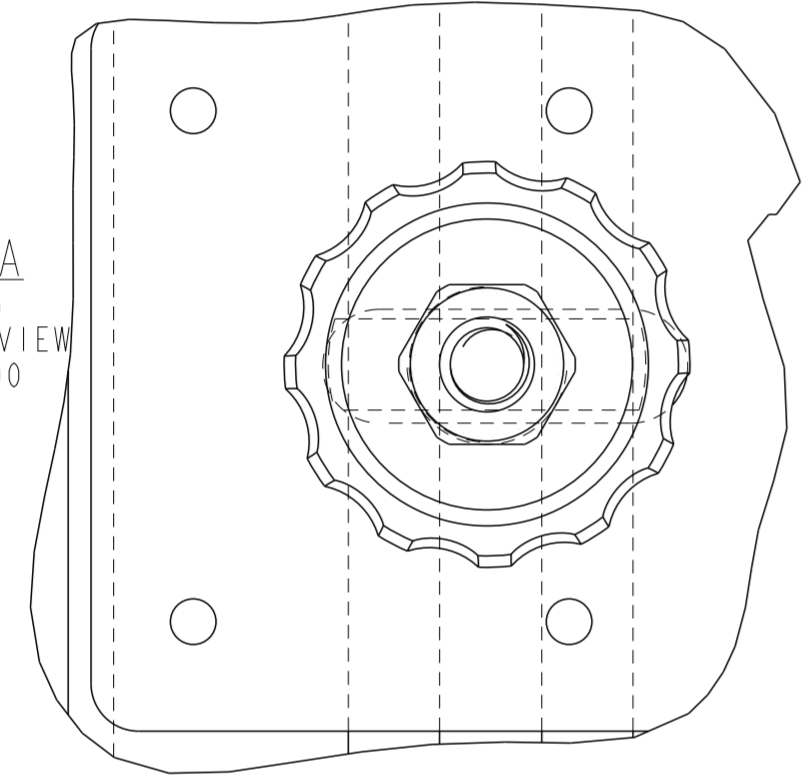
EXPRESS EXIT
ON TROUGH VIEW
SCALE 0.450

FGS-MEXP-E-ABF-NC	2	YELLOW
FGSB-MEXP-E-A/B/F	1	BLACK
FGS-MEXP-E-A/B/F	1	YELLOW
CATALOG NO.	COMPONENT LIST	COLOR

COMMSCOPE, INC.			
DRAFTER HECTOR UREÑO	TITLE KIT, BRACKET, RESTRAINING, L/R, FGS (CUSTOMER DRAWING)		
ENGINEER RUBEN ARVILLA	SIZE A2	SCALE 1.000	DOCUMENT NO. 1147583_ADC
CUSTOMER DRAWING			REVISION SHEET J 1 OF 5



DETAIL A
QUICK KNOB
INSTALLATION VIEW
SCALE 1.900



INSERT VIEW
WITH SNAP ON FIBER
RETAINING BRACKETS
SCALE 0.500

INSTALLATION INSTRUCTIONS:

1. CHECK COMPONENT LIST TO SEE IF COVER IS AVAILABLE ON THIS KIT.
2. PLACE FIBER RETAINING BRACKETS ON EXPRESS EXIT BY ALIGNING RAISED TAB ON BRACKET WITH CUT OUT ON EXPRESS EXIT AND ROTATE TOWARDS EXPRESS EXIT UNTIL SNAPPED INTO PLACE. (OPTIONAL)
3. INSTALL REMOVEABLE INSERT OF CHOICE (BLANK, RIGHT OR LEFT) BY DEPRESSING TABS AND SLIDING INTO PLACE WHILE ALIGNING PINS. IF PINS DO NOT MATCH HOLES, ROTATE INSERT 180°; HOLES ARE OFFSET TO PROVIDE CORRECT PLACEMENT.
4. PLACE EXPRESS EXIT 4X4 ON STRAIGHT SECTION AS SHOWN.
5. LIFT ONE END OF EXPRESS EXIT 4X4 AND INSTALL QUICK KNOBS INTO T-SLOT, LOWER EXPRESS EXIT ONTO STRAIGHT SECTION. REPEAT FOR OTHER SIDE. ROTATE QUICK KNOBS CLOCKWISE SUCH THAT T-BOLT FLANGES EXTEND INTO T-SLOT. LOOSELY HAND TIGHTEN QUICK KNOBS. SEE DETAIL A.

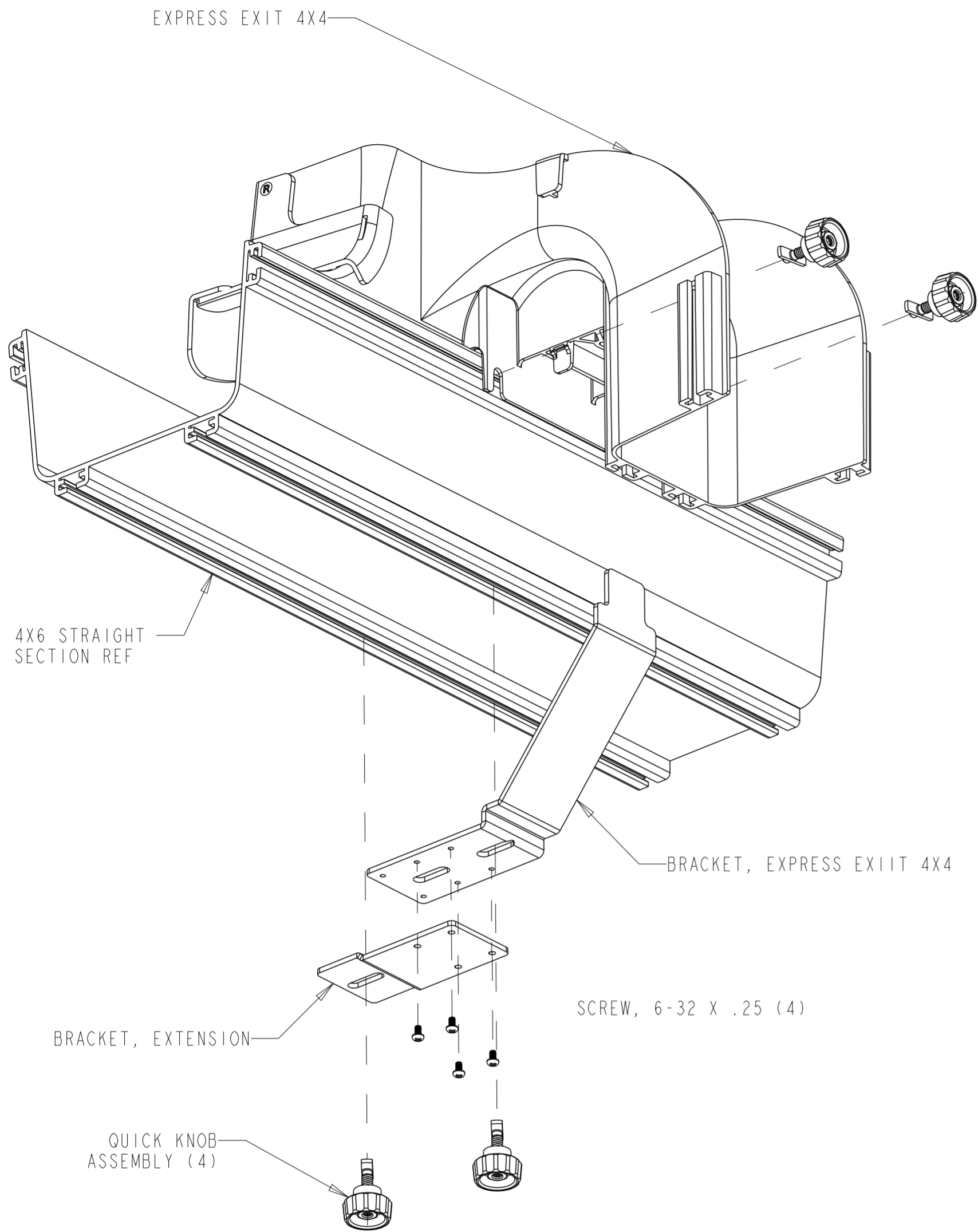
*WARNING: IF EXPRESS EXIT IS REMOVED FROM STRAIGHT SECTION WHILE QUICK KNOBS ARE INSTALLED, QUICK KNOBS WILL FALL OUT.
6. ATTACH EXTENSION BRACKET TO EXPRESS EXIT USING 6-32 X .25 LONG SCREWS. (4X6 AND 4X12 STRAIGHT SECTION ONLY)
7. INSERT QUICK KNOBS THROUGH BRACKET, ROTATE 90° AND INTO T-SLOT IN STRAIGHT SECTION WHILE INSERTING BRACKET INTO EXPRESS EXIT SLOT. ROTATE QUICK KNOBS CLOCKWISE SUCH THAT T-BOLT FLANGES EXTEND INTO T-SLOT. SEE DETAIL A.
8. TIGHTEN (4) QUICK KNOBS COMPLETELY.

9. ONLY AVAILABLE IN CATALOG FGS-MEXP-E-A/B/F

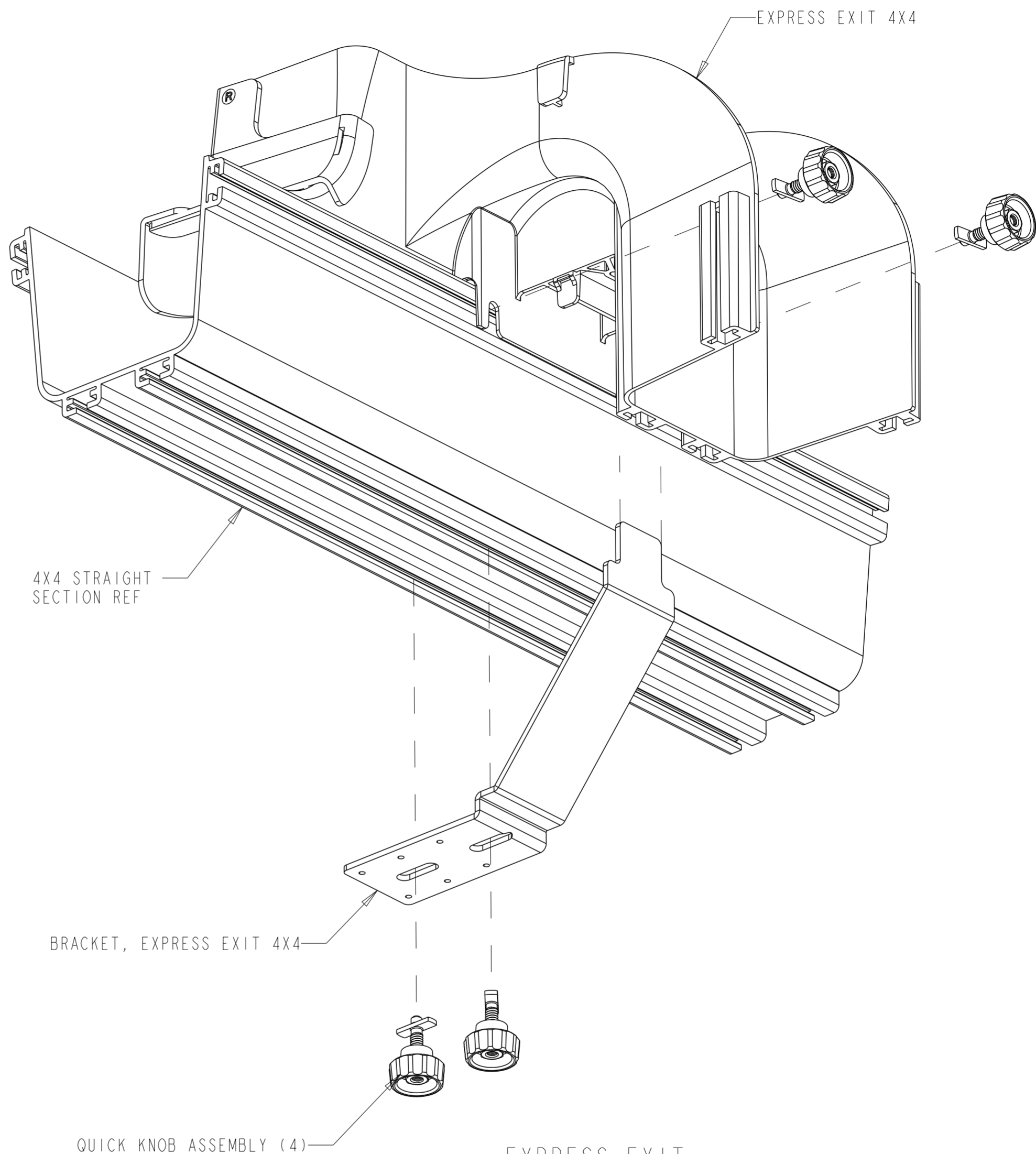
COMPONENT LIST #1	
DESCRIPTION	QTY
EXPRESS EXIT 4X4	1
COVER, EXPRESS EXIT 2X4	1
BRACKET, RETAINING FIBER RIGHT	1
BRACKET, RETAINING FIBER LEFT	1
INSERT, BLANK REMOVEABLE	1
INSERT, RIGHT REMOVEABLE	1
INSERT, LEFT REMOVEABLE	1
BRACKET, EXPRESS EXIT 4X4	1
BRACKET, EXTENSION 6" & 12" FGS	1
BRACKET, EXTENSION 18" & 24" FGS 9	1
QUICK KNOB ASSEMBLY	4
SCREW, 6-32 X .25	4

COMPONENT LIST # 2	
DESCRIPTION	QTY
EXPRESS EXIT 4X4	1
BRACKET, RETAINING FIBER RIGHT	1
BRACKET, RETAINING FIBER LEFT	1
INSERT, BLANK REMOVEABLE	1
INSERT, RIGHT REMOVEABLE	1
INSERT, LEFT REMOVEABLE	1
BRACKET, EXPRESS EXIT 4X4	1
BRACKET, EXTENSION	1
QUICK KNOB ASSEMBLY	4
SCREW, 6-32 X .25	4

COMMSCOPE, INC.			
DRAFTER HECTOR UREÑO	TITLE KIT, BRACKET, RESTRAINING, L/R, FGS (CUSTOMER DRAWING)		
ENGINEER RUBEN ARVILLA	SIZE A2	SCALE 1.000	DOCUMENT NO. 1147583_ADC
CUSTOMER DRAWING			REVISION J
			SHEET 2 OF 5

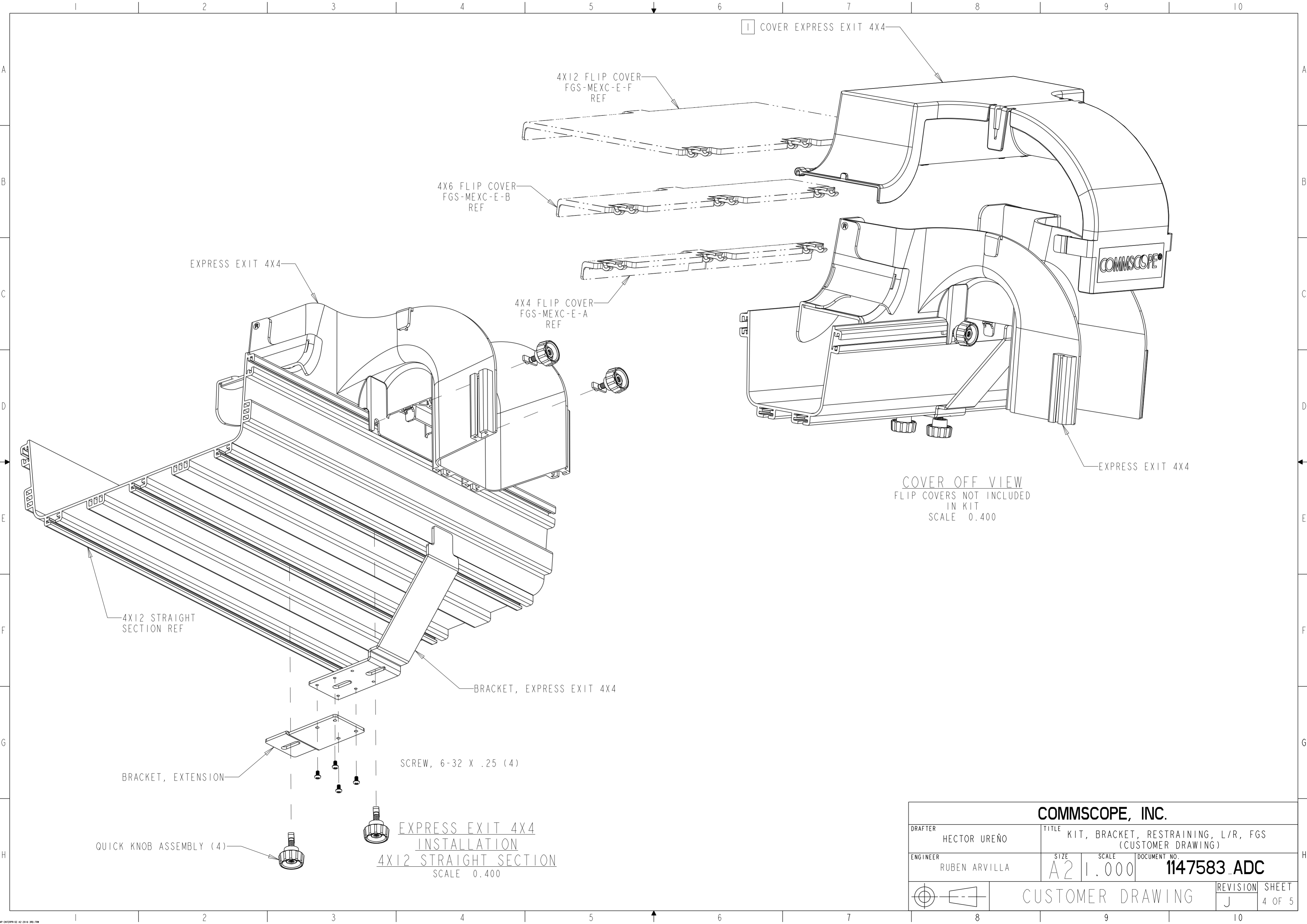


EXPRESS EXIT 4X4
INSTALLATION
4X6 STRAIGHT SECTION
SCALE 0.400



EXPRESS EXIT
4X4 INSTALLATION
4X4 STRAIGHT SECTION
SCALE 0.500

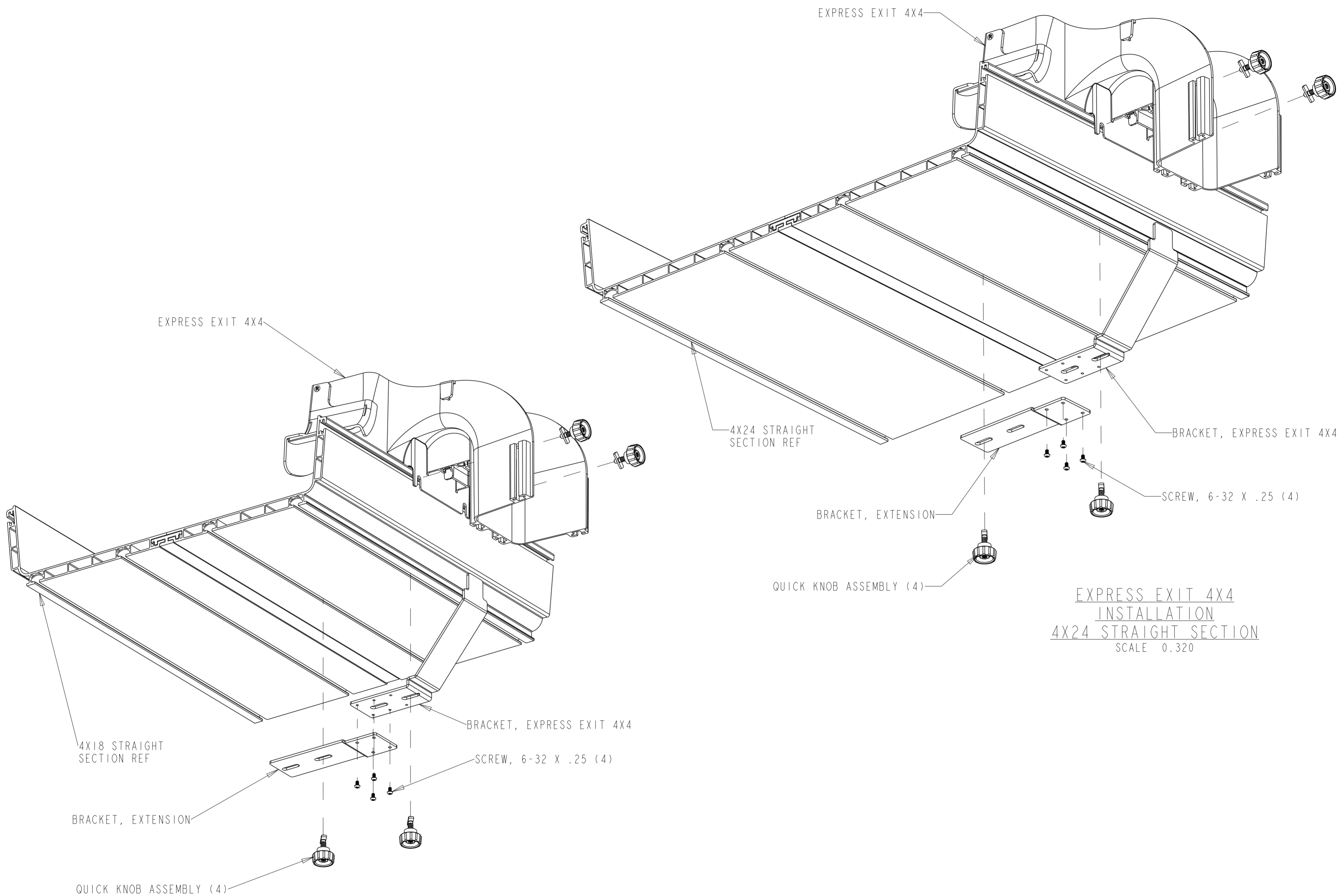
COMMSCOPE, INC.			
DRAFTER HECTOR UREÑO	TITLE KIT, BRACKET, RESTRAINING, L/R, FGS (CUSTOMER DRAWING)		
ENGINEER RUBEN ARVILLA	SIZE A2	SCALE 1.000	DOCUMENT NO. 1147583_ADC
CUSTOMER DRAWING			REVISION J
			SHEET 3 OF 5



COVER OFF VIEW
 FLIP COVERS NOT INCLUDED
 IN KIT
 SCALE 0.400

EXPRESS EXIT 4X4
 INSTALLATION
 4X12 STRAIGHT SECTION
 SCALE 0.400

COMMSCOPE, INC.			
DRAFTER HECTOR UREÑO	TITLE KIT, BRACKET, RESTRAINING, L/R, FGS (CUSTOMER DRAWING)		
ENGINEER RUBEN ARVILLA	SIZE A2	SCALE 1.000	DOCUMENT NO. 1147583_ADC
CUSTOMER DRAWING			REVISION J
			SHEET 4 OF 5



EXPRESS EXIT 4X4
 INSTALLATION
 4X24 STRAIGHT SECTION
 SCALE 0.320

EXPRESS EXIT 4X4
 INSTALLATION
 4X18 STRAIGHT SECTION

COMMSCOPE, INC.			
DRAFTER HECTOR UREÑO	TITLE KIT, BRACKET, RESTRAINING, L/R, FGS (CUSTOMER DRAWING)		
ENGINEER RUBEN ARVILLA	SIZE A2	SCALE 0.036	DOCUMENT NO. 1147583_ADC
CUSTOMER DRAWING			REVISION J
			SHEET 5 OF 5