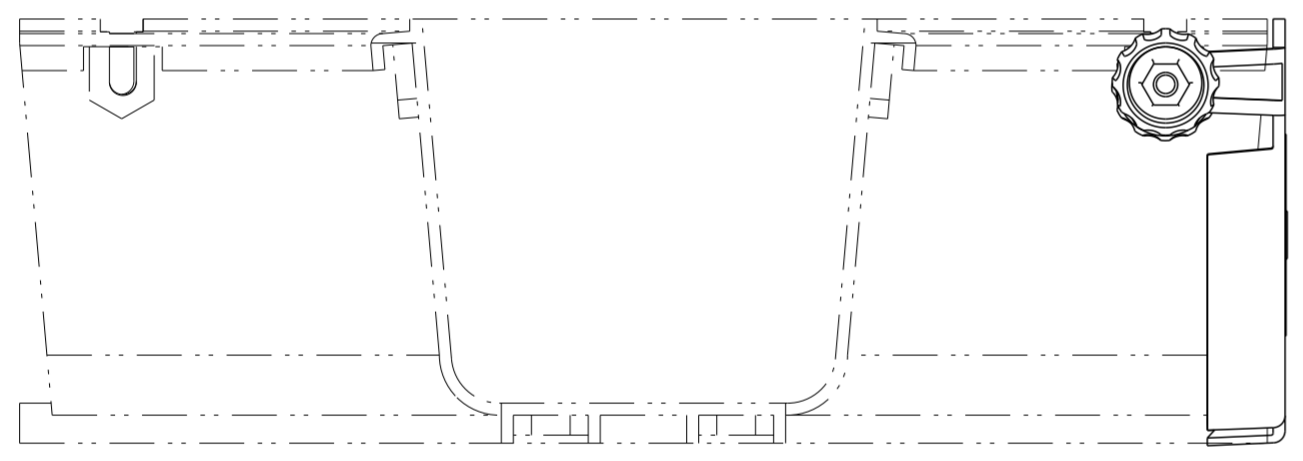
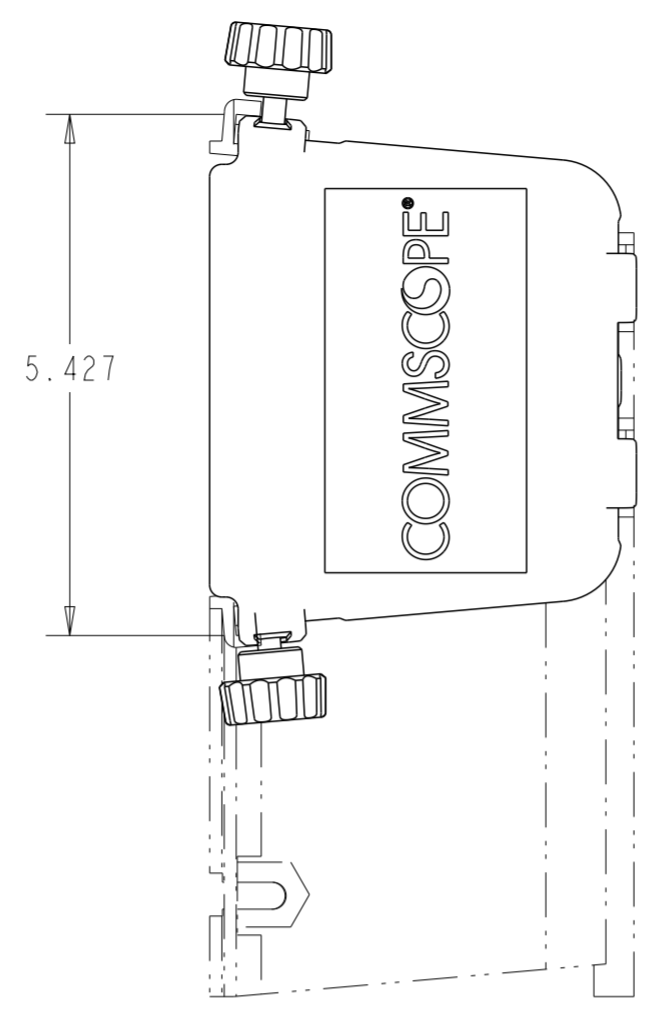
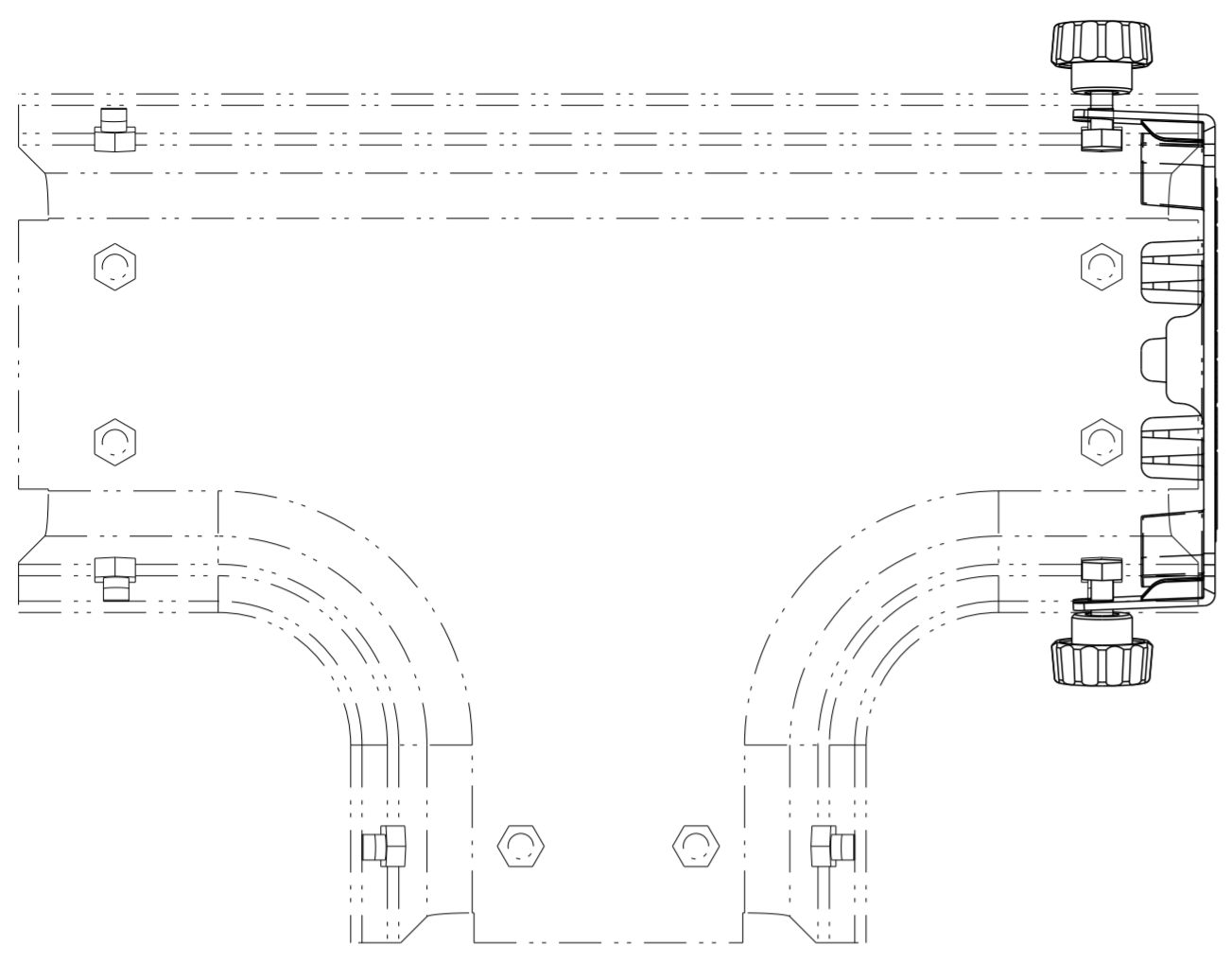
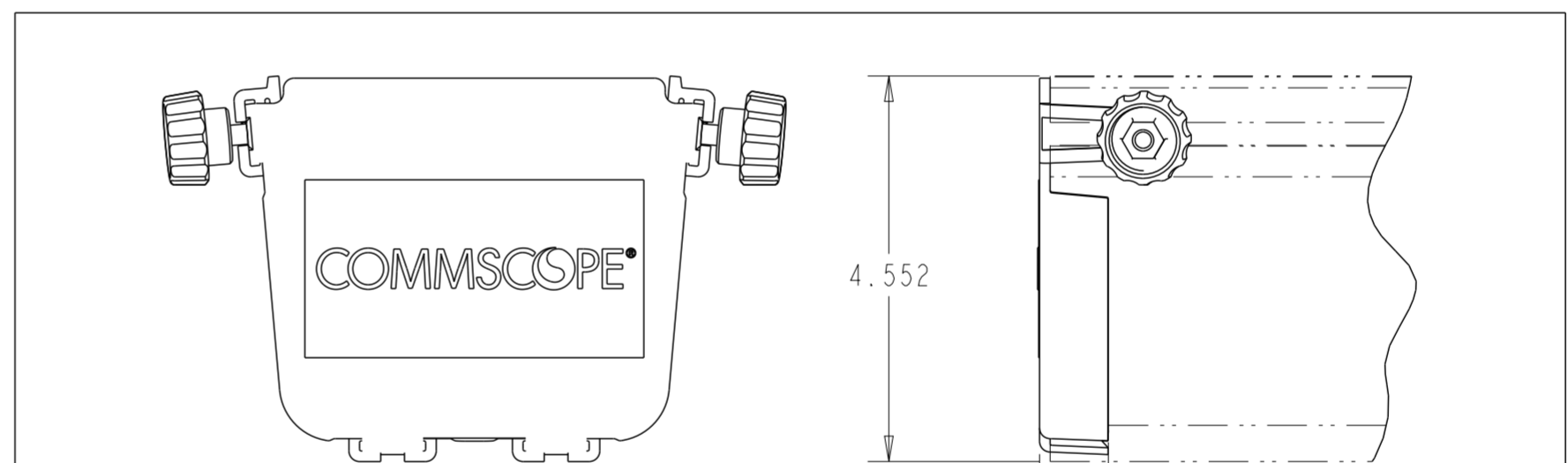


REVISIONS			
REV	CMO	DATE	APPROVED
C	40098975CMO	05-NOV-2019	ODVL
D	40144704CMO	10-MAR-2022	RAT



INSTALLATION ON FITTING



INSTALLATION ON STRAIGHT GUIDE

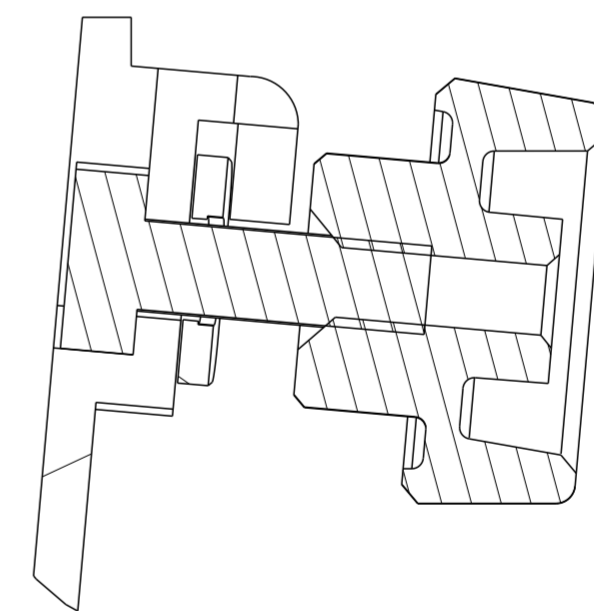
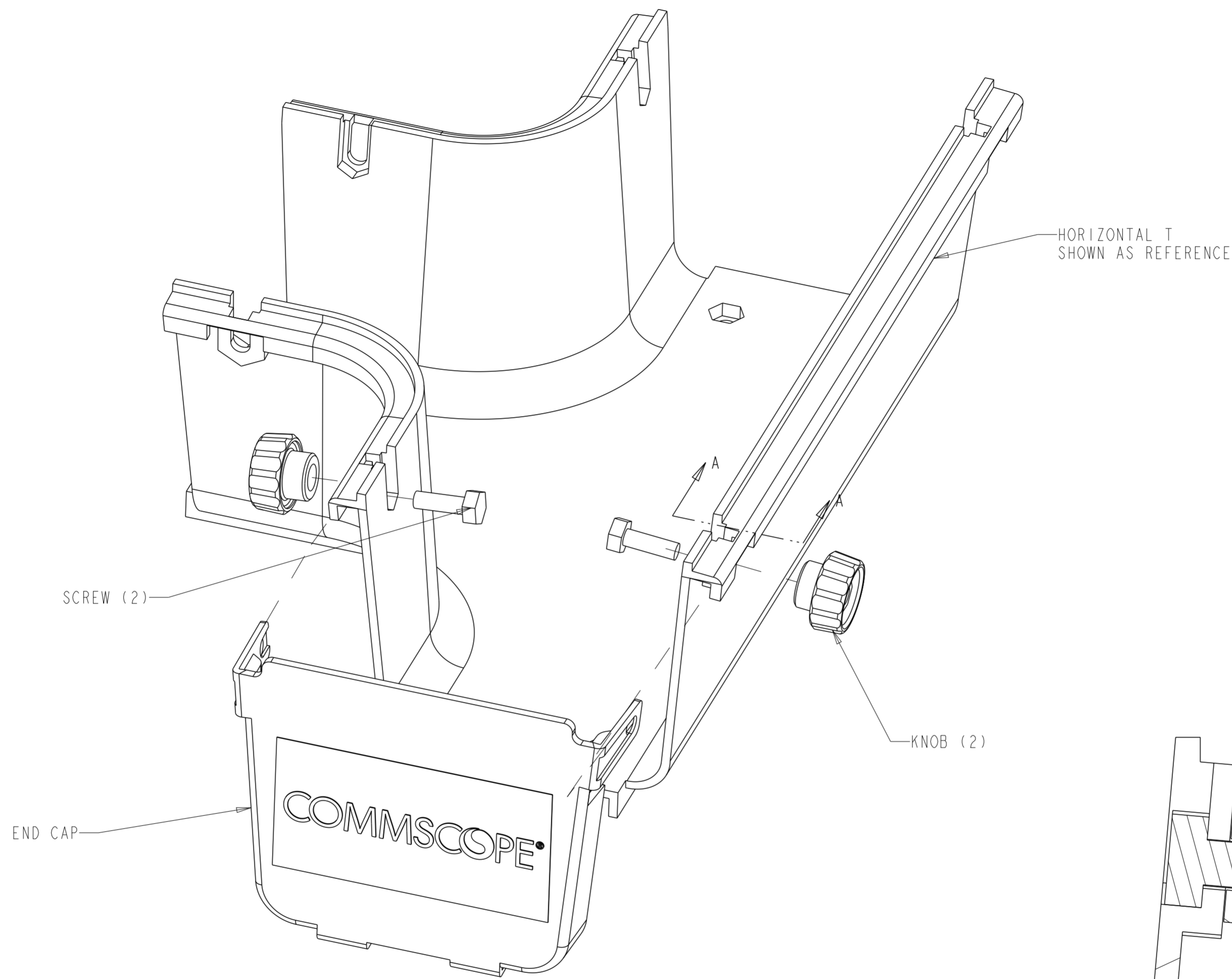
KEY

————— COMPONENTS INCLUDED IN KIT

- - - - - COMPONENTS NOT INCLUDED IN KIT

FGS-HMEC-A-DE19	BLACK
FGS-HMEC-A	BLACK
FGS-HMEC-A-Y	YELLOW
CATALOG NO.	ENDCAP

COMMSCOPE, INC.			
DRAFTER ED SANSONE	TITLE FGS 4X4 END COVER INSTALLATION DRAWING		
ENGINEER RUBEN ARVILLA	SIZE A2	SCALE 0.500	DOCUMENT NO. 1011625_ADC
CUSTOMER DRAWING			REVISION D
			SHEET 1 OF 2



SECTION A-A  
SCALE 2.000

**NOTES:**

1. INSERT END CAP INTO HORIZONTAL T GUIDE AS SHOWN
2. INSERT SCREWS (2) INTO SLOTS ON HORIZONTAL T AS SHOWN
3. PLACE KNOBS (2) ON SCREWS AND TIGHTEN SCURELY.

<b>COMMSCOPE, INC.</b>			
DRAFTER ED SANSONE		TITLE FGS 4X4 END COVER INSTALLATION DRAWING	
ENGINEER RUBEN ARVILLA		SIZE A2	SCALE 0.750
		DOCUMENT NO. <b>1011625_ADC</b>	
CUSTOMER DRAWING		REVISION D	SHEET 2 OF 2