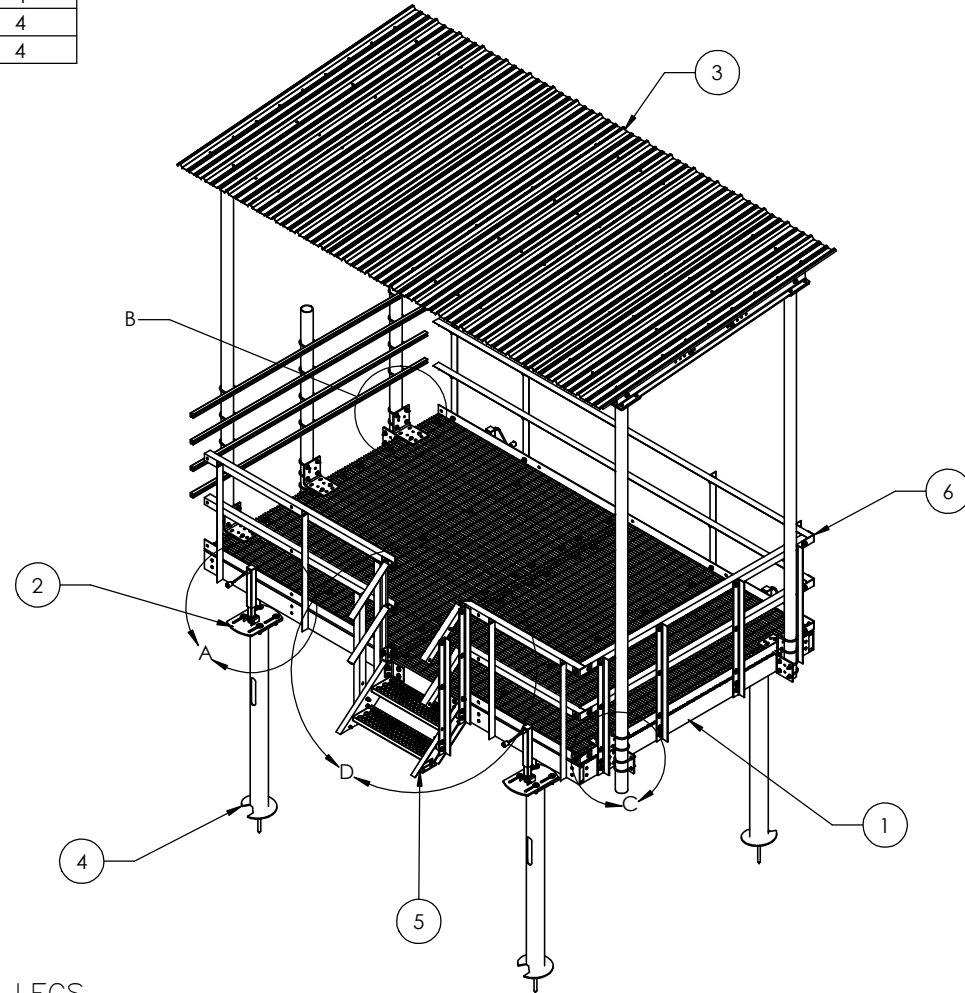


ITEM	PART NO.	DESCRIPTION	QTY.	WEIGHT	NOTE NO.
1	EQ-P1016-B	10' X 16' Equipment Platform	1	2205.60 LBS	4
2	MTC3705AL	ADJUSTABLE LEG KIT	4	64.8 LBS	4
3	MTC3705CB	16' X 10' CANOPY / H-FRAME	1	2192.30 LBS	4
4	ST-HB07	LIGHTING FOUNDATION 7 FT	4	173.71	4
5	EQ-STEP-2	STAIRS 2 STEPS w/ HANDRAIL	1	224.63 LBS	4
6	MTC3705HR	3 Sided Handrail 10' x 16'	1	685.86 LBS	4

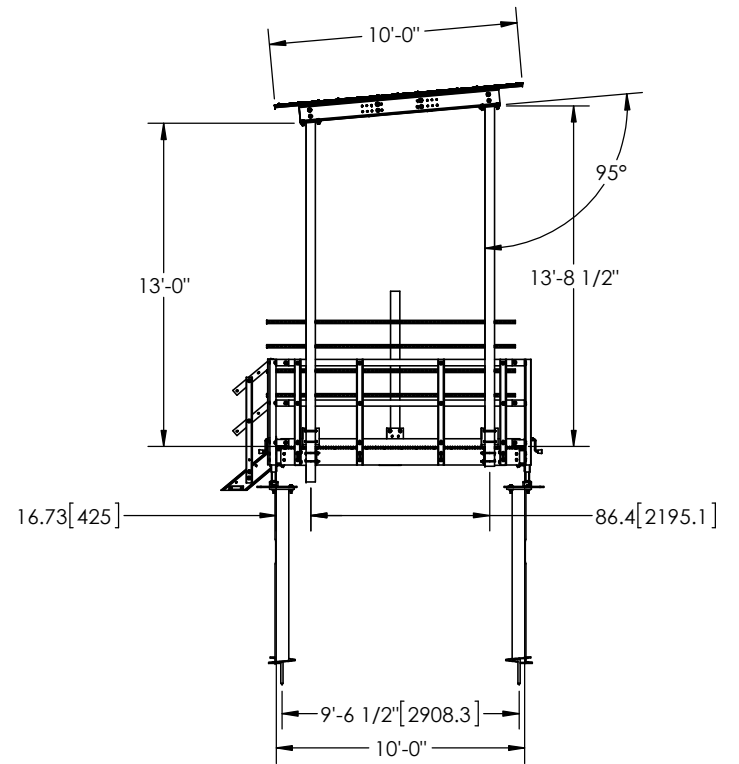
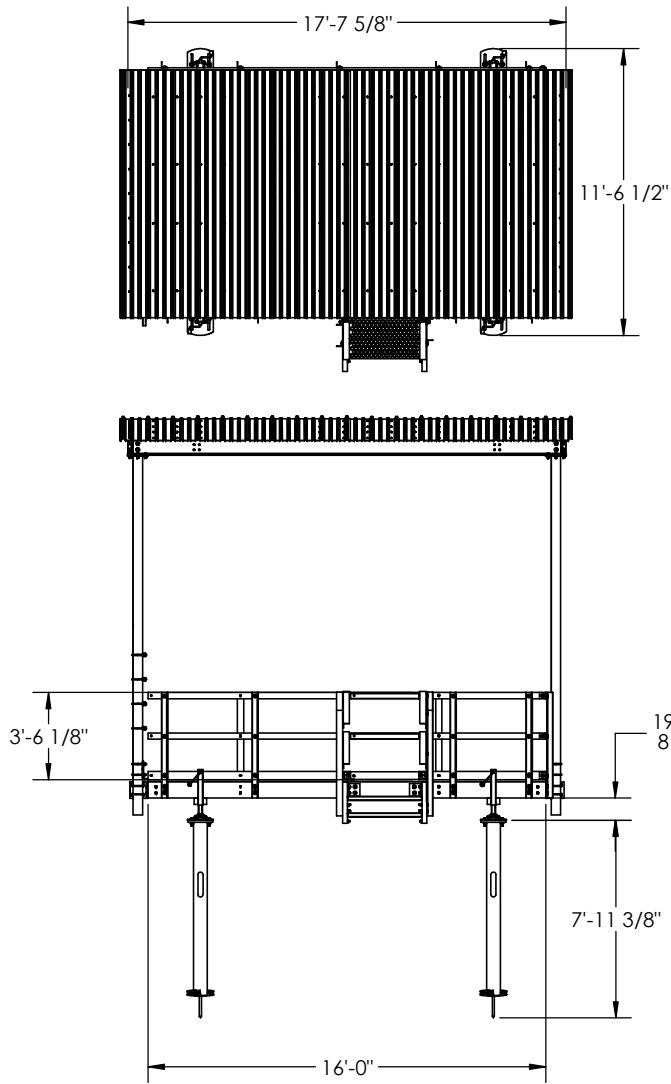
REVISIONS				
REV.	ECN	DESCRIPTION	BY	DATE
A	800007085	INITIAL RELEASE	MSM	04/14/15



NOTES:

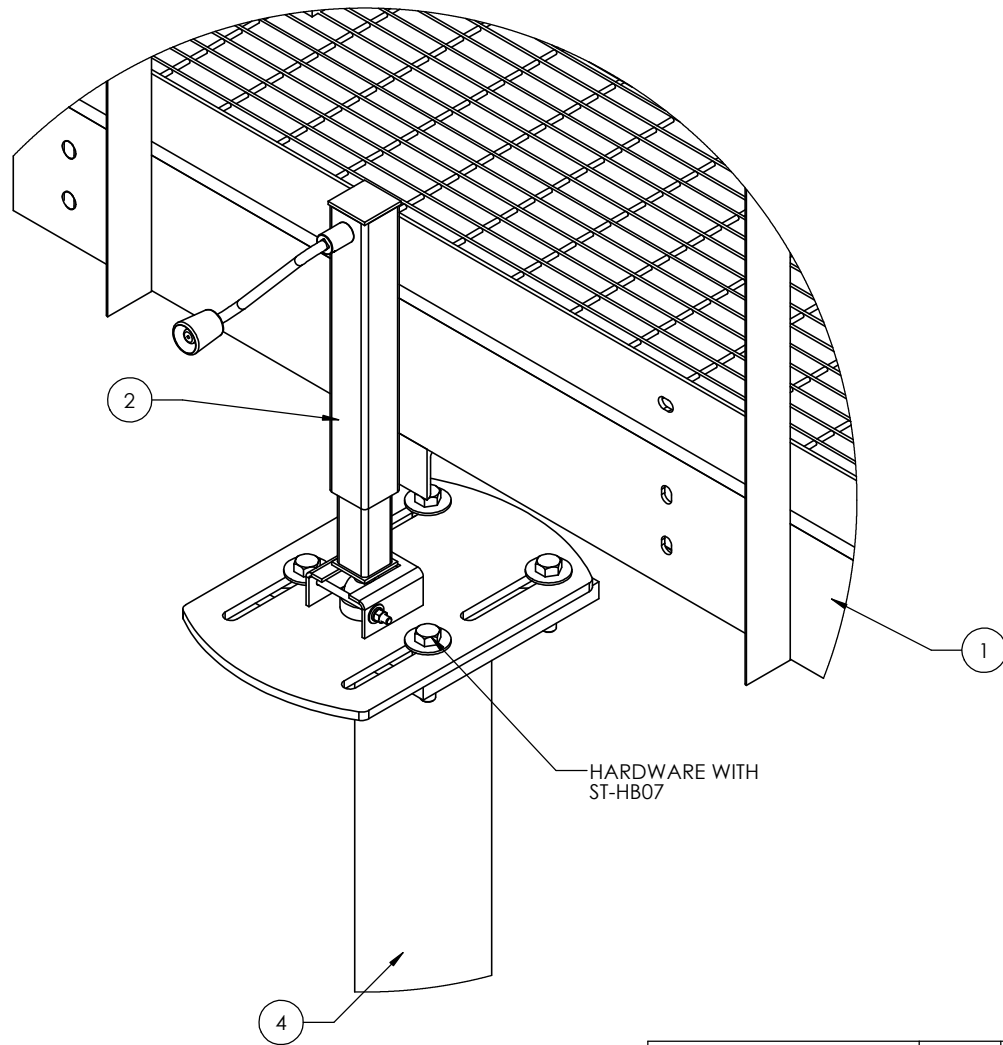
1. ALL METRIC DIMENSIONS ARE IN BRACKETS.
2. SHOWN WITH 2 STAIR STEPS, 11" ADJUSTABLE LEGS
3. CONTRACTOR TO FIELD CUT HANDRAIL FOR STEPS, COAT CUTS PER ASTM GALV A123.
4. REFER TO INDIVIDUAL ASSEMBLY SHEETS FOR ITEMS 1-6.
5. ASSEMBLY DETAILS SHEETS 2-4.

These drawings and specifications are the proprietary property of CommScope Inc. and may be used only for the specific purpose authorized in writing by CommScope Inc.		DRAWN BY: MSM	SHEET: 1 of 6	PART NUMBER: MTC3705
ALL DIMENSIONS ARE IN INCHES U.S.S. TOLERANCES UNLESS OTHERWISE SPECIFIED: .X = ± .12 ANGLES ± 2° .XX = ± .06 FRACTIONS ± 1/32 .XXX = ± .03		CHECKED BY: TP	SCALE: NTS	DESCRIPTION: 10 X 16 PLATFORM, HANDRAIL, CANOPY
REMOVE BURRS AND BREAK EDGES .005 DO NOT SCALE THIS PRINT		DATE: 12/09/14	MATERIAL: A36, A500, A529	DRAWING TYPE: ASSEMBLY DRAWING
		REVISION: A	MATERIAL: GALV A123	COMMSCOPE® Hickory, NC 28602 U.S.A.
			WEIGHT: 6278.75 LBS	



NOTES:
1. DIMENSIONS ±.25 UNLESS OTHERWISE NOTED.

These drawings and specifications are the proprietary property of Commscope Inc. and may be used only for the specific purpose authorized in writing by Commscope Inc.		Drawn by: MSM	Sheet: 2 of 6	Part Number: MTC3705
ALL DIMENSIONS ARE IN INCHES U.S.S. TOLERANCES UNLESS OTHERWISE SPECIFIED: .X = ± .12 ANGLES ±2" .XX = ± .06 FRACTIONS ±1/32 .XXX = ± .03		Checked by: TP	Scale: NTS	Description: 10 X 16 PLATFORM, HANDRAIL, CANOPY
REMOVE BURRS AND BREAK EDGES .005		Date: 12/09/14	Material: A36, A500, A529	Drawing Type: ASSEMBLY DRAWING
DO NOT SCALE THIS PRINT		Revision: A	Finish: GALV A123	 Hickory, NC 28602 U.S.A.
			Weight: 6278.75 LBS	



HARDWARE WITH
ST-HB07


DETAIL A
SCALE 1 : 6

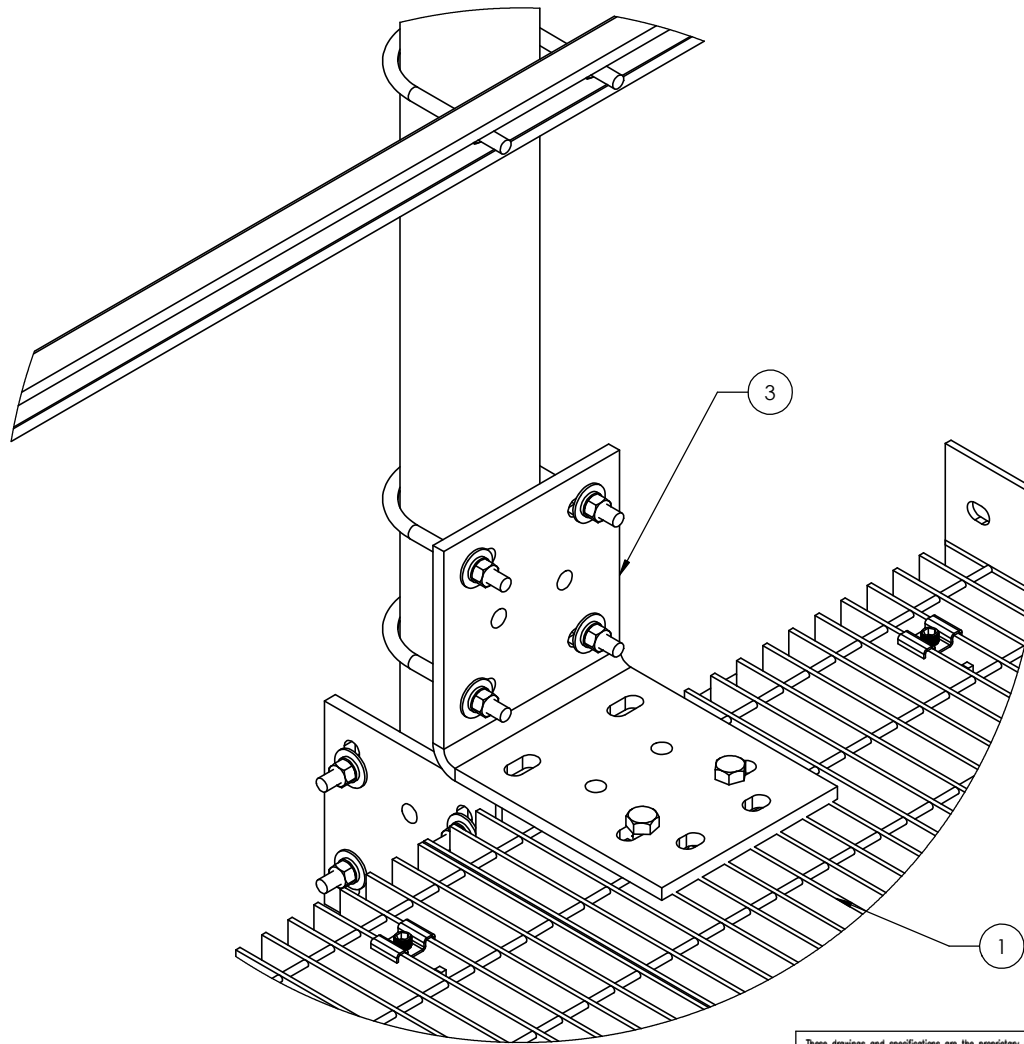
NOTES:
1. DIMENSION $\pm .25$ UNLESS OTHERWISE NOTED.

These drawings and specifications are the proprietary property of Commscope Inc. and may be used only for the specific purpose authorized in writing by Commscope Inc.

ALL DIMENSIONS ARE IN INCHES U.S.S.
TOLERANCES UNLESS OTHERWISE SPECIFIED:
.X = $\pm .12$ ANGLES $\pm 2^\circ$
.XX = $\pm .06$ FRACTIONS $\pm 1/32$
.XXX = $\pm .03$

REMOVE BURRS AND BREAK EDGES .005
DO NOT SCALE THIS PRINT

DESIGN BY: MSM	SHEET: 3 of 6	PART NUMBER: MTC3705
CHECKED BY: TP	SCALE: NTS	DESCRIPTION: 10 X 16 PLATFORM, HANDRAIL, CANOPY
DATE: 12/09/14	MATERIAL: A36, A500, A529	DRAWING TYPE: ASSEMBLY DRAWING
REVISION: A	FINISH: GALV A123	 Hickory, NC 28602 U.S.A.
	WEIGHT: 6278.75 LBS	



NOTES:
 1. DIMENSIONS $\pm .25$ UNLESS OTHERWISE NOTED.


DETAIL B
 SCALE 1 : 4

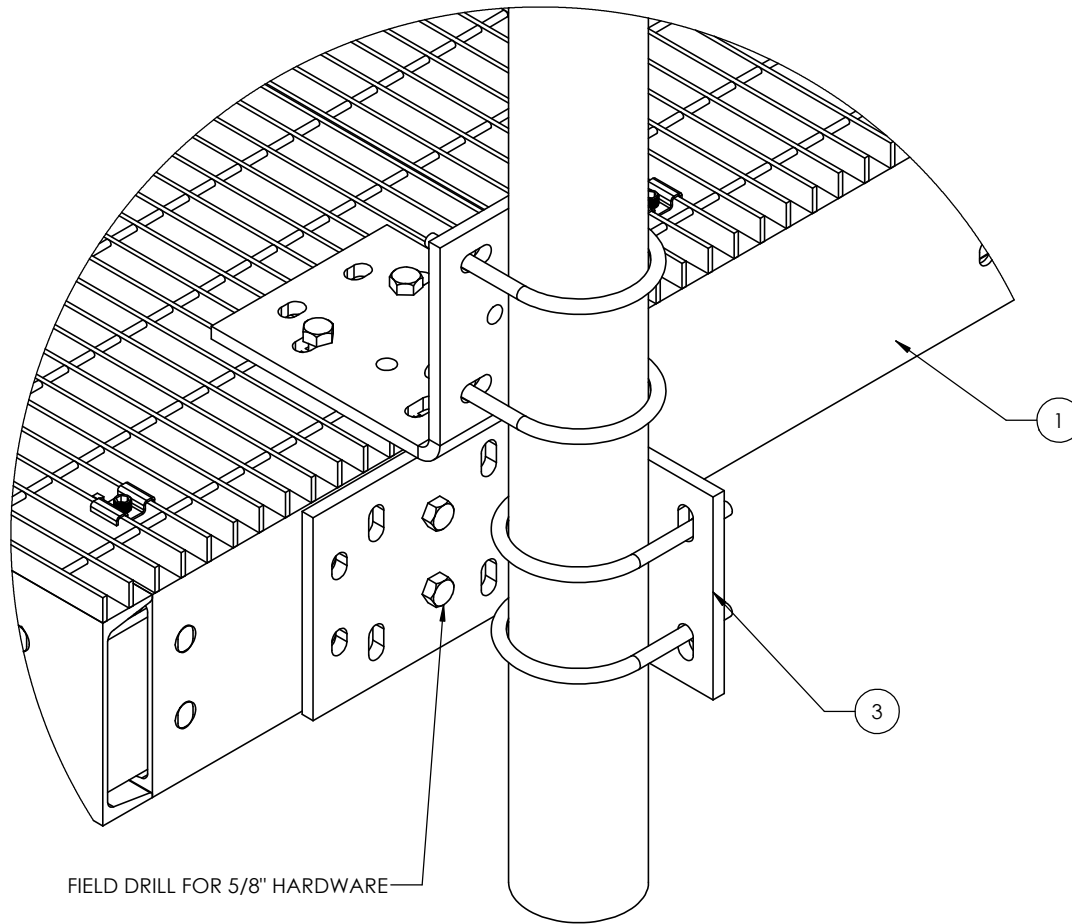
These drawings and specifications are the proprietary property of Commscope Inc. and may be used only for the specific purpose authorized in writing by Commscope Inc.

ALL DIMENSIONS ARE IN INCHES U.S.
 TOLERANCES UNLESS OTHERWISE SPECIFIED:
 .X = $\pm .12$ ANGLES $\pm 2^\circ$
 .XX = $\pm .06$ FRACTIONS $\pm 1/32$
 .XXX = $\pm .03$

REMOVE BURRS AND BREAK EDGES .005

DO NOT SCALE THIS PRINT


DESIGN BY: MSM	SHEET: 4 of 6	PART NUMBER: MTC3705
CHECKED BY: TP	SCALE: NTS	DESCRIPTION: 10 X 16 PLATFORM, HANDRAIL, CANOPY
DATE: 12/09/14	MATERIAL: A36, A500, A529	DRAWING TYPE: ASSEMBLY DRAWING
REVISION: A	FINISH: GALV A123	 Hickory, NC 28602 U.S.A.
	WEIGHT: 6278.75 LBS	

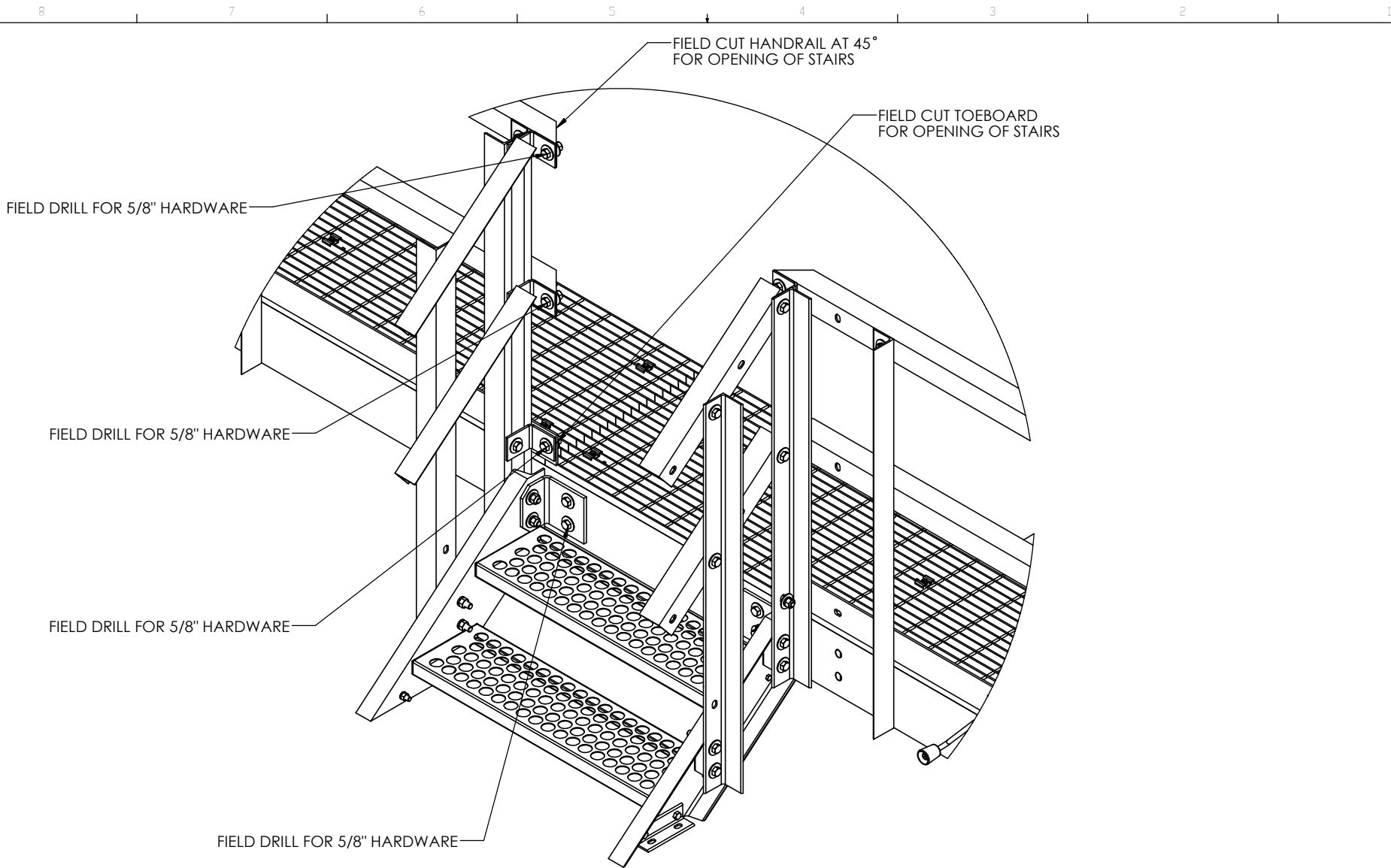


FIELD DRILL FOR 5/8" HARDWARE

DETAIL C
SCALE 1 : 4


NOTES:
1. DIMENSIONS ±.25 UNLESS OTHERWISE NOTED.

<small>These drawings and specifications are the proprietary property of Commscope Inc. and may be used only for the specific purpose authorized in writing by Commscope Inc.</small>		<small>DRAWN BY:</small> MSM	<small>SHEET:</small> 5 of 6	<small>PART NUMBER:</small> MTC3705
<small>ALL DIMENSIONS ARE IN INCHES U.S.S. TOLERANCES UNLESS OTHERWISE SPECIFIED:</small> .X = ± .12 ANGLES = ±2° .XX = ± .06 FRACTIONS = ±1/32 .XXX = ± .03		<small>CHECKED BY:</small> TP	<small>SCALE:</small> NTS	<small>DESCRIPTION:</small> 10 X 16 PLATFORM, HANDRAIL, CANOPY
<small>REMOVE BURRS AND BREAK EDGES .005</small> <small>DO NOT SCALE THIS PRINT</small>		<small>DATE:</small> 12/09/14	<small>MATERIAL:</small> A36, A500, A529	<small>DRAWING TYPE:</small> ASSEMBLY DRAWING
		<small>REVISION:</small> A	<small>FINISH:</small> GALV A123	 Hickory, NC 28602 U.S.A.
			<small>WEIGHT:</small> 6278.75 LBS	



DETAIL D
SCALE 1 : 10

NOTES:
1. DIMENSIONS ±.25 UNLESS OTHERWISE NOTED.

<small>These drawings and specifications are the proprietary property of Commscope Inc. and may be used only for the specific purpose authorized in writing by Commscope Inc.</small>		<small>DRAWN BY:</small> MSM	<small>SHEET:</small> 6 of 6	<small>PART NUMBER:</small> MTC3705
<small>ALL DIMENSIONS ARE IN INCHES U.S.S. TOLERANCES UNLESS OTHERWISE SPECIFIED:</small> <small>.X = ± .12 ANGLES ±2°</small> <small>.XX = ± .06 FRACTIONS ±1/32</small> <small>.XXX = ± .03</small> <small>REMOVE BURRS AND BREAK EDGES .005</small> <small>DO NOT SCALE THIS PRINT</small>		<small>CHECKED BY:</small> TP	<small>SCALE:</small> NTS	<small>DESCRIPTION:</small> 10 X 16 PLATFORM, HANDRAIL, CANOPY
		<small>DATE:</small> 12/09/14	<small>MATERIAL:</small> A36, A500, A529	<small>DRAWING TYPE:</small> ASSEMBLY DRAWING
		<small>REVISION:</small> A	<small>FINISH:</small> GALV A123	 Hickory, NC 28602 U.S.A.
			<small>WEIGHT:</small> 6278.75 LBS	