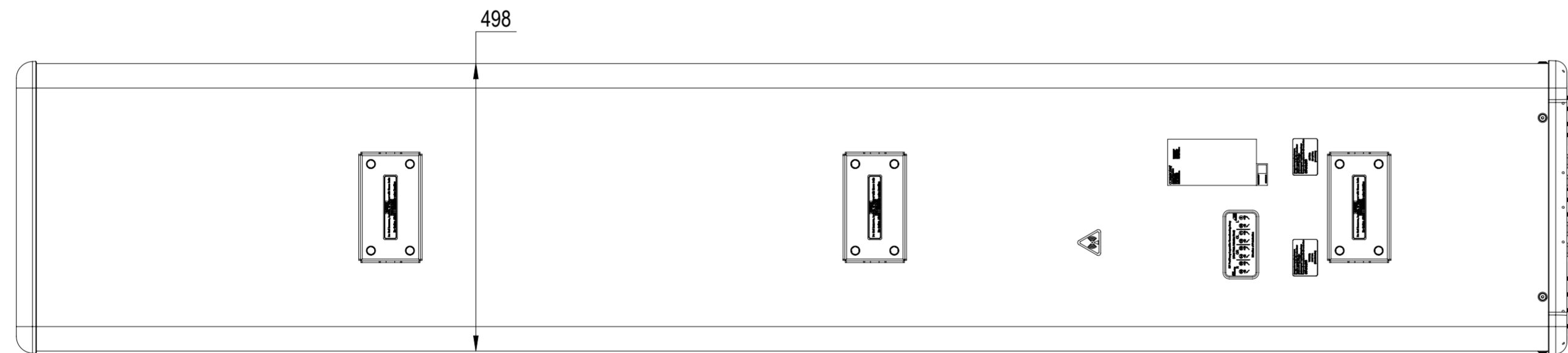
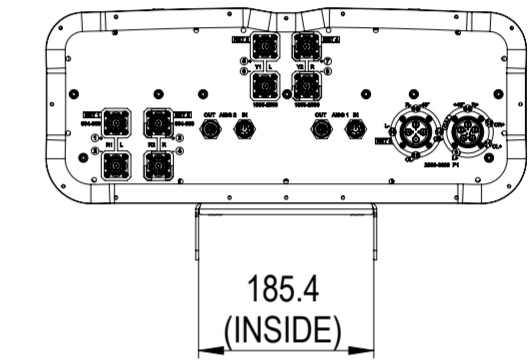
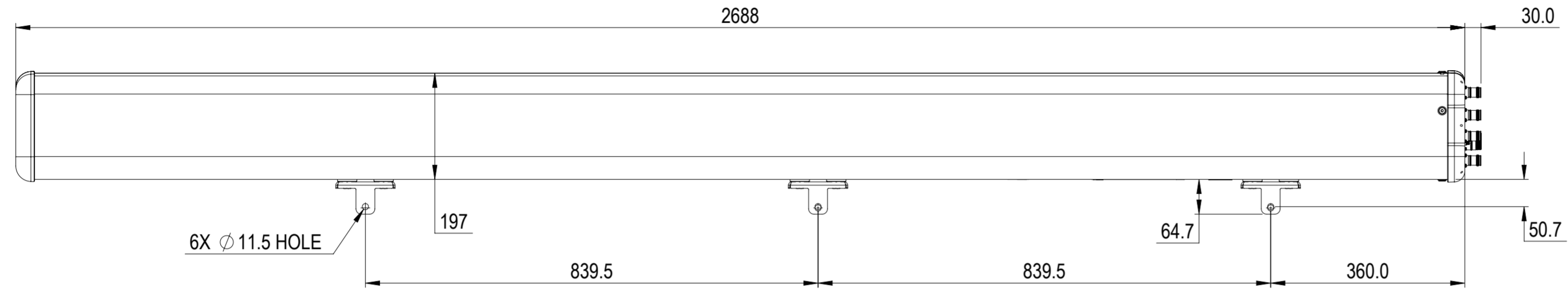


NOTES:

REVISIONS			
REV.	DESCRIPTION	DATE	APPROVED
A	ECR 40155683CMO: RELEASE TO PRODUCTION PER EAO 611448.	02SEP22 RY	ZYLWJG



RRVVQ4-65D-R5V4

COMMSCOPE, INC. OF NORTH CAROLINA										
TOLERANCES					SAP MATERIAL MASTER					
0 PLACE X ±		2 PLACE .XX ±								
1 PLACE .X ±		ANGLES ±								
FINISH					MATERIAL					
<small>UNLESS OTHERWISE SPECIFIED DIMENSIONS ARE IN MILLIMETERS INTERPRET PER ISO STANDARDS HANDBOOK TECHNICAL DRAWINGS VOLUMES 1 & 2, THIRD EDITION (2002)</small>	NAME	DATE	TITLE							
	CE RY1017	09/22/2022	PRODUCT DRAWING							
	RW RY1017	09/07/2022								
	AD ZL8001	09/08/2022	SCALE	DOCUMENT NO.						
	RE NC1020	09/08/2022	1:8	RRVVQ4-65D-R5V4-L						
ECN 40155683CMO										
SIZE	Auth Group	BSA	MODEL			DRAWING				
A2			VERSION	STATUS	REVISION	VERSION	STATUS	REVISION	SHEET	
			00	RE	A	00	RE	A	1 OF 1	

DENSITY	g/mm ³
MASS	grams
VOLUME	mm ³
SURFACE AREA	mm ²
HEIGHT	
LENGTH	
WIDTH	

© 2022 CommScope, Inc.