

# MC-K14L-B



Monopole Co-location T-Frame Kit, 30 in to 60 in OD, 14 ft face, pipe ordered separately

## OBSOLETE

This product was discontinued on: August 18, 2022

### Replaced By:

MC-K14M-B

Monopole Co-location T-Frame kit, 12 in to 50 in OD, 14 ft 6 in face, pipe ordered separately

## Product Classification

**Product Type** Monopole T-frame kit

## General Specifications

**Mounting** Monopole, 762–1524 mm (30–60 in) OD

**Pipe, quantity** 0

**Sectors, quantity** 3

## Dimensions

**Height** 254 mm | 10 in

**Face Width** 4.42 m | 14.5 ft

**Width** 4,419.6 mm | 174 in

**Length** 914.4 mm | 36 in

**Mounting Diameter, maximum** 1524 mm | 60 in

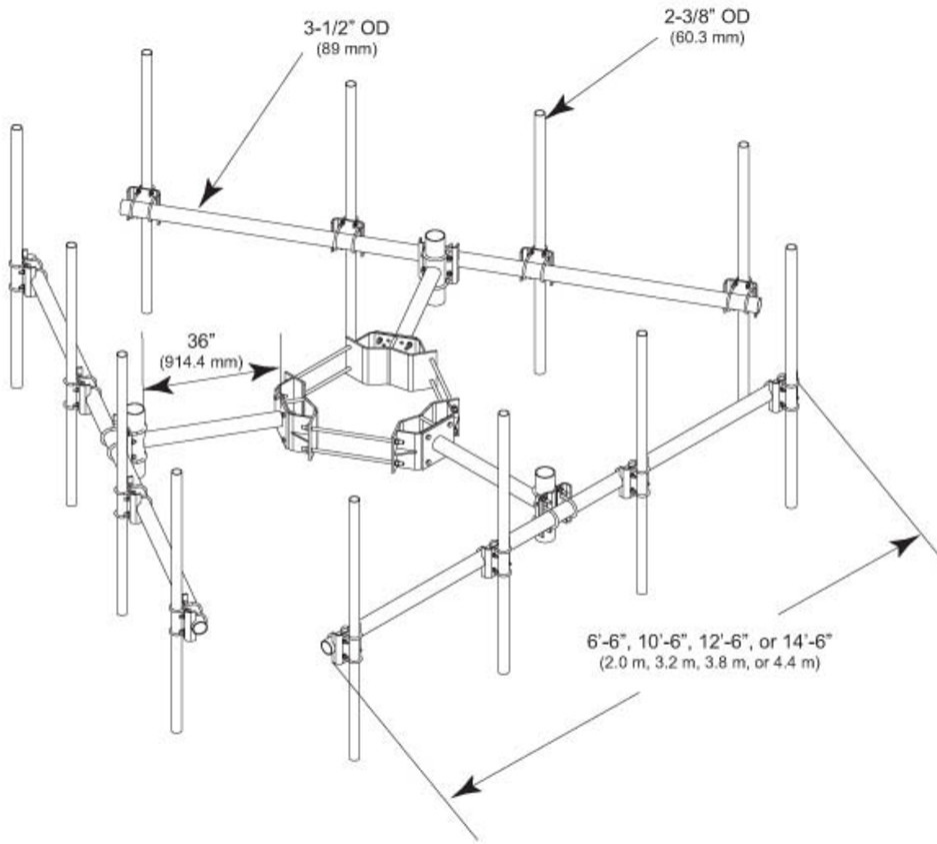
**Mounting Diameter, minimum** 762 mm | 30 in

**Pipe Outer Diameter** 60.96 mm | 2.4 in

**Stand-off Distance** 914.4 mm | 36 in

# MC-K14L-B

## Outline Drawing



## Material Specifications

**Material Type** Hot dip galvanized steel

## Mechanical Specifications

**Wind Rating** 120 mph (BWS) at 150 ft AGL | 140 mph (3-second gust) at 150 ft AGL using Exposure D per FBC

**Wind Rating Criteria** Four 72 in x 8 in panel antennas per sector

**Wind Rating Test Method** TIA/EIA-222

## Packaging and Weights

**Included** Cellular pipe frames | Ring mount | Stand-off arms

**Packaging quantity** 1

**Weight, net** 431.684 kg | 951.7 lb

# MC-K14L-B

---

## Regulatory Compliance/Certifications

**Agency**

ISO 9001:2015

**Classification**

Designed, manufactured and/or distributed under this quality management system

## Included Products

- MC-RM3060-3 – Universal Ring Mount, 30 in to 60 in OD
- MT-197 – Single Support Arm, 36 in, includes pipe
- MT-216-14NS – Cellular Pipe Frame, 14 ft face

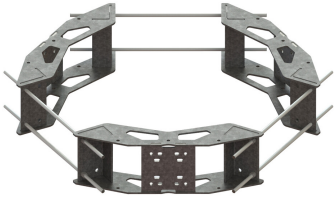
## \* Footnotes

**Wind Rating**

BWS—Base Wind Speed; FBC—Florida Building Code

# MC-RM3060-3

---



Universal Ring Mount, 30 in to 60 in OD

## Product Classification

**Product Type** Universal ring mount

## General Specifications

**Mounting** Monopole, 762–1524 mm (30–60 in) OD

**Pipe, quantity** 0

**Sectors, quantity** 3

## Dimensions

**Height** 254 mm | 10 in

**Length** 152.4 mm | 6 in

**Mounting Diameter, maximum** 1524 mm | 60 in

**Mounting Diameter, minimum** 762 mm | 30 in

**Pipe Outer Diameter** 0 mm | 0 in

**Mounting Circumference, maximum** 4,785.36 mm | 188.4 in

**Mounting Circumference, minimum** 2,392.68 mm | 94.2 in

## Material Specifications

**Material Type** Hot dip galvanized steel

## Mechanical Specifications

**Wind Rating** 140 mph (BWS) at 150 ft AGL | 160 mph (3-second gust) at 150 ft AGL using Exposure D per FBC

**Wind Rating Criteria** Four 72 in x 8 in panel antennas per sector

**Wind Rating Test Method** TIA/EIA-222

## Packaging and Weights

**Included** Mount | Threaded rod

# MC-RM3060-3

---

**Packaging quantity** 1  
**Weight, net** 140.614 kg | 310 lb

## Regulatory Compliance/Certifications

<b>Agency</b>	<b>Classification</b>
CHINA-ROHS	Above maximum concentration value
ISO 9001:2015	Designed, manufactured and/or distributed under this quality management system
ROHS	Compliant/Exempted
UK-ROHS	Compliant/Exempted



## \* Footnotes

**Wind Rating** BWS—Base Wind Speed; FBC—Florida Building Code

# MT-197

---



Single Support Arm, 36 in, includes pipe

## Product Classification

**Product Type** Universal ring mount

## General Specifications

**Mounting** Ring mount

**Pipe, quantity** 1

## Dimensions

**Height** 457.2 mm | 18 in

**Width** 254 mm | 10 in

**Length** 914.4 mm | 36 in

**Pipe Length** 457.2 mm | 18 in

**Pipe Outer Diameter** 114.3 mm | 4.5 in

**Stand-off Distance** 914.4 mm | 36 in

## Material Specifications

**Material Type** Hot dip galvanized steel

## Mechanical Specifications

**Wind Rating** 120 mph (BWS) at 150 ft AGL | 140 mph (3-second gust) at 150 ft AGL using Exposure D per FBC

**Wind Rating Criteria** Four 72 in x 8 in panel antennas per sector

**Wind Rating Test Method** TIA/EIA-222

## Packaging and Weights

**Included** Hardware | Stand-off arms

**Packaging quantity** 1

**Weight, net** 30.9 kg | 68.123 lb

# MT-197

---

## Regulatory Compliance/Certifications

<b>Agency</b>	<b>Classification</b>
CHINA-ROHS	Above maximum concentration value
ISO 9001:2015	Designed, manufactured and/or distributed under this quality management system
ROHS	Compliant/Exempted
UK-ROHS	Compliant/Exempted

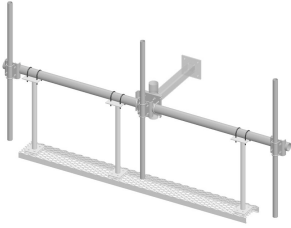


## \* Footnotes

**Wind Rating**                      BWS—Base Wind Speed; FBC—Florida Building Code

# MT-216-14NS

---



Cellular Pipe Frame, 14 ft face

## Product Classification

**Product Type** Pipe mount

## General Specifications

**Mounting** Pipe, 114.3 mm (4-1/2 in) OD

## Dimensions

**Height** 254 mm | 10 in

**Face Width** 4.42 m | 14.5 ft

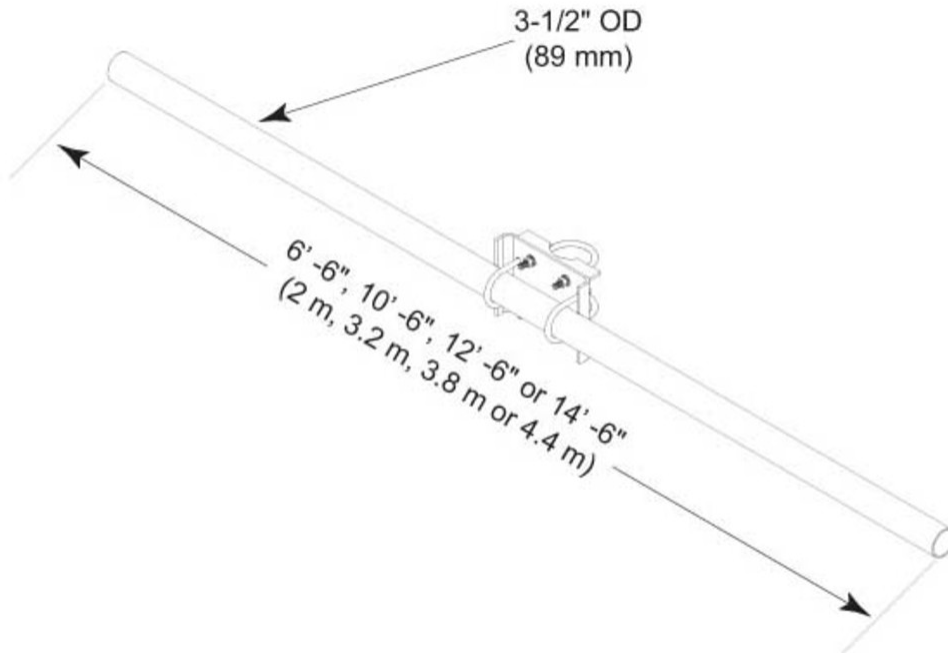
**Width** 4,419.6 mm | 174 in

**Length** 88.9 mm | 3.5 in



# MT-216-14NS

## Outline Drawing



## Material Specifications

**Material Type** Hot dip galvanized steel

## Mechanical Specifications

**Wind Rating** 120 mph (BWS) at 150 ft AGL | 140 mph (3-second gust) at 150 ft AGL using Exposure D per FBC

**Wind Rating Criteria** Four 72 in x 8 in panel antennas per sector

**Wind Rating Test Method** TIA/EIA-222

## Packaging and Weights

**Included** Cellular pipe frames

**Packaging quantity** 1

**Weight, net** 55.4 kg | 122.136 lb

## Regulatory Compliance/Certifications

# MT-216-14NS

---

**Agency**

ISO 9001:2015

**Classification**

Designed, manufactured and/or distributed under this quality management system

\* Footnotes

**Wind Rating**

BWS—Base Wind Speed; FBC—Florida Building Code