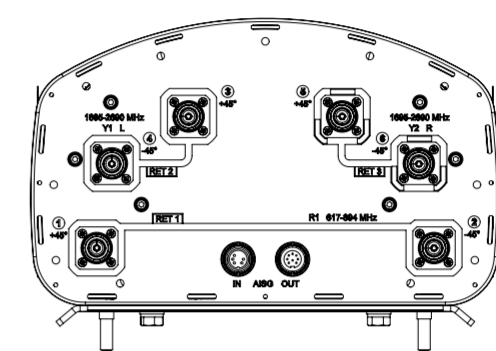
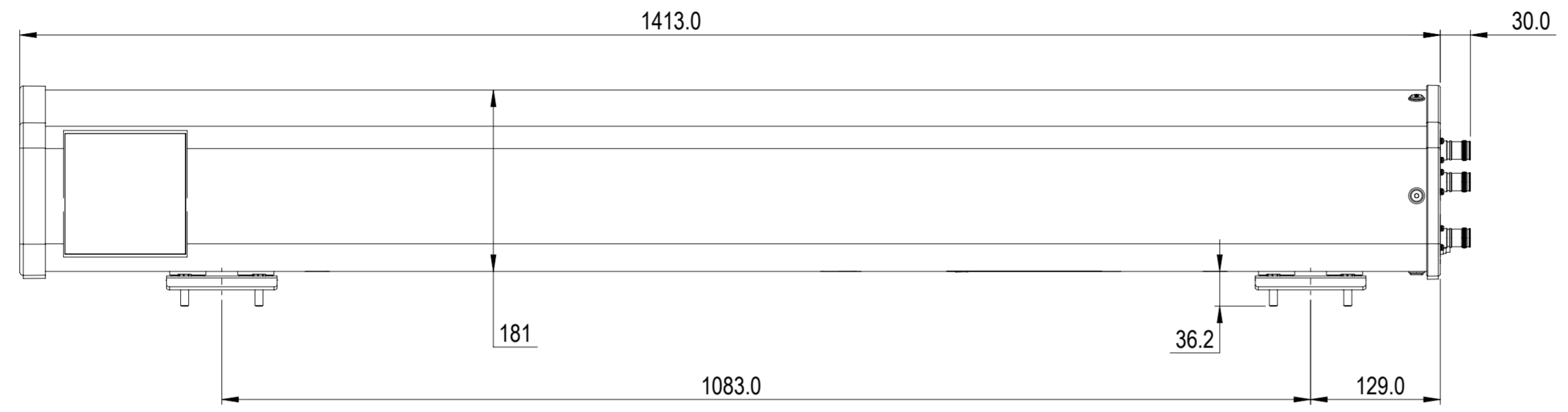


REVISIONS			
REV.	DESCRIPTION	DATE	APPROVED
A	ECR 17079: REL TO PRODUCTION PER EAO 610619.	16MAY22 GB	CM/UK



FVV-65A-R3-V1

COMMScope, INC. OF NORTH CAROLINA																																							
TOLERANCES						SAP MATERIAL MASTER																																	
0 PLACE X ±			2 PLACE .XX ±			1 PLACE .X ±			ANGLES ±																														
FINISH N/A						MATERIAL																																	
PRODUCT DRAWING																																							
SCALE: 1:5 DOCUMENT NO: FVV-65A-R3-V1-L																																							
ECN 17079PC																																							
<table border="1"> <thead> <tr> <th>NAME</th> <th>DATE</th> <th>TITLE</th> </tr> </thead> <tbody> <tr> <td>CE GBANDEKAR</td> <td>05/16/2022</td> <td rowspan="4" style="text-align: center; vertical-align: middle;">PRODUCT DRAWING</td> </tr> <tr> <td>RW GBANDEKAR</td> <td>06/03/2022</td> </tr> <tr> <td>AD CM1117</td> <td>06/03/2022</td> </tr> <tr> <td>RE RK1070</td> <td>06/03/2022</td> </tr> </tbody> </table>												NAME	DATE	TITLE	CE GBANDEKAR	05/16/2022	PRODUCT DRAWING	RW GBANDEKAR	06/03/2022	AD CM1117	06/03/2022	RE RK1070	06/03/2022																
NAME	DATE	TITLE																																					
CE GBANDEKAR	05/16/2022	PRODUCT DRAWING																																					
RW GBANDEKAR	06/03/2022																																						
AD CM1117	06/03/2022																																						
RE RK1070	06/03/2022																																						
<table border="1"> <thead> <tr> <th>SIZE</th> <th>Auth Group</th> <th>BSA</th> <th>MODEL</th> <th colspan="3">DRAWING</th> <th>SHEET</th> </tr> </thead> <tbody> <tr> <td>A2</td> <td></td> <td></td> <td>VERSION</td> <td>STATUS</td> <td>REVISION</td> <td>VERSION</td> <td>STATUS</td> <td>REVISION</td> <td>1 OF 1</td> </tr> <tr> <td></td> <td></td> <td></td> <td>00</td> <td>RE</td> <td>A</td> <td>00</td> <td>RE</td> <td>A</td> <td></td> </tr> </tbody> </table>			SIZE	Auth Group	BSA	MODEL	DRAWING			SHEET	A2			VERSION	STATUS	REVISION	VERSION	STATUS	REVISION	1 OF 1				00	RE	A	00	RE	A										
SIZE	Auth Group	BSA	MODEL	DRAWING			SHEET																																
A2			VERSION	STATUS	REVISION	VERSION	STATUS	REVISION	1 OF 1																														
			00	RE	A	00	RE	A																															

DENSITY	g/mm ³
MASS	grams
VOLUME	mm ³
SURFACE AREA	mm ²
HEIGHT	
LENGTH	
WIDTH	