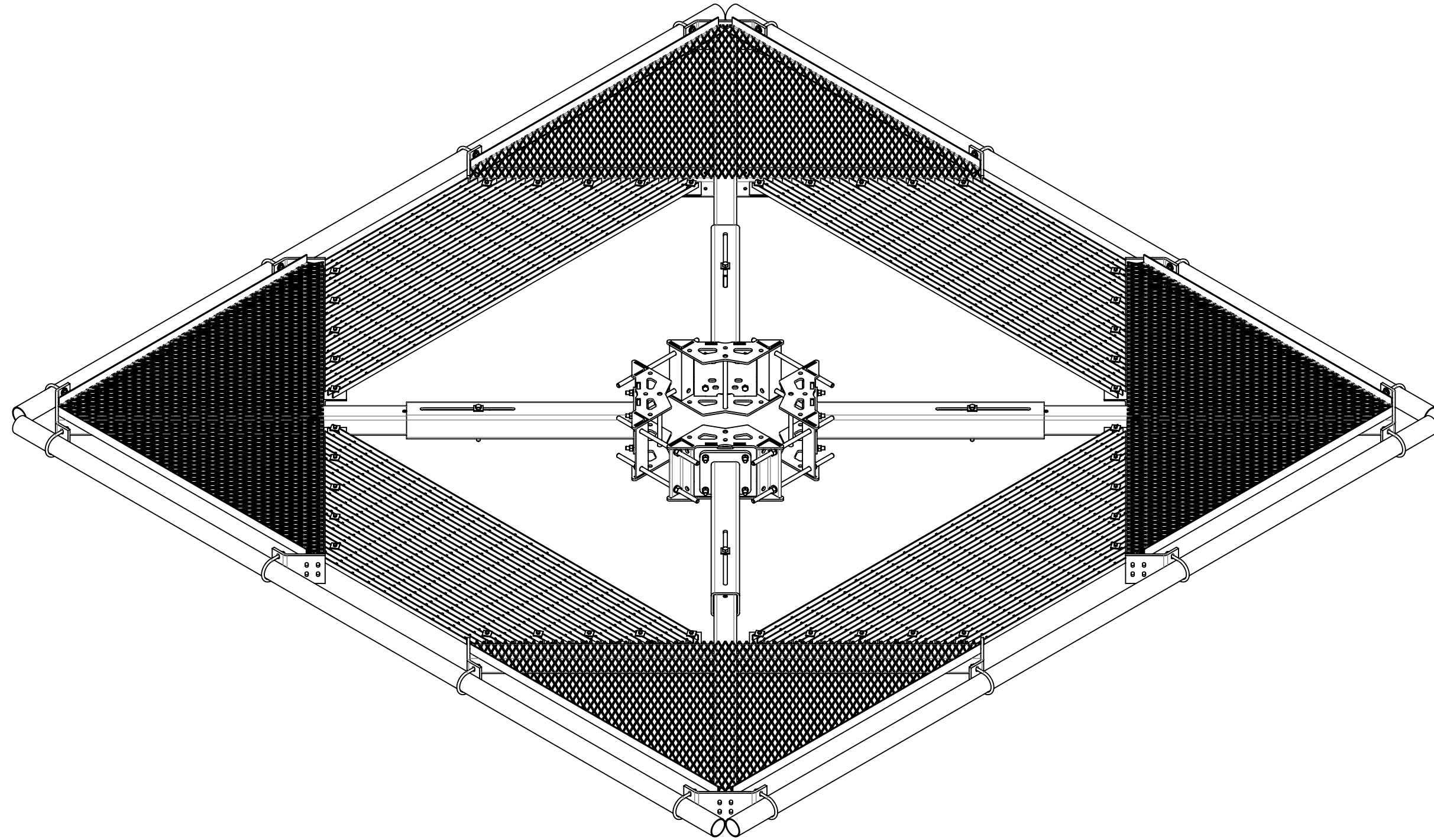


- 1.0 GENERAL NOTES
 1.1 ALL METRIC DIMENSIONS ARE IN BRACKETS [X. X]
 1.2 FOR PATENT INFO: <https://www.cs-pat.com>
- 2.0 DESIGN NOTES
 2.1 ANY HAZARDS OR OBSTRUCTIONS TO THE CLIMBING FACILITY AND SAFETY CLIMB MUST BE IDENTIFIED PRIOR TO INSTALLING THE APPURTENANCE. ADDITIONAL PRODUCTS MAY BE REQUIRED TO MAINTAIN THE INTEGRITY OF THE SAFETY CLIMB. DURING INSTALLATION, TEMPORARY AND/OR PERMANENT PRECAUTIONARY MEASURES SHOULD BE TAKEN TO PRESERVE THE CLIMBING FACILITY AND/OR SAFETY CLIMB.
 2.2 FITS MONOPOLES 10"-30" O.D.
- 3.0 MANUFACTURING/SPECIAL REQUIREMENTS
 3.1 TIGHTEN ALL BOLTS SECURING FLAT PLATES BY THE TURN-OF-NUT METHOD. TIGHTEN ALL U-BOLTS USING TURN-OF-NUT METHOD WITH ATTENTION TO LEAVE EQUAL DISTANCE AND EQUAL FORCE ON EACH LEG OF THE U-BOLT.
- 4.0 TEST
- 5.0 PACKAGING
 5.1 PACKAGING SHALL MEET COMMSCOPE REQUIREMENTS PER DOCUMENT IS-PL-3005
 5.2 PRINTED DOCUMENT TO BE PLACED INSIDE POLYBAG AND THEN IN SHIPPING CONTAINER
 5.3 EXTRA HARDWARE MAY BE SUPPLIED, BAGGED AND SHIPPED

REVISIONS			
REV.	DESCRIPTION	DATE	APPROVED
A	INITIA RELEASE	MSM 18OCT12	
B	UPDATED RING MOUNT DESIGN	MSM 13JUL16	TP 8000015106
C	REDRAWN IN SOLIDWORKS	YMENG 16MAY23	BA1025 40171586CMO
D	MTC820116-00(ITEM 3) WAS MTC820103; MTC820221 (ITEM 4) WAS MTC820202	RY1002 20MAR24	YZ1080 40191968CMO



PART NUMBERS, WEIGHTS, & EPA

PART NUMBER	DESCRIPTION	WEIGHT (LBS)	(EPA)A (FT^2)*		(EPA)A 1/2" ICE THICKNESS (FT^2)*		ANTENNA PIPES	INCLUDED PARTS			
			MIN	MAX	MIN	MAX		MC-RM1030-4	MCPK14S4SB	MCPK4HK	MT547174SB4
MC-PK14S4-B	14' 4-SECTOR PLATFORM 10-30 BASE	2497.38	27.44	28.21	34.48	35.43	-	1	1	1	1

* (EPA)A DOES NOT INCLUDE MOUNTING HARDWARE.

DENSITY		lbs/in ³
MASS	2497.38	lbs
VOLUME	8830.20	in ³
SURFACE AREA	85396.46	in ²
HEIGHT	11.5"	
LENGTH	181.1"	
WIDTH	181.1"	

COMMSCOPE, INC. OF NORTH CAROLINA

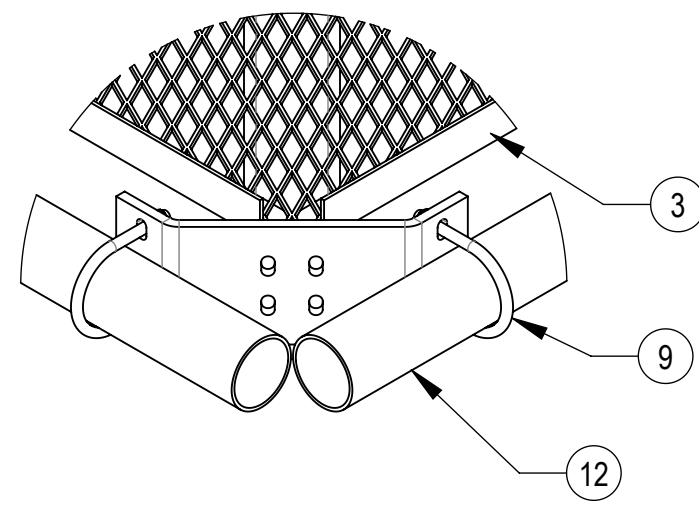
TOLERANCES		SAP MATERIAL MASTER													
1 PLACE .X[X] ± .12[3.0]	3 PLACE .XXX[X] ± .030[0.76]	MC-PK14S4-B													
2 PLACE .XX[X] ± .06[1.5]	ANGLES ± 2°														
FINISH		MATERIAL													
<table border="1"> <thead> <tr> <th>NAME</th> <th>DATE</th> <th>TITLE</th> </tr> </thead> <tbody> <tr> <td>CE MSM</td> <td>18OCT12</td> <td rowspan="4">14' 4-SECTOR PLATFORM 10-30 BASE</td> </tr> <tr> <td>RW RY1002</td> <td>04/10/2024</td> </tr> <tr> <td>AD YZ1080</td> <td>04/11/2024</td> </tr> <tr> <td>RE RY1002</td> <td>04/25/2024</td> </tr> </tbody> </table>		NAME	DATE	TITLE	CE MSM	18OCT12	14' 4-SECTOR PLATFORM 10-30 BASE	RW RY1002	04/10/2024	AD YZ1080	04/11/2024	RE RY1002	04/25/2024	SCALE: 1:20 DOCUMENT NO.: MC-PK14S4-B	
NAME	DATE	TITLE													
CE MSM	18OCT12	14' 4-SECTOR PLATFORM 10-30 BASE													
RW RY1002	04/10/2024														
AD YZ1080	04/11/2024														
RE RY1002	04/25/2024														
ECN 40191968CMO	SIZE: Auth Group INSL	MODEL													
C		VERSION: 02	STATUS: RE												
		REVISION: C	VERSION: 01												
		STATUS: RE	REVISION: D												
		DRAWING													
		SHEET 1 OF 3													

4

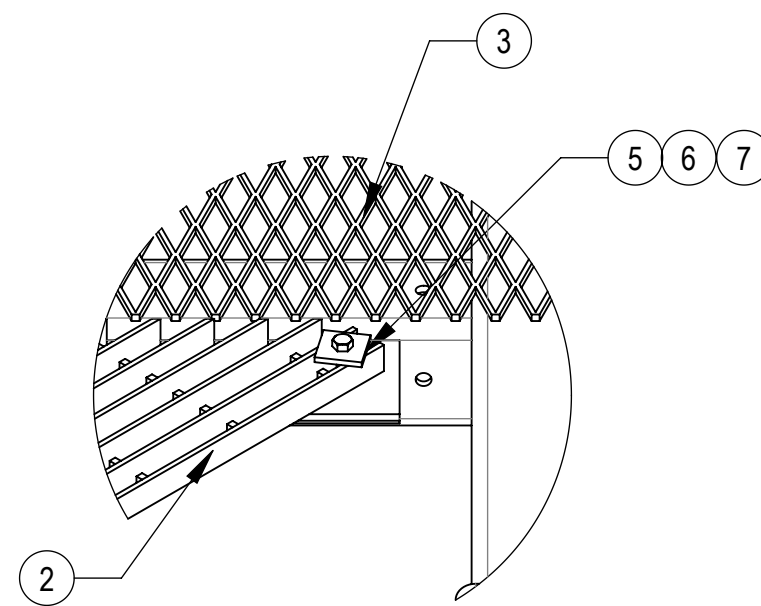
3

2

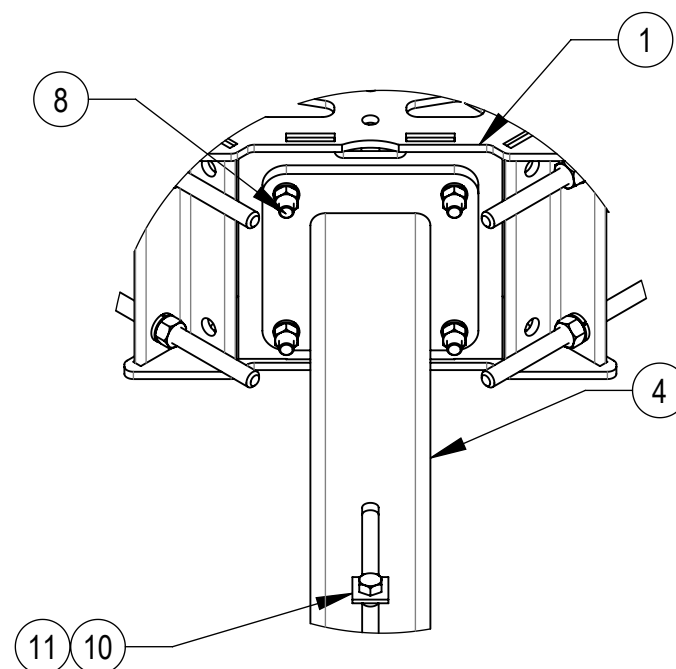
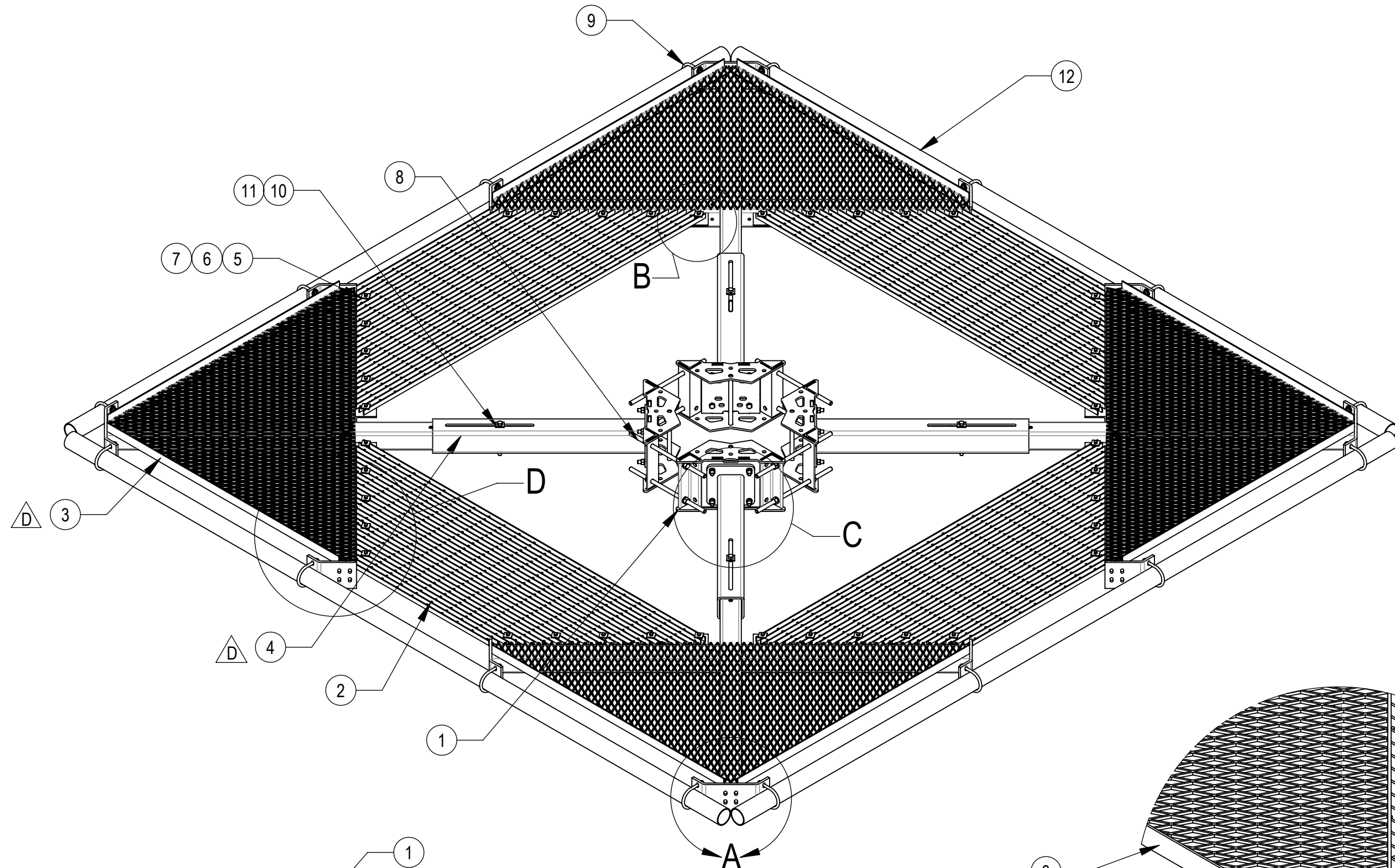
1



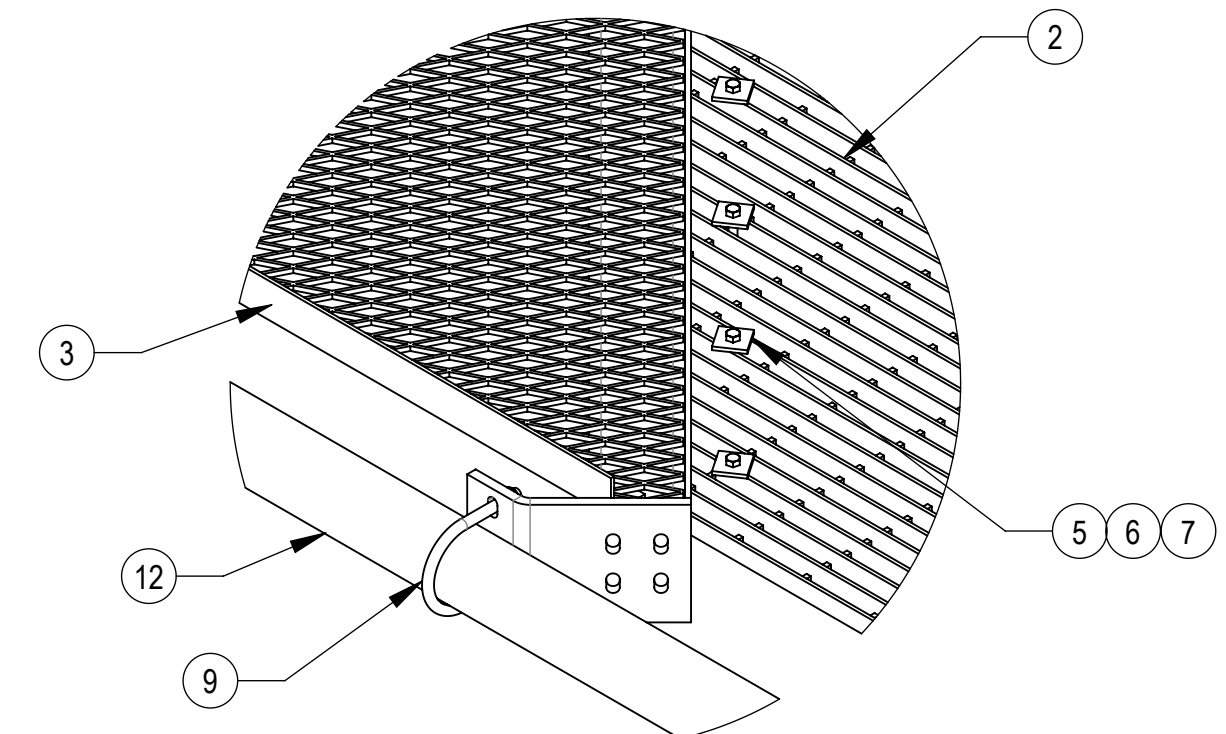
DETAIL A
SCALE 1 : 8



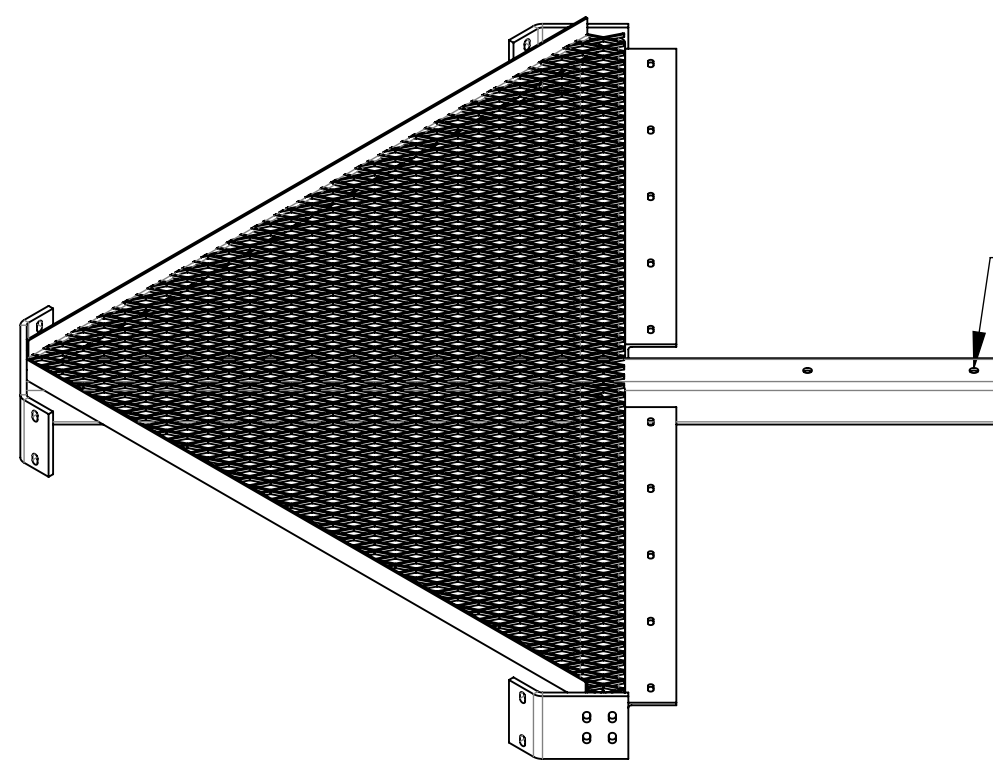
DETAIL B
SCALE 1 : 6



DETAIL C
SCALE 1 : 8



DETAIL D
SCALE 1 : 8



ONLY SHOW T-ARM

COMPONENT PART NUMBERS PROVIDED FOR ASSEMBLY PURPOSES;
INDIVIDUAL COMPONENTS MAY BE SHIPPED AS PARTS WITHIN AN INCLUDED KIT.

ITEM	PART NO.	DESCRIPTION	QTY.	WEIGHT	NOTE NO.
1	MC-RM1030-4	FOUR SECTOR RING MOUNT, 10-30 OD	1	204.51 LBS	
2	MTC820203	GRATING CORNER FILLER	4	97.22 LBS	
3	MTC820116-00	PLATFORM	4	298.09 LBS	
4	MTC820221	4 SECTOR PLATFORM SLIDER TUBE, 14' FACE	4	95.56 LBS	
5	MT-387	SQUARE WASHER 1-1/2"X1-1/2" W/ 7/16 HOLE	40	0.11 LBS	
6	GWf-03	3/8" GALV FLAT WASHER	40	0.01 LBS	
7	GB-03225	3/8" X 2-1/4" GALV BOLT KIT	40	0.09 LBS	
8	GB-0524A	5/8" X 2-1/2" GALV BOLT KIT (A325)	16	0.30 LBS	
9	GUB-4355	1/2" X 3-5/8" X 5" GALV U-BOLT KIT	16	0.72 LBS	
10	MT389	WASHER, 1-1/2" X 1 5/8", 11/16" HOLE,SQ	8	0.11 LBS	
11	GB-0570A	5/8" X 7" GALV BOLT KIT A325	4	0.69 LBS	
12	MT-547-174	3.5" O.D. X 174" PIPE	4	85.52 LBS	

COMMSCOPE, INC. OF NORTH CAROLINA				
TITLE 14' 4-SECTOR PLATFORM 10-30 BASE				
SIZE C	SCALE 1:24	DOCUMENT NO. MC-PK14S4-B		
DRAWING		VERSION	STATUS	REVISION
SHEET 2 OF 3		01	RE	D

4

3

2

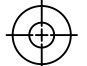
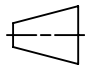
1

∅ 30 [762.0]
10 [254.0]

14'-6" [4419.6]
TYP

(181.1 [4600.39])
TYP

11.5 [292.1]

COMMSCOPE, INC. OF NORTH CAROLINA				
TITLE 14' 4-SECTOR PLATFORM 10-30 BASE				
SIZE C	SCALE 1:24	DOCUMENT NO. MC-PK14S4-B		
DRAWING		VERSION	STATUS	REVISION
 		01	RE	D
				SHEET 3 OF 3

© 2024 CommScope, Inc. Confidential

4

3

2

1

D

D

C

C

B

B

A

A