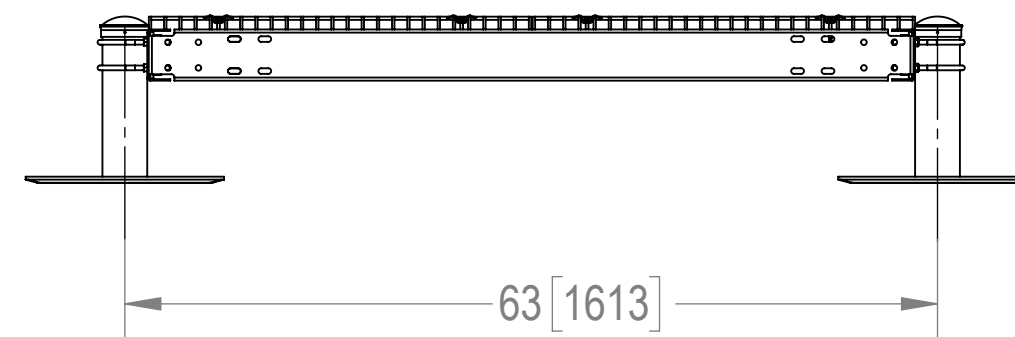
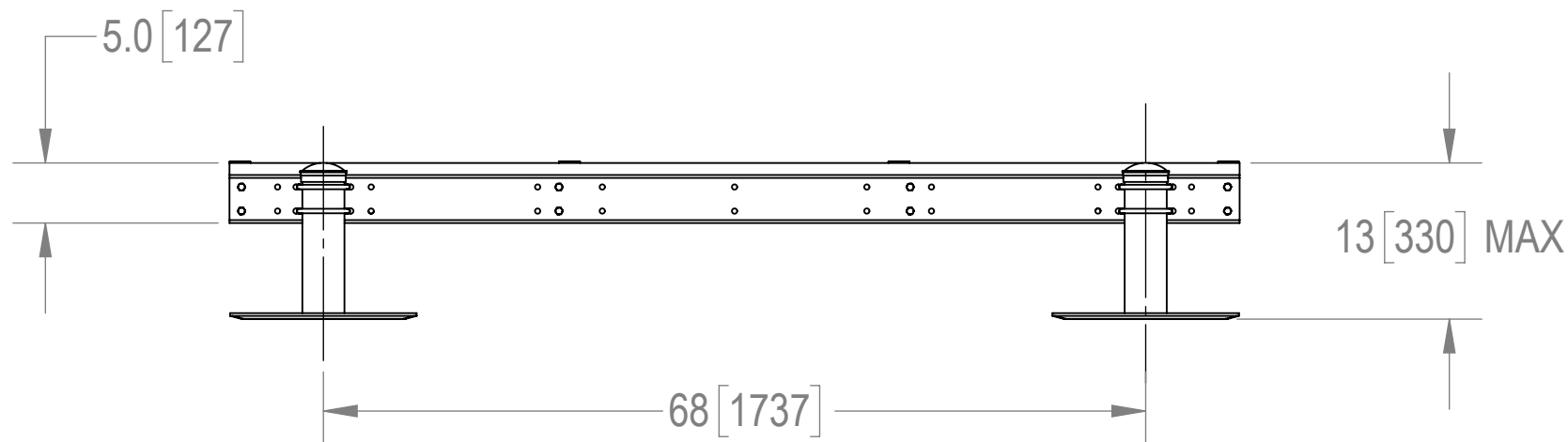
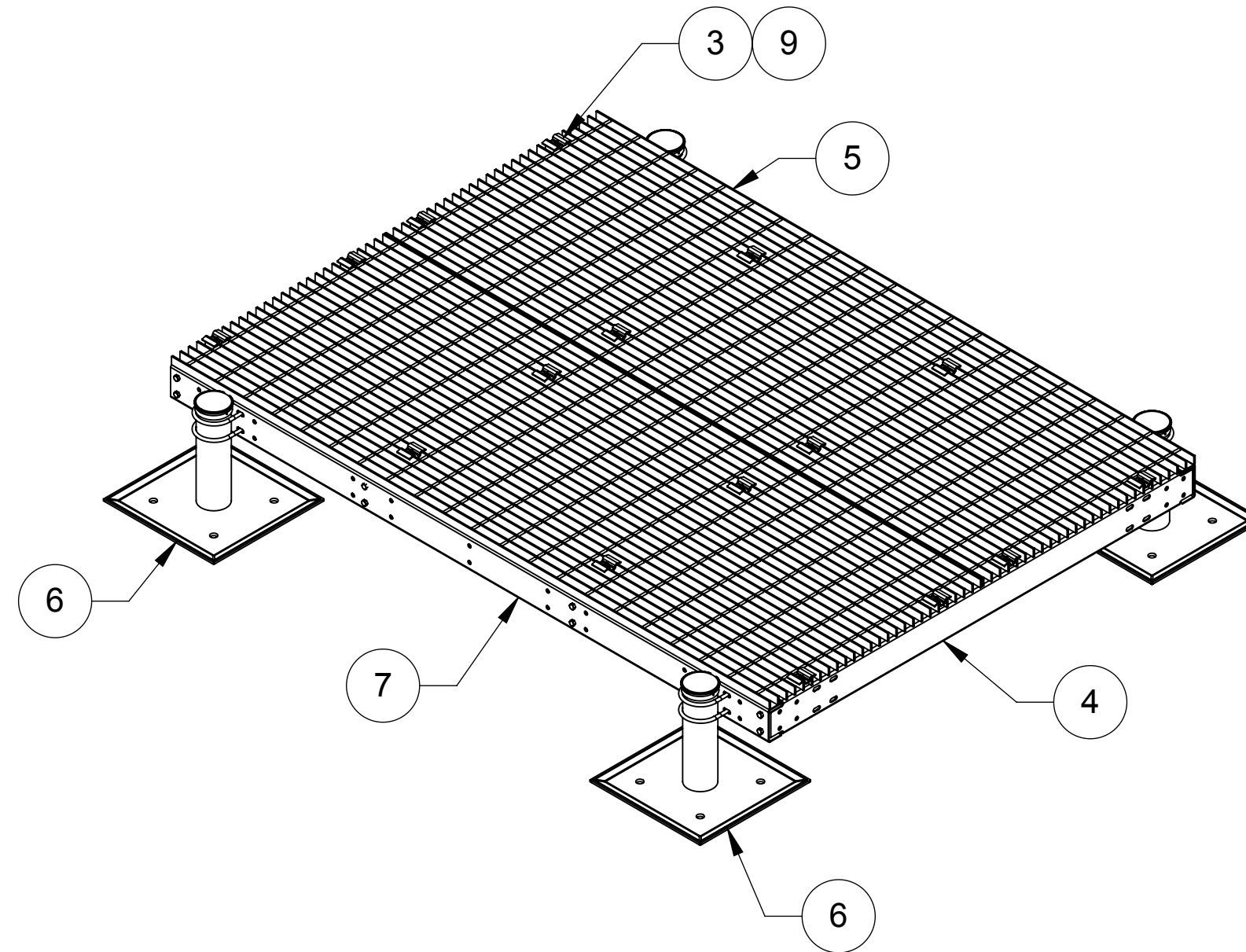
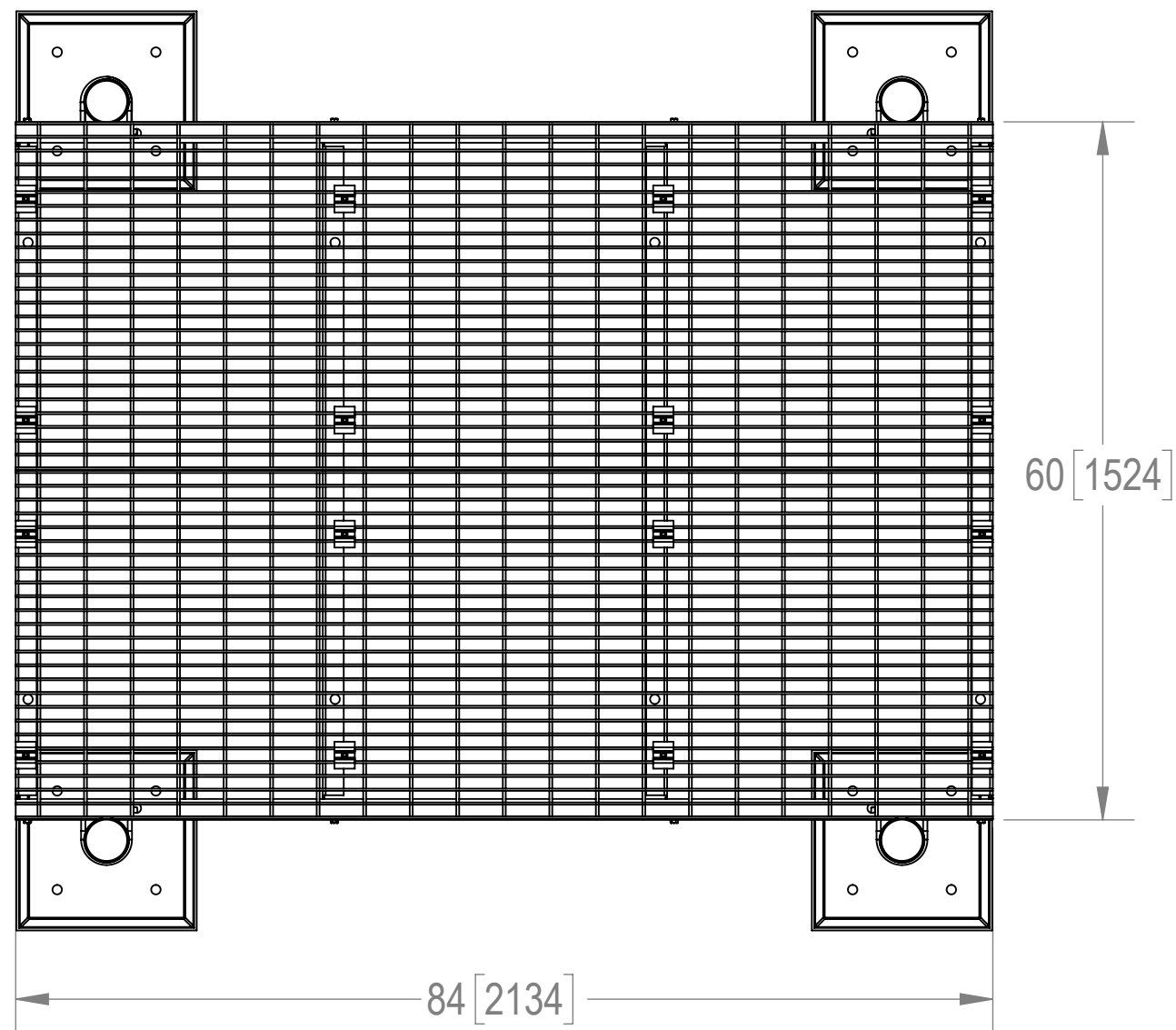


NOTES:

- 1.0 ALL METRIC DIMENSIONS ARE IN BRACKETS.
- 2.0 TORQUE ALL BOLTS TO 25 FT-LBS.

REVISIONS				
REV.	ECN	DESCRIPTION	BY	DATE
A	8000030093	INITIAL RELEASE	MRC	05/15/18
B	8000030862	UPDATED DRAWING TO SHOW PLATFORM ONLY	RJC	07/25/18



ITEM	PART NO.	DESCRIPTION	QTY.	WEIGHT	NOTE NO.
1	GB-03105	3/8" X 1" GALV BOLT KIT	16	0.05 LBS	
2	GUB-3355	3/8" X 3-5/8" X 5-1/4" GALV U-BOLT	8	0.40 LBS	
3	MTC390324	BAR GRATING CLIP	16	0.17 LBS	
4	MTC392204	CHANNEL, 11 GA, 4 X 2 X 59.75	4	14.15 LBS	
5	MTC403303	30" X 84" BAR GRATING	2	122.66 LBS	
6	MTC403304	WELDMENT, FOOT 12"	4	24.07 LBS	
7	MTC4045B01	CHANNEL, 11 GA, 4" X 1.8" X 84.00"	2	20.26 LBS	
8	PC-034	PIPE CAP 3-1/2"	4	0.66 LBS	
9	TS1220	12-24 X 2" SELF DRILLING SCREW	16	0.03 LBS	

**COMMSCOPE, INC. OF NORTH CAROLINA**

TOLERANCES		SAP MATERIAL MASTER	
0 PLACE X ± .25	2 PLACE .XX ± .06	<b>MTC4045</b>	
1 PLACE .X ± .12	ANGLES ± 2°		
FINISH GALV A123		MATERIAL A1011/A1018, A500	
<small>UNLESS OTHERWISE SPECIFIED DIMENSIONS ARE IN INCHES INTERPRET PER ANSI Y 14.5M-1994</small>		NAME	DATE
		CE MRC	05/15/18
<small>DENSITY 0 lbs/in³ MASS 449 lbs VOLUME in³ SURFACE AREA in²</small>		<b>5X7 PLATFORM, 4 CUSTOM FEET</b>	
		AD BCAMPBELLCON	08/20/2018
<small>HEIGHT 13.0 LENGTH 84.0 WIDTH 60.0</small>		RE BCAMPBELLCON	08/20/2018
		ECN DISH_HR	
SCALE 1:15		DOCUMENT NO. <b>MTC4045</b>	
SIZE WORK AREA 24	MODEL		DRAWING
<b>C</b>	VERSION 01	STATUS RE	REVISION B
	VERSION 00	STATUS RE	REVISION B
			SHEET 1 OF 3

4

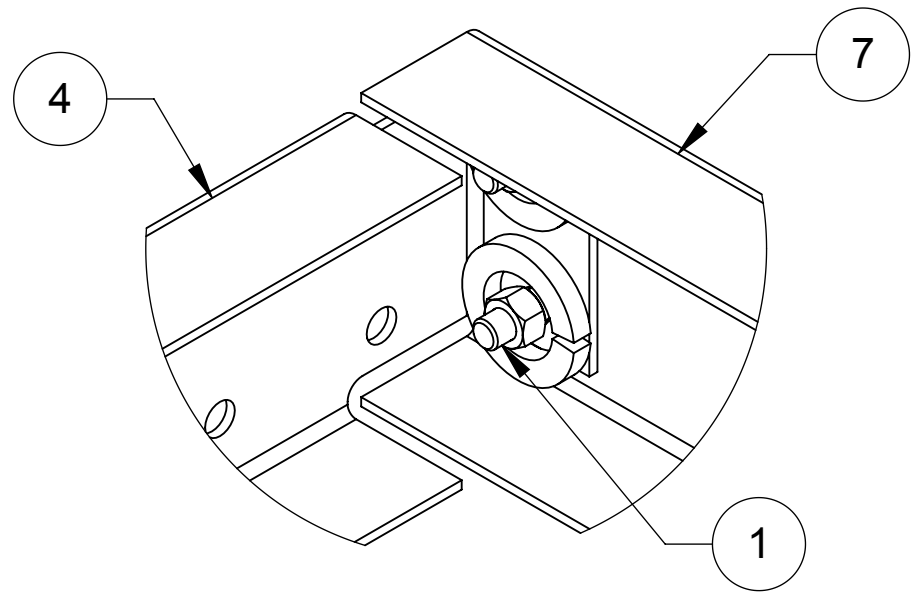
3

2

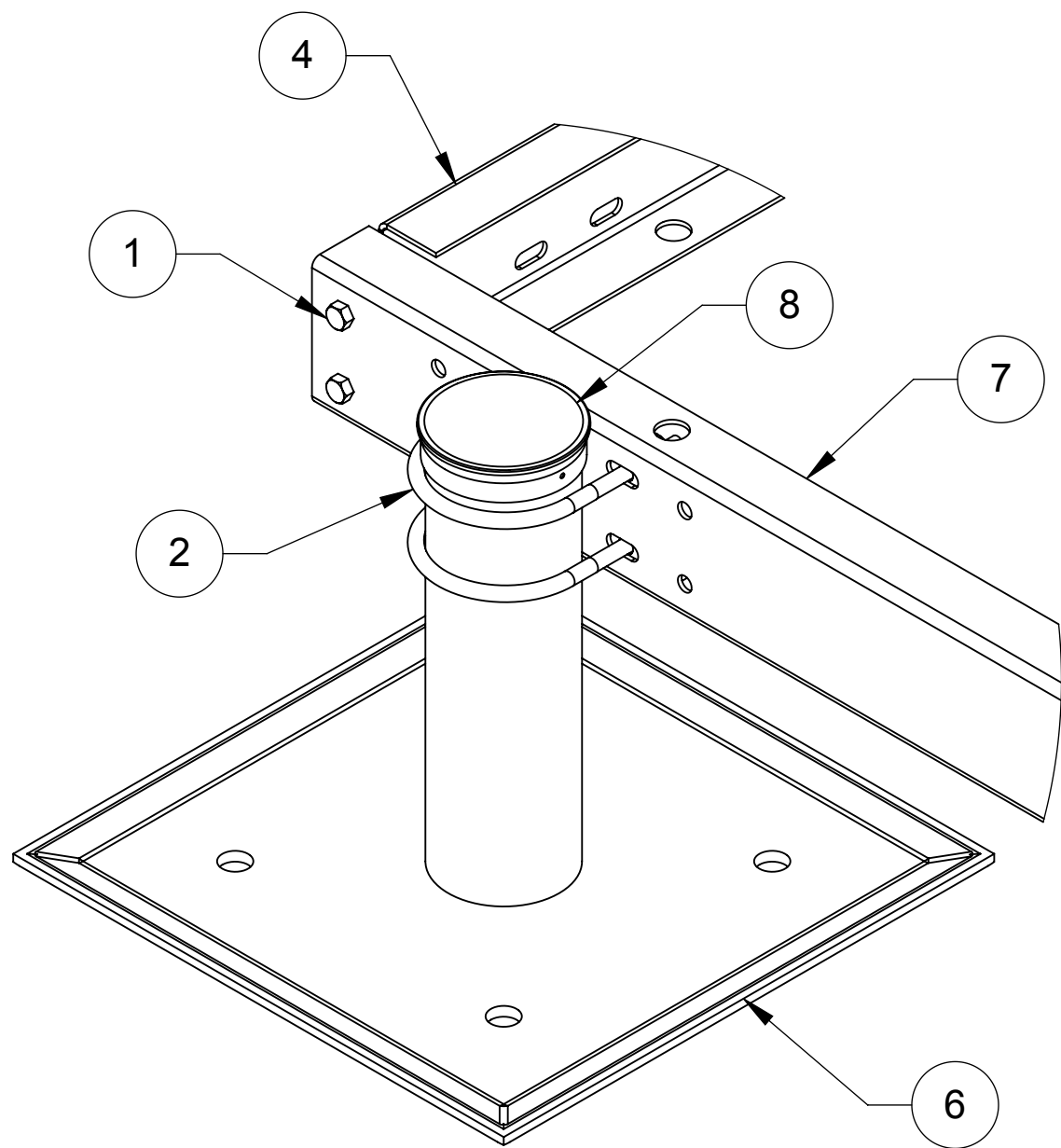
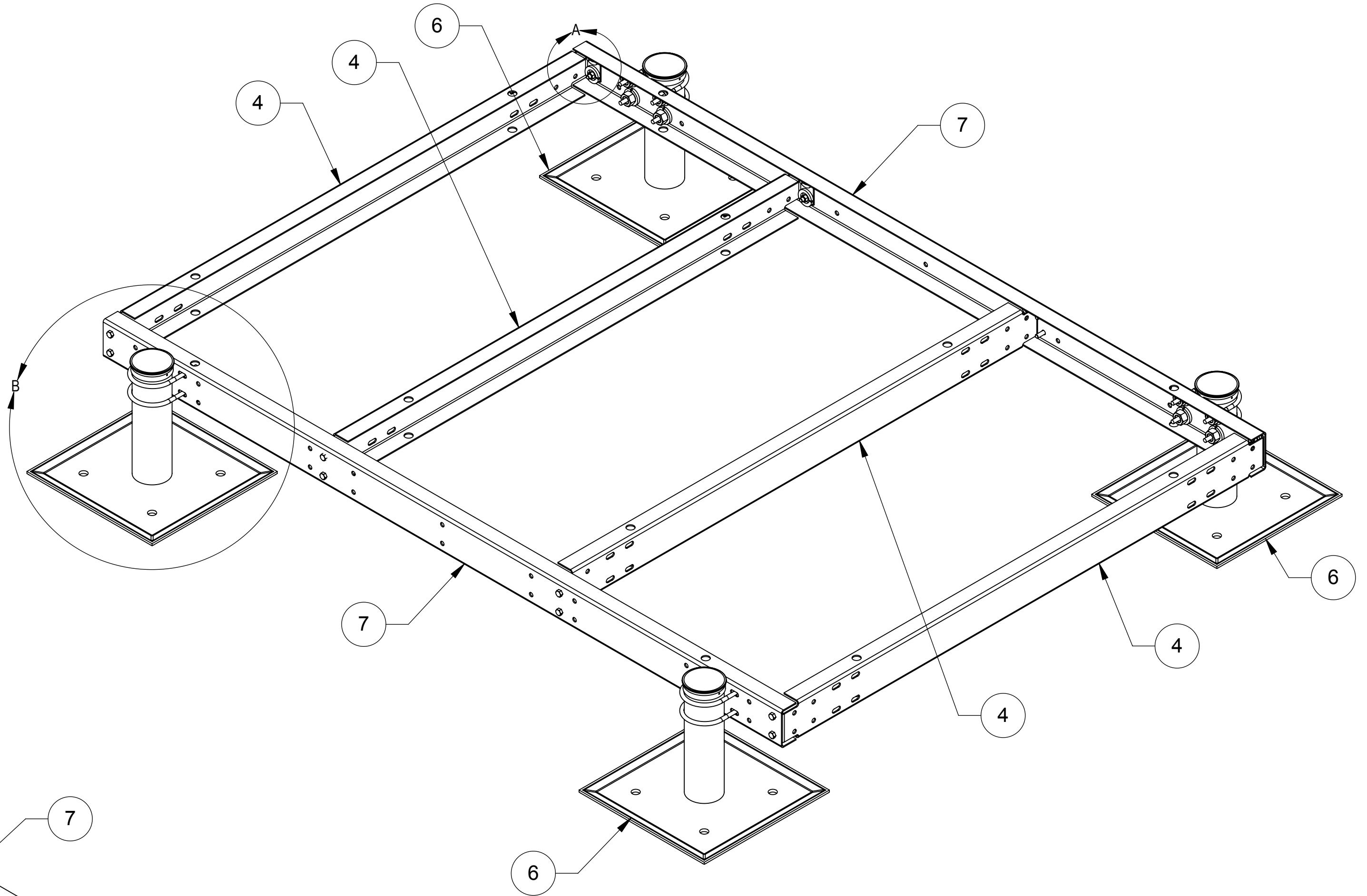
1

NOTES:

- 1.0 ALL METRIC DIMENSIONS ARE IN BRACKETS.
- 2.0 TORQUE ALL BOLTS TO 25 FT-LBS.



DETAIL A  
SCALE 1:2



DETAIL B  
SCALE 1:4

COMMSCOPE, INC. OF NORTH CAROLINA					
TITLE 5X7 PLATFORM, 4 CUSTOM FEET					
SIZE C	SCALE 1:8	DOCUMENT NO. MTC4045			
		DRAWING			SHEET 2 OF 3
		VERSION 00	STATUS RE	REVISION B	

4

3

2

1

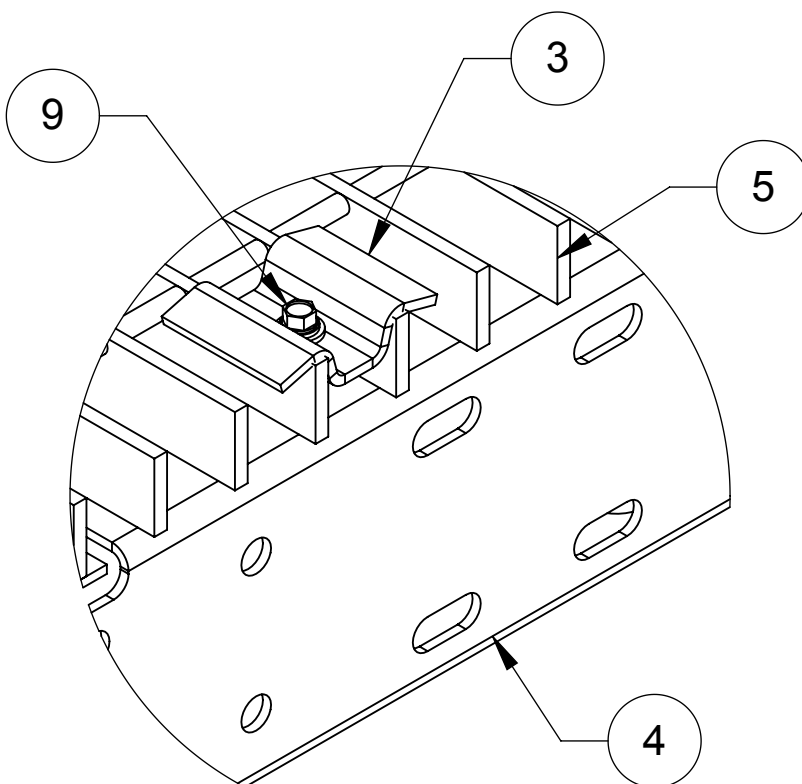
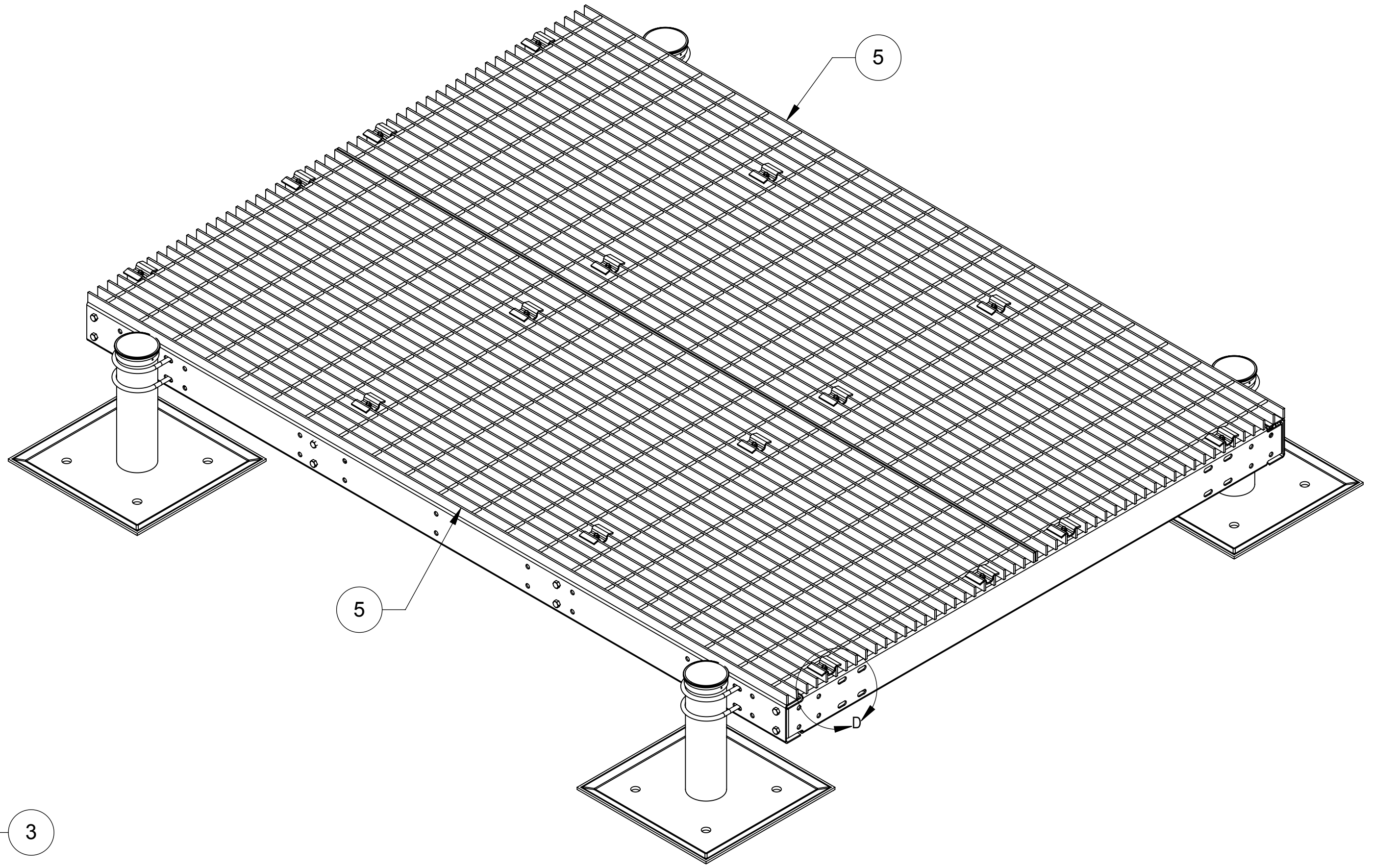
4

3


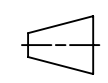
2

1

NOTES:  
1.0 ALL METRIC DIMENSIONS ARE IN BRACKETS.



DETAIL D  
SCALE 1:2

COMMSCOPE, INC. OF NORTH CAROLINA					
TITLE 5X7 PLATFORM, 4 CUSTOM FEET					
SIZE C	SCALE 1:8	DOCUMENT NO. MTC4045			
 		DRAWING			SHEET 3 OF 3
		VERSION 00	STATUS RE	REVISION B	

© 2018 CommScope, Inc. Confidential

4

3

2

1