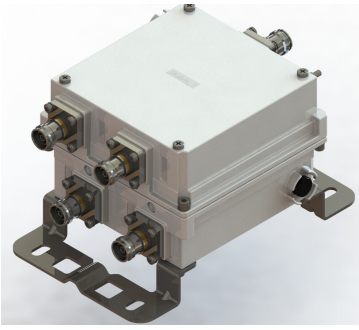


E14F55P26



Twin Diplexer, 703-788/811-960 MHz, DC Smart Bypass, 4.3-10 connectors

- Industry leading PIM performance
- Designed for network Modernization, introduction of LTE700 on existing site
- Twin configuration
- New 4.3-10 connectors for improved PIM performance and size reduction
- DC/AISG SMART bypass functionality

Product Classification

Product Type Diplexer

General Specifications

Color Gray

Modularity 2-Twin

Mounting Pole | Wall

Mounting Pipe Hardware Band clamps (2)

RF Connector Interface 4.3-10 Female

RF Connector Interface Body Style Medium neck

Dimensions

Height 160 mm | 6.299 in

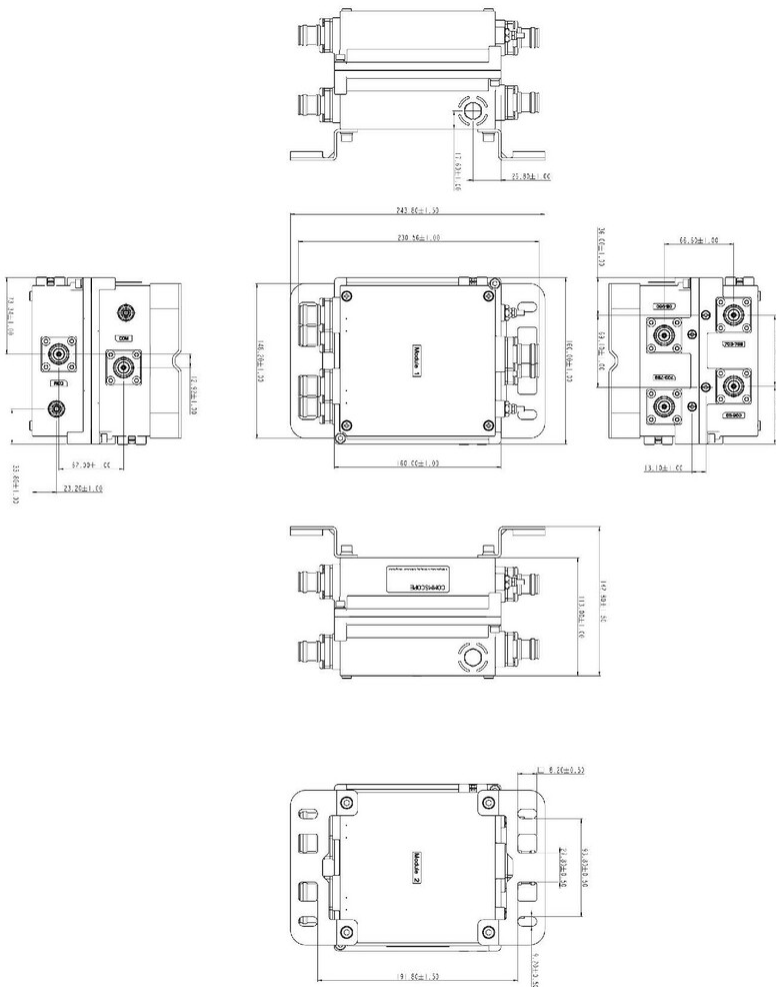
Width 113 mm | 4.449 in

Depth 160 mm | 6.299 in

Mounting Pipe Diameter Range 42.6–122 mm

Outline Drawing

E14F55P26



Electrical Specifications

| | |
|--------------------------------|-------------------|
| Impedance | 50 ohm |
| License Band, Band Pass | APT 700 CEL 900 |

Electrical Specifications, dc Power/Alarm

| | |
|--|---|
| dc/AISG Pass-through Method | Auto sensing |
| dc/AISG Pass-through Path | Auto sensing circuitry detects dc/AISG signal presence and selects path |
| dc/AISG Pass-through, combiner | Autosensing |
| dc/AISG Pass-through, demultiplexer | Autosensing |
| Lightning Surge Current | 10 kA |
| Lightning Surge Current Waveform | 8/20 waveform |

E14F55P26

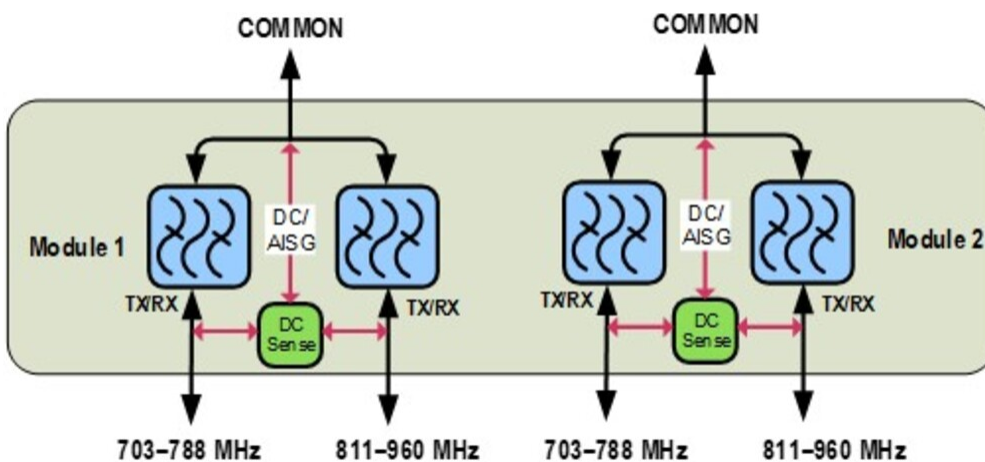
Electrical Specifications

| | | |
|-------------------------|--------------------|--------------------|
| Sub-module | 1 2 | 1 2 |
| Branch | 1 | 2 |
| Port Designation | 703-788 | 811-960 |
| License Band | APT 700, Band Pass | CEL 900, Band Pass |

Electrical Specifications, Band Pass

| | | |
|-------------------------------------|----------------------|----------------------|
| Frequency Range, MHz | 703-788 | 811-960 |
| Insertion Loss, typical, dB | 0.3 | 0.3 |
| Return Loss, typical, dB | 20 | 20 |
| Isolation, minimum, dB | 50 | 50 |
| Input Power, RMS, maximum, W | 250 | 250 |
| Input Power, PEP, maximum, W | 2500 | 2500 |
| 3rd Order PIM, typical, dBc | -162 | -162 |
| 3rd Order PIM Test Method | Two +43 dBm carriers | Two +43 dBm carriers |

Block Diagram



Environmental Specifications

| | |
|---------------------------------------|--------------------------------------|
| Operating Temperature | -40 °C to +65 °C (-40 °F to +149 °F) |
| Corrosion Test Method | IEC 60068-2-11, 30 days |
| Environmental Test Method | ETSI EN 300 019-1-4 |
| Ingress Protection Test Method | IEC 60529:2001, IP67 |

E14F55P26

Packaging and Weights

| | |
|--|-------------------|
| Included | Mounting hardware |
| Volume | 2.9 L |
| Weight, net | 3.9 kg 8.598 lb |
| Weight, without mounting hardware | 3.6 kg 7.937 lb |

Regulatory Compliance/Certifications

Agency

ISO 9001:2015



Classification

Designed, manufactured and/or distributed under this quality management system