

4

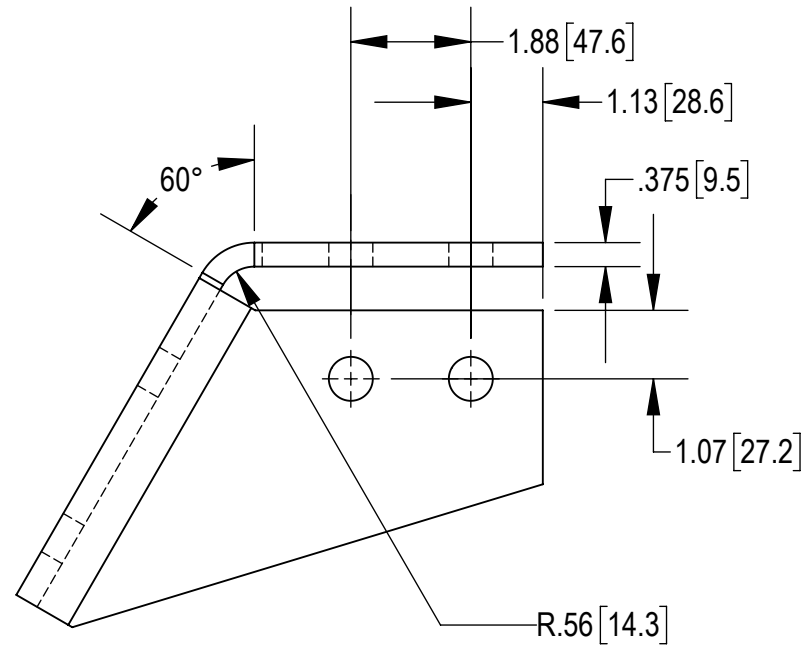
3

2

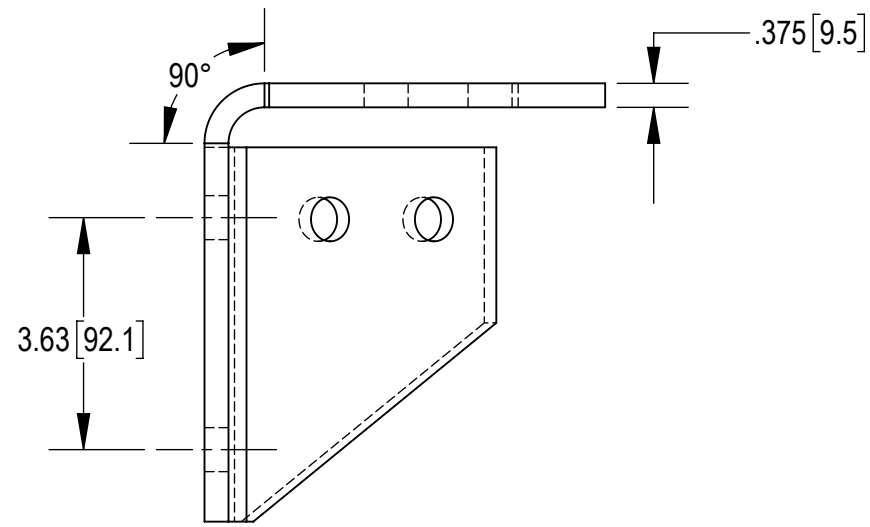
1

- 1.0 GENERAL NOTES
 - 1.1 ALL METRIC DIMENSIONS ARE IN BRACKETS [X.XX]
 - 1.2 MARK PART WITH IDENTIFICATION NUMBER
- 2.0 DESIGN NOTES
 - 2.1 DESIGNED PER CUSTOMER REQUIREMENTS
- 3.0 MANUFACTURING/SPECIAL REQUIREMENTS
 - 3.1 TIGHTEN ALL BOLTS SECURING FLAT PLATES BY THE TURN-OF-NUT METHOD. TIGHTEN ALL U-BOLTS USING TURN-OF-NUT METHOD WITH ATTENTION TO LEAVE EQUAL DISTANCE AND EQUAL FORCE ON EACH LEG OF THE U-BOLT.
- 4.0 TEST
- 5.0 PACKAGING
 - 5.1 PACKAGING SHALL MEET COMMSCOPE REQUIREMENTS PER DOCUMENT IS-PL-3005
 - 5.2 PRINTED DOCUMENT TO BE PLACED INSIDE POLYBAG AND THEN IN SHIPPING CONTAINER
 - 5.3 EXTRA HARDWARE MAYBE SUPPLIED, BAGGED AND SHIPPED

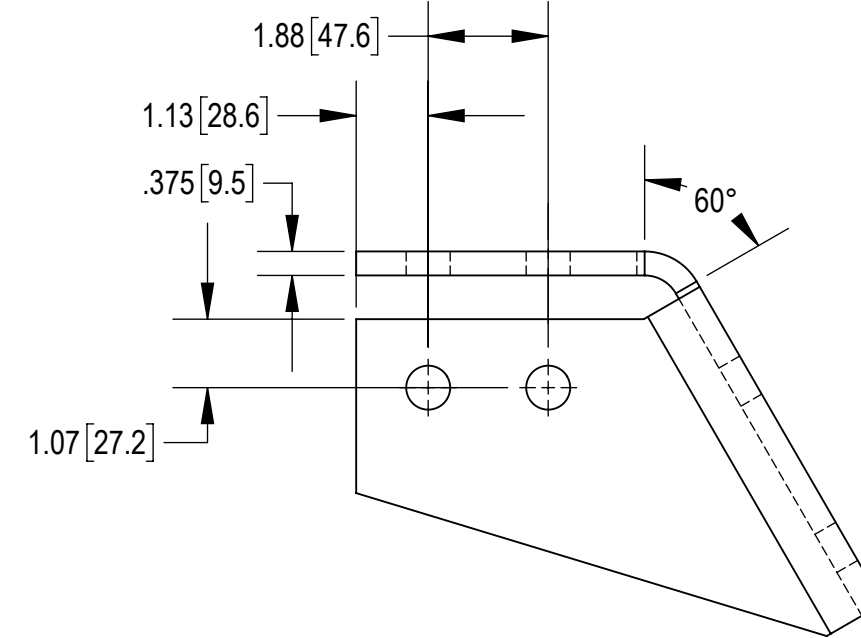
REVISIONS			
REV.	DESCRIPTION	DATE	APPROVED
A	INITIAL RELEASE	MRC 23APR20	BCAMPBELLCON 8000040262
B	REPLACE GUB-53060 WITH GUB-53050	HW1041 14FEB22	BCROSS 40141787CMO
C	ADDED 8X GWF-05	YMENG 06SEP22	VCORTEZ1 40155504CMO



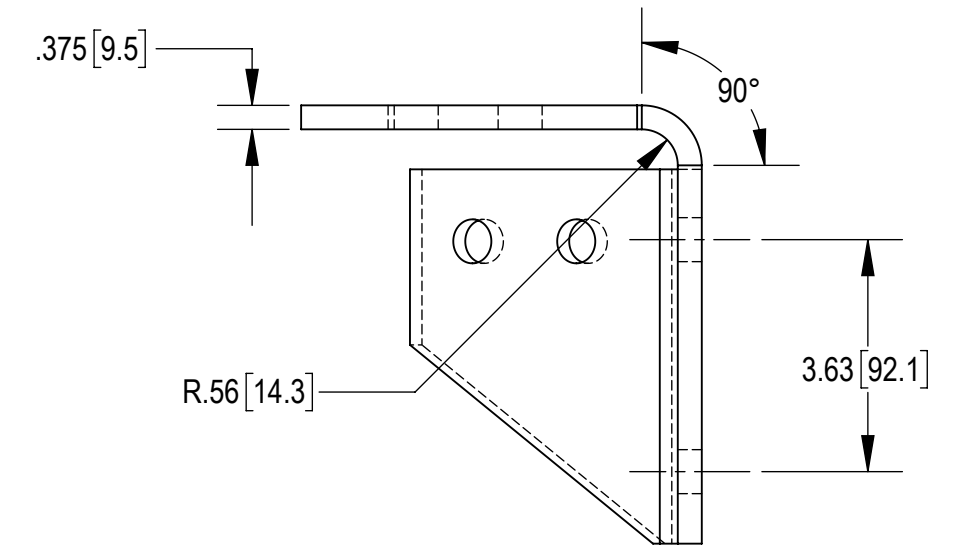
TOP VIEW



SIDE VIEW



TOP VIEW



SIDE VIEW

COMPONENT PART NUMBERS PROVIDED FOR ASSEMBLY PURPOSES;
INDIVIDUAL COMPONENTS MAY BE SHIPPED AS PARTS WITHIN AN INCLUDED KIT.

ITEM	PART NO.	DESCRIPTION	QTY.	NOTE
1	PLK2-F2L	CORNER BENT PLATE BRACKET, LH	1	
2	PLK2-F2R	CORNER BENT PLATE BRACKET, RH	1	
3	GUB-53050	5/8" X 3" X 5" GALV U-BOLT KIT	4	INCLUDES U-BOLT, FLAT WASHERS, LOCK WASHERS AND NUTS
4	GB-0520A	5/8" X 2" GALV BOLT KIT (A325)	8	INCLUDES BOLT, LOCK WASHER AND NUT
5	GWF-05	5/8" GALV FLAT WASHER, 1.70D	8	

DENSITY	26.96	lbs/in ³
MASS	26.96	lbs
VOLUME	94.97	in ³
SURFACE AREA	705.18	in ²
HEIGHT		
LENGTH		
WIDTH		

COMMSCOPE, INC. OF NORTH CAROLINA												
TOLERANCES						SAP MATERIAL MASTER						
0 PLACE X[X] ± .25[6.3]			2 PLACE .XX[X] ± 0.06[1.5]			VZWSMART-PLK3						
1 PLACE .X[X] ± 0.12[3.0]			ANGLES ± 2°									
FINISH						MATERIAL						
UNLESS OTHERWISE SPECIFIED DIMENSIONS ARE IN INCHES INTERPRET PER ANSI Y 14.5M-1994	CE	MRC	DATE	TITLE								
	RW	YMENG	09/09/2022	SUPPORT RAIL COERNER BRACKET								
	RV											
	AD	VCORTEZ1	09/09/2022									
	RE	YMENG	09/22/2022									
ECN 40155504CMO				SCALE	DOCUMENT NO.							
				1:2	VZWSMART-PLK3							
SIZE	WORK AREA	INSL	MODEL			DRAWING						
C			VERSION	STATUS	REVISION	VERSION	STATUS	REVISION	SHEET			
			01	RE	B	03	RE	C	1 OF 1			