

4

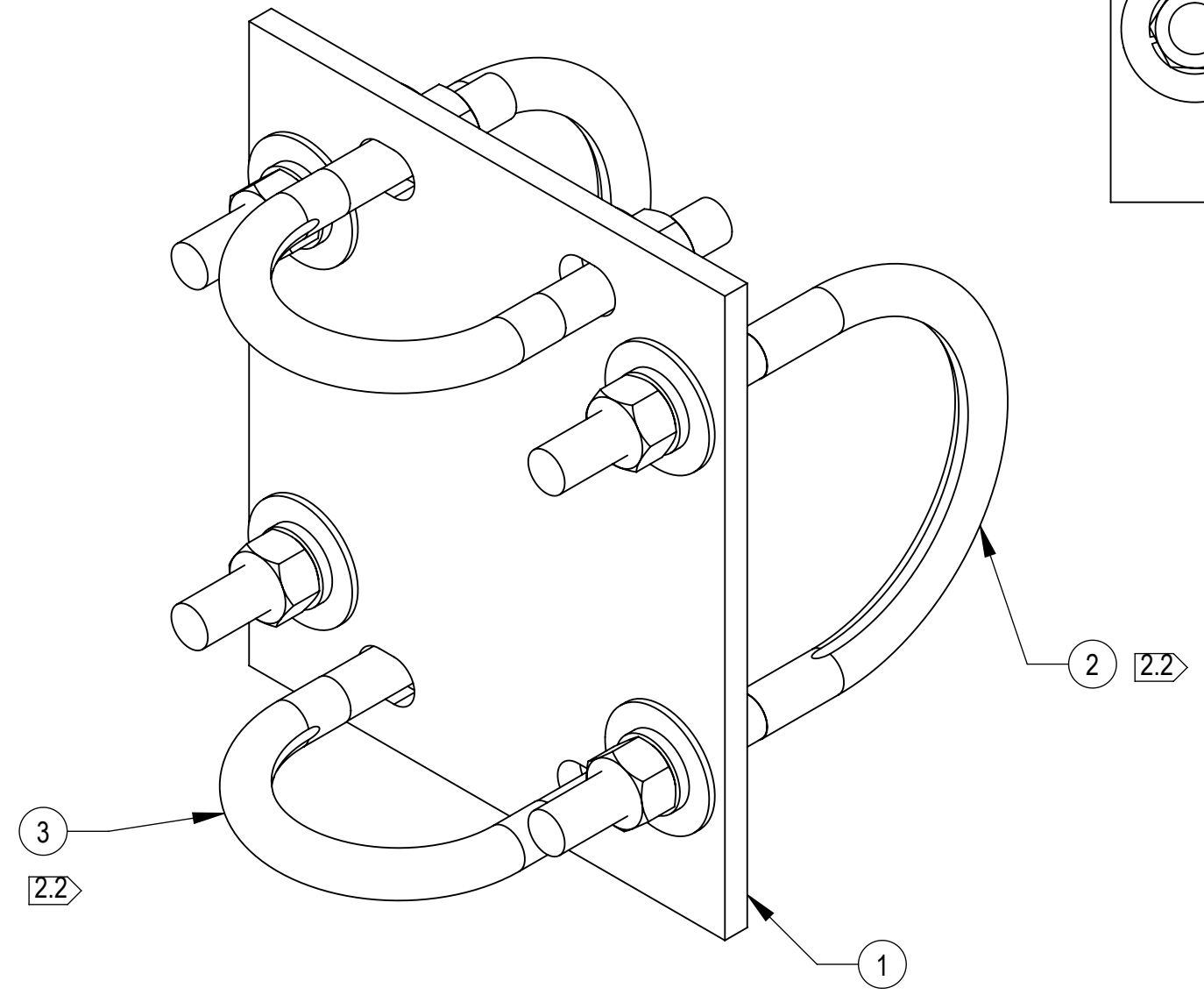
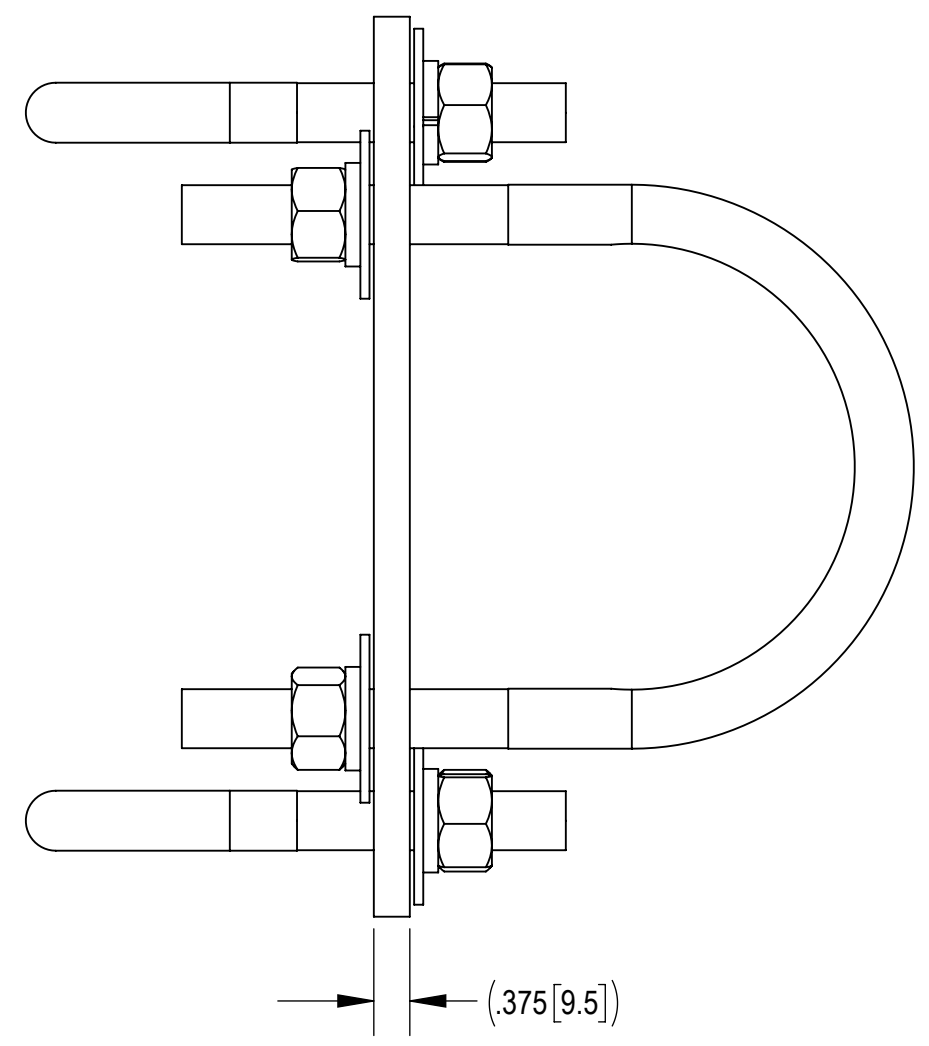
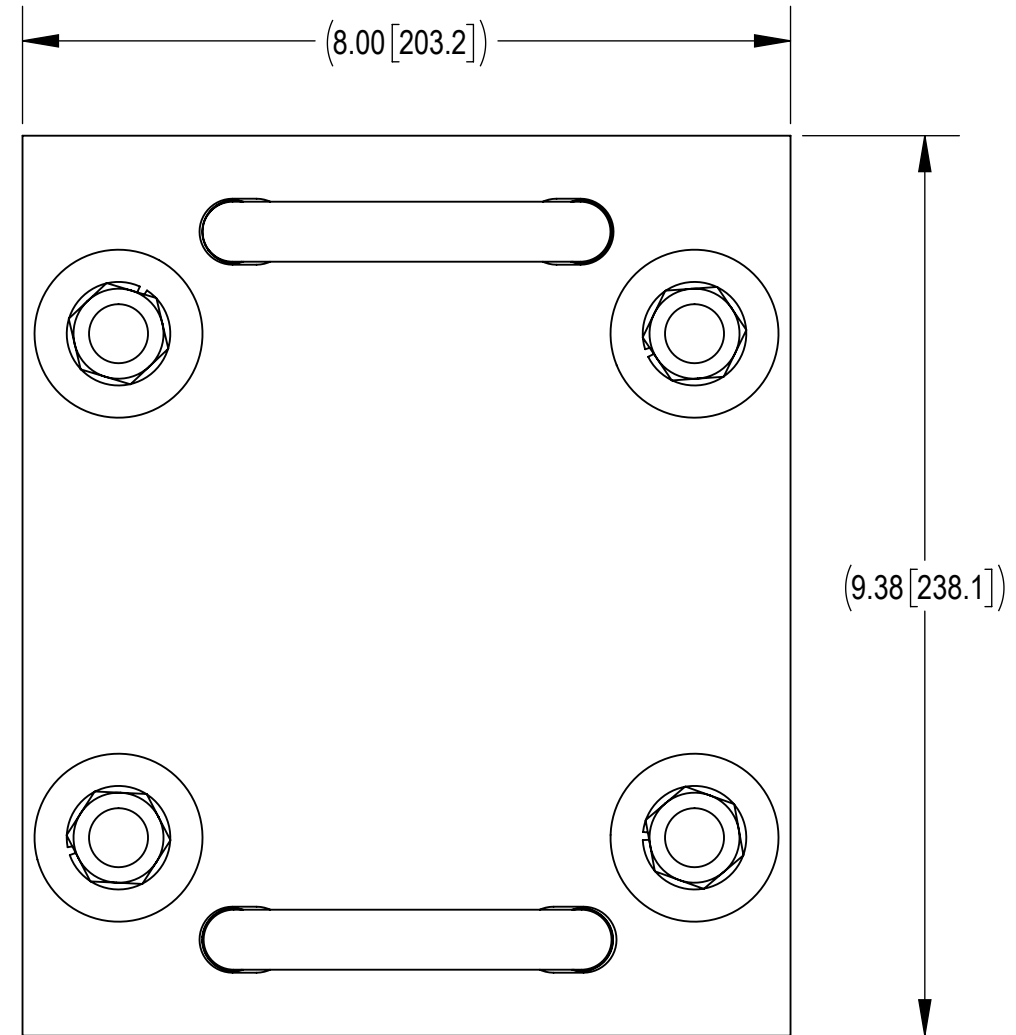
3

2

1

- 1.0 GENERAL NOTES
  - 1.1 ALL METRIC DIMENSIONS ARE IN BRACKETS [X.X]
  - 1.2 MARK PART WITH IDENTIFICATION NUMBER.
- 2.0 DESIGN NOTES
  - 2.1 DESIGNED PER CUSTOMER REQUIREMENTS.
  - 2.2 ITEMS 2 & 3 IS INCLUDED IN VZWSMART-MSK5HK
- 3.0 MANUFACTURING/SPECIAL REQUIREMENTS
  - 3.1 TIGHTEN ALL BOLTS SECURING FLAT PLATES BY THE TURN-OF-NUT METHOD. TIGHTEN ALL U-BOLTS USING TURN-OF-NUT METHOD WITH ATTENTION TO LEAVE EQUAL DISTANCE AND EQUAL FORCE ON EACH LEG OF THE U-BOLT.
- 4.0 TEST
- 5.0 PACKAGING
  - 5.1 PACKAGING SHALL MEET COMMSCOPE REQUIREMENTS PER DOCUMENT IS-PL-3005
  - 5.2 PRINTED DOCUMENT TO BE PLACED INSIDE POLYBAG AND THEN IN SHIPPING CONTAINER
  - 5.3 EXTRA HARDWARE MAYBE SUPPLIED, BAGGED AND SHIPPED

REVISIONS			
REV.	DESCRIPTION	DATE	APPROVED
A	INITIAL RELEASE	MRC 12MAY20	BCROSS 8000040262
B	UPDATED REFERENCE DIMENSIONS	ES1081 29DEC20	BCROSS 8000044529
C	REPLACED GUB-53060 WITH GUB-53050, ADD NOTE 2.2	HW1041 11FEB22	BCROSS 40141787CMO
D	GUB-545870 WAS GUB-5458	YMENG 07SEP22	VCORTEZ1 40156275CMO



COMPONENT PART NUMBERS PROVIDED FOR ASSEMBLY PURPOSES;  
INDIVIDUAL COMPONENTS MAY BE SHIPPED AS PARTS WITHIN AN INCLUDED KIT.

ITEM NO.	PART NUMBER	DESCRIPTION	QTY.
1	MTC4104-0020	CROSSOVER PLATE, .375 X 9.375 X 8	1
2	GUB-545870	5/8" X 4-5/8" X 7" GALV U-BOLT	2
3	GUB-53050	5/8" X 3" X 5" GALV U-BOLT KIT	2

DENSITY	13.61	lbs/in <sup>3</sup>
MASS	13.61	lbs
VOLUME	49.48	in <sup>3</sup>
SURFACE AREA	366.11	in <sup>2</sup>
HEIGHT	8.0[203.2]	
LENGTH	9.38[238.1]	
WIDTH	9.21[233.8]	

**COMMSCOPE, INC. OF NORTH CAROLINA**

TOLERANCES		SAP MATERIAL MASTER							
0 PLACE X[X] ± .25[6.3]	2 PLACE .XX[X] ± 0.06[1.5]	<b>VZWSMART-MSK5</b>							
1 PLACE .X[X] ± .12[3.0]	ANGLES ± 2°								
FINISH		MATERIAL							
UNLESS OTHERWISE SPECIFIED DIMENSIONS ARE IN INCHES INTERPRET PER ANSI Y 14.5M-1994		NAME	DATE	<b>CROSSOVER PLATE</b>					
		CE MRC	04/13/20						
		RW YMENG	09/09/2022						
		RV VCORTEZ1	09/12/2022						
AD VCORTEZ1	09/12/2022	<b>VZWSMART-MSK5</b>							
RE YMENG	09/22/2022								
ECN 40156275CMO	SCALE <b>1:2</b>	DOCUMENT NO.							
SIZE	WORK AREA	INSL	MODEL	DRAWING					
<b>C</b>			VERSION	STATUS	REVISION	VERSION	STATUS	REVISION	SHEET
			03	RE	C	07	RE	D	1 OF 2

4

3

2

1

D

D

C

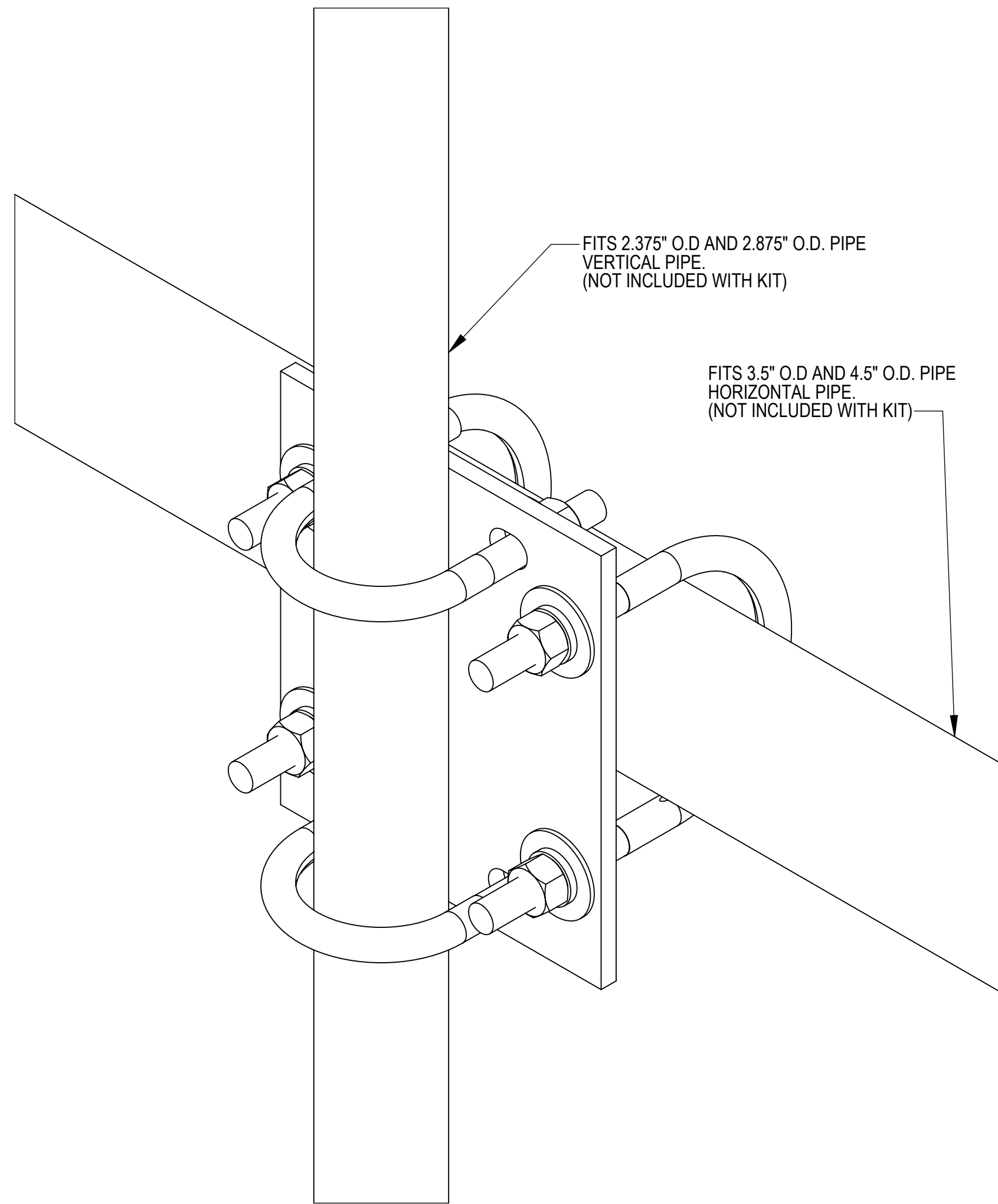
C

B

B

A

A




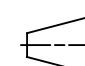
FITS 2.375" O.D AND 2.875" O.D. PIPE  
 VERTICAL PIPE.  
 (NOT INCLUDED WITH KIT)

FITS 3.5" O.D AND 4.5" O.D. PIPE  
 HORIZONTAL PIPE.  
 (NOT INCLUDED WITH KIT)

COMMSCOPE, INC. OF NORTH CAROLINA

TITLE  
**CROSSOVER PLATE**

SIZE <b>C</b>	SCALE <b>1:2</b>	DOCUMENT NO. <b>VZWSMART-MSK5</b>		
------------------	---------------------	--------------------------------------	--	--

 	DRAWING			SHEET 2 OF 2
	VERSION 07	STATUS RE	REVISION D	

© 2022 CommScope, Inc. Confidential

4

3

2

1

