

4

3

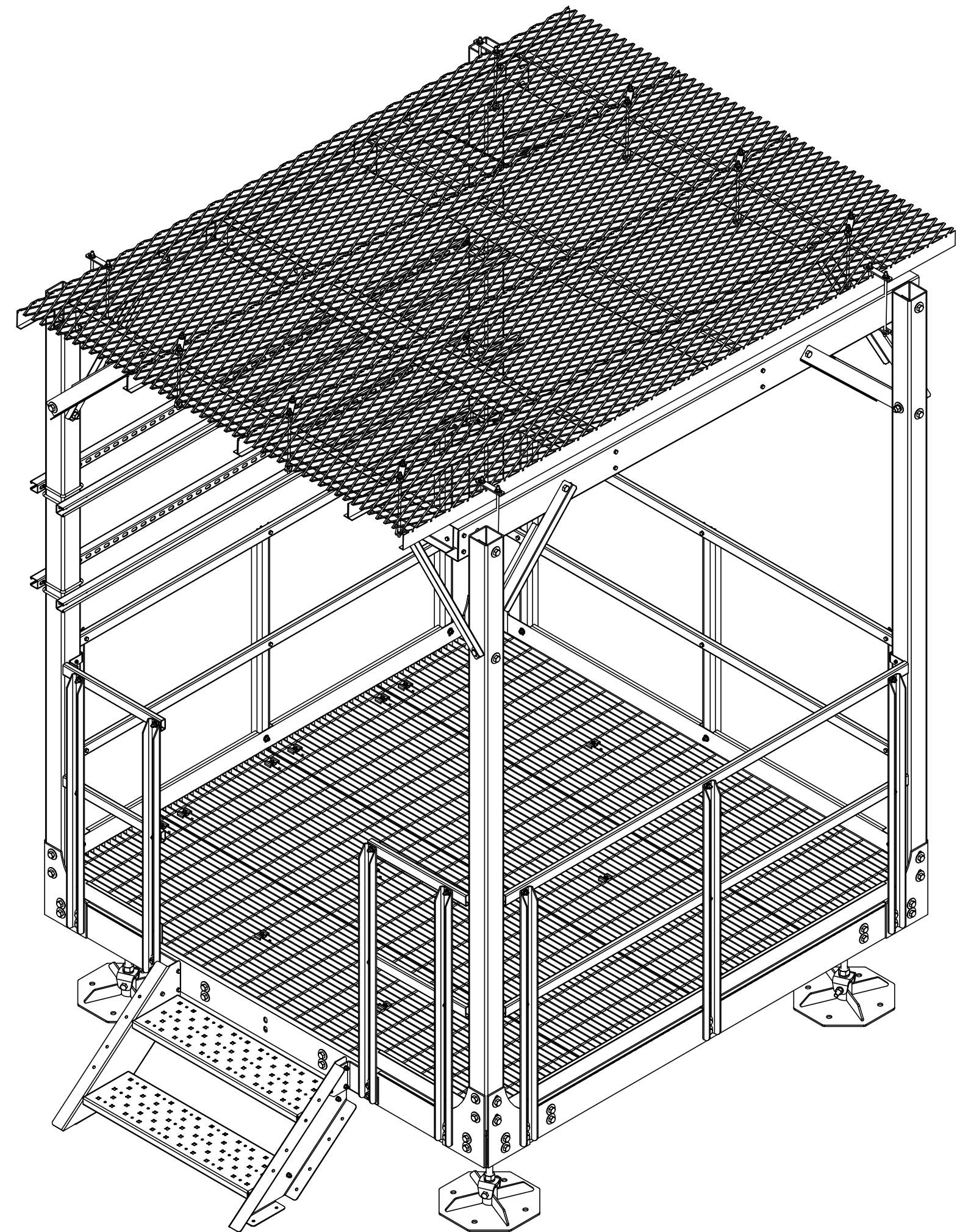
2

1

NOTES:

1.0 ALL METRIC DIMENSIONS ARE IN BRACKETS.

REVISIONS				
REV.	ECN	DESCRIPTION	BY	DATE
A	8000024834	INITIAL RELEASE	RDLs	07/13/17
B	8000026202	ADDED SAFETY GRATE TIEDOWN	RJC	9/21/2017



ITEM	PART NO.	DESCRIPTION	QTY.	WEIGHT	NOTE NO.
1	EQPS36	STEP, GALVANIZED	2	16.93 LBS	
2	GB-03105	3/8" X 1" GALV BOLT KIT	59	0.05 LBS	
3	GB-03205	3/8" X 2" GALV BOLT KIT	26	0.08 LBS	
4	GB-05205	5/8" X 2" GALV BOLT KIT	100	0.26 LBS	
5	GB-05545	5/8" X 5-1/2" GALV BOLT KIT	28	0.56 LBS	
6	GCM03	GRATING CLIP	24	0.44 LBS	
7	GWF-03	3/8" GALV FLAT WASHER	87	0.01 LBS	
8	GWF-05	5/8" GALV FLAT WASHER	236	0.06 LBS	
9	MT504100	UNISTRUT, 100" LENGTH	4	14.47 LBS	
10	MTC371084	3/8" X 4" X 5" SQUARE U-BOLT	8	0.50 LBS	
11	MTC3813C14	CANOPY BRACE, 11 GA, 30"	8	4.18 LBS	
12	MTC3813S07	FRAME, RIGHT STAIR 2 STEP SIDE	1	11.00 LBS	
13	MTC3813S08	FRAME, LEFT STAIR 2 STEP SIDE	1	11.00 LBS	
14	MTC396602	BRACKET, CANOPY - ANGLE	8	1.13 LBS	
15	MTC3966100	CHANNEL, CANOPY SUPPORT - PRIMARY	2	37.95 LBS	
16	MTC3966110	POST, CANOPY - 4 X 4	4	112.545 LBS	
17	MTC396613	8' Platform Channel Center	4	62.60 LBS	
18	MTC396614	8' Platform Channel	2	65.38 LBS	
19	MTC396615	Channel, Foot Mounting	4	18.49 LBS	
20	MTC396616	CHANNEL, CANOPY SUPPORT - SECONDARY	4	24.26 LBS	
21	MTC396620	POST, HANDRAIL	13	12.93 LBS	
22	MTC396621	PLATE, CANOPY LEG SUPPORT	8	6.47 LBS	
23	MTC396624	BRACKET, STEP MOUNTING	2	3.72 LBS	
24	MTC396627	HANDRAIL, HORIZONTAL	6	15.65 LBS	
25	MTC396628	PLATE, HANDRAIL TOEBOARD	3	14.50 LBS	
26	MTC396629	HANDRAIL, HORIZONTAL	4	3.79 LBS	
27	MTC396630	PLATE, HANDRAIL TOEBOARD	2	3.16 LBS	
28	MTCP.01	6" Channel Adapter Angle	16	3.18 LBS	
29	MTC79020808.03	24" X 96" BAR GRATING	4	114.17 LBS	
30	EQ-P-DF	EQUIPMENT PLATFORM DISPLACEMENT FOOT	4	37.77 LBS	
31	MTC396634	BRACKET, HANDRAIL - TIE	4	0.46 LBS	
32	SS02501	SCREW, SELF DRILL HEX HD, 1/4 X 3/4, SS	16	0.02 LBS	
33	WB-CY210	SAFETY GRATED WAVEGUIDE BRIDGE CHANNEL	3	49.23 LBS	
34	WB-CY110	SAFETY GRATING 12" X 10'	1	36.54 LBS	
35	MT-377	3/8" X 12" GALV THREADED ROD	20	0.37 LBS	
36	GWL-03	3/8" GALV LOCK WASHER	40	0.01 LBS	
37	GN-03	3/8" GALV HEX NUT	40	0.02 LBS	
38	MTC397601	PLATE, SAFETY GRATE TIEDOWN	20	0.33 LBS	

COMMScope, INC. OF NORTH CAROLINA

TOLERANCES		SAP MATERIAL MASTER	
0 PLACE X ± .25	2 PLACE .XX ± .06	MTC39768	
1 PLACE X ± .12	ANGLES ± 2°		
FINISH		MATERIAL	
GALV A123		A36,A529,A568,A572,A1011	
UNLESS OTHERWISE SPECIFIED DIMENSIONS ARE IN MILLIMETERS INTERPRET PER ISO STANDARDS HANDBOOK TECHNICAL DRAWINGS VOLUMES 1 & 2, THIRD EDITION (2002)		NAME	DATE
CE	RDLs	07/13/17	TITLE
RV			8x8 PLATFORM WITH ICE SHIELD AND HANDRAIL
AD			
RE	TP	07/13/17	SCALE
ECN	8000024834		DOCUMENT NO.
			1:18 MTC39768
SIZE	WORK AREA	MODEL	
C		VERSION	DRAWING
		STATUS	REVISION
		VERSION	STATUS
		REVISION	REVISION
			B
			SHEET
			1 OF 5

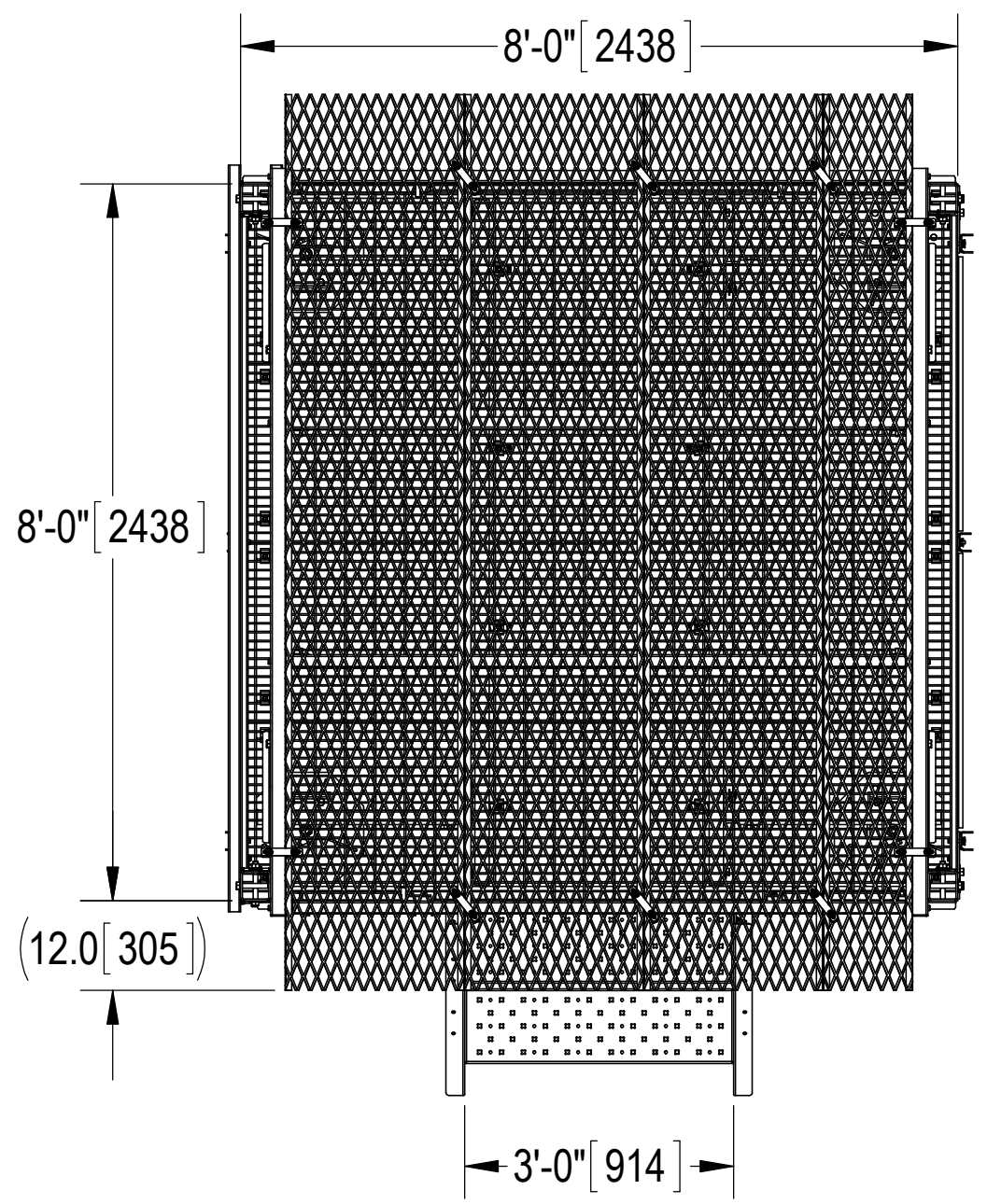
4

3

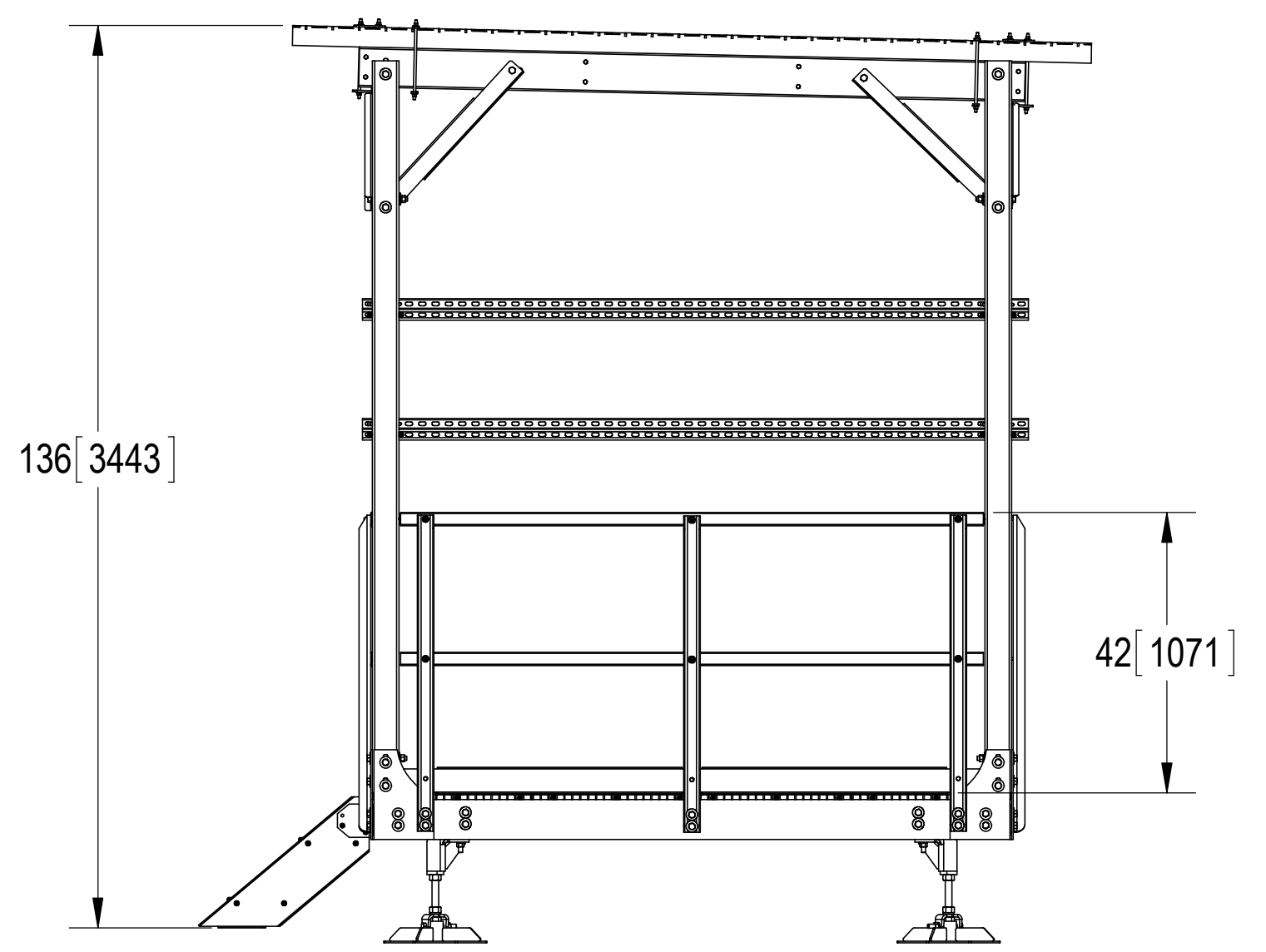
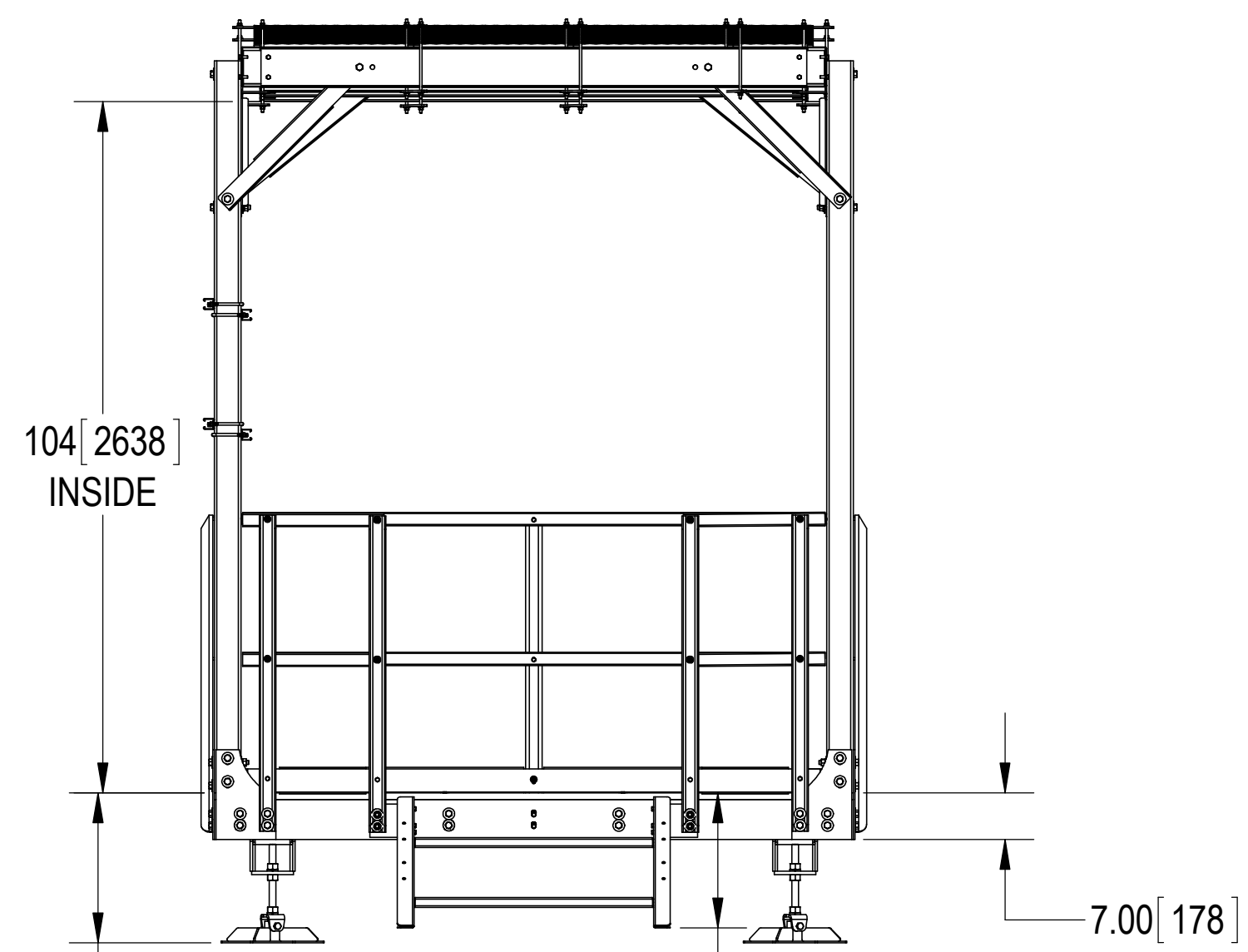
2

1

NOTES:



NOTE: PLATFORM FEET ARE WITHIN THE 8 X 8 PLATFORM FOOTPRINT.



LEGS ADJUSTABLE +/- 5" TO ACCOUNT FOR GRADE

COMMSCOPE, INC. OF NORTH CAROLINA				
TITLE				
8x8 PLATFORM WITH ICE SHIELD AND HANDRAIL				
SIZE	SCALE	DOCUMENT NO.		
C	1:24	MTC39768		
		DRAWING		SHEET
		VERSION	STATUS	REVISION
				B
				2 OF 5

© 2015 CommScope, Inc. Confidential

4

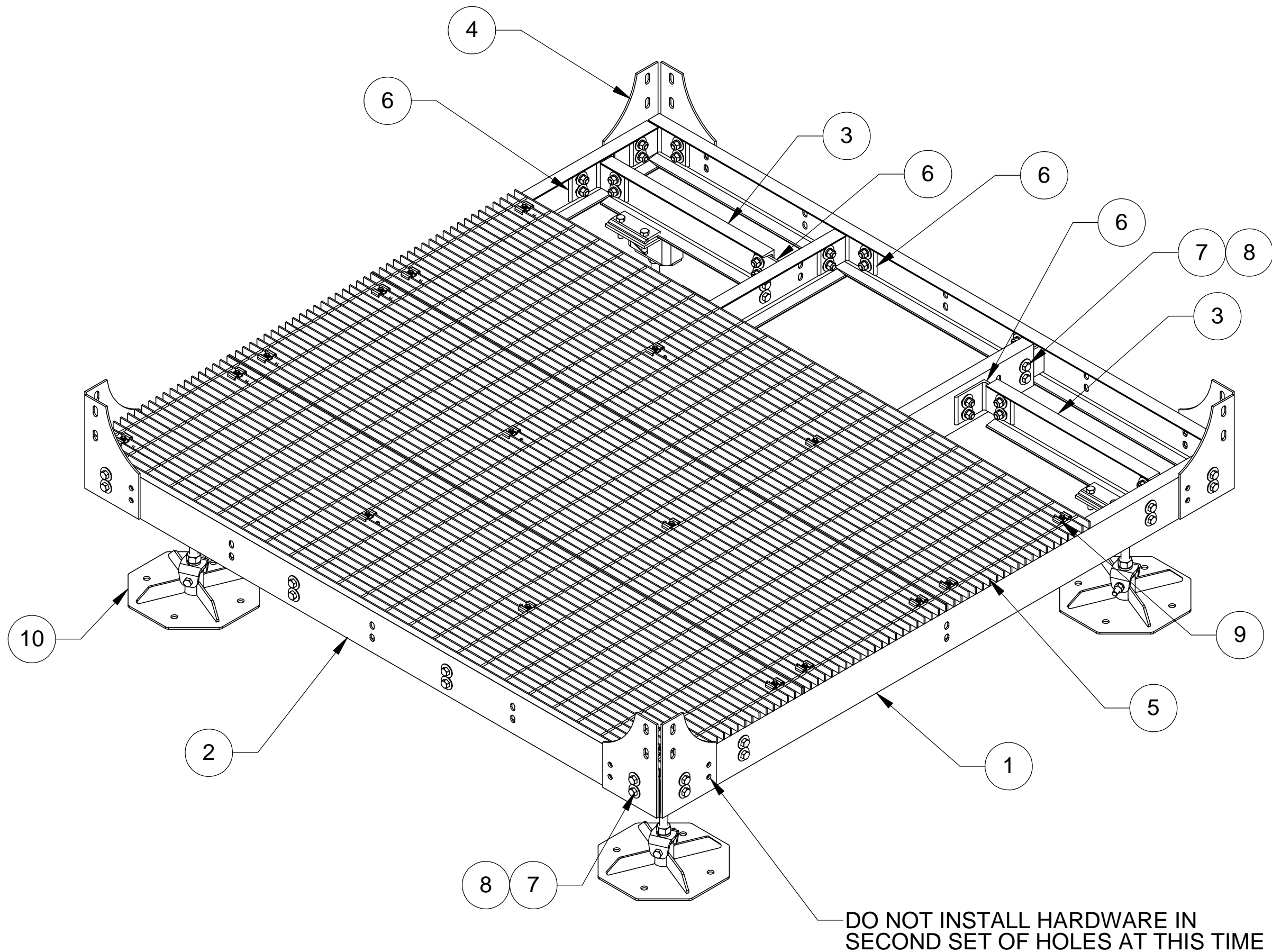
3

2

1

NOTES:

LOCATION OF HARDWARE AND ORIENTATION OF BRACKETS IS CRITICAL



DO NOT INSTALL HARDWARE IN SECOND SET OF HOLES AT THIS TIME

SOME ITEMS OMITTED FOR CLARITY

ITEM	PART NO.	DESCRIPTION	QTY.	WEIGHT	NOTE NO.
1	MTC396613	8' Platform Channel Center	4	62.60 LBS	
2	MTC396614	8' Platform Channel	2	65.38 LBS	
3	MTC396615	Channel, Foot Mounting	4	18.49 LBS	
4	MTC396621	PLATE, CANOPY LEG SUPPORT	8	6.47 LBS	
5	MTC79020808.03	24" X 96" BAR GRATING	4	114.17 LBS	
6	MTCP.01	6" Channel Adapter Angle	16	3.18 LBS	
7	GB-05205	5/8" X 2" GALV BOLT KIT	64	0.26 LBS	
8	GWF-05	5/8" GALV FLAT WASHER	128	0.06 LBS	
9	GCM03	GRATING CLIP	24	0.44 LBS	
10	EQ-P-DF	EQUIPMENT PLATFORM DISPLACEMENT FOOT	4	37.77 LBS	

COMMSCOPE, INC. OF NORTH CAROLINA				
TITLE 8 X 8 PLATFORM				
SIZE C	SCALE 1:12	DOCUMENT NO. MTC39768		
DRAWING		VERSION	STATUS	REVISION
				B
				SHEET 3 OF 5

4

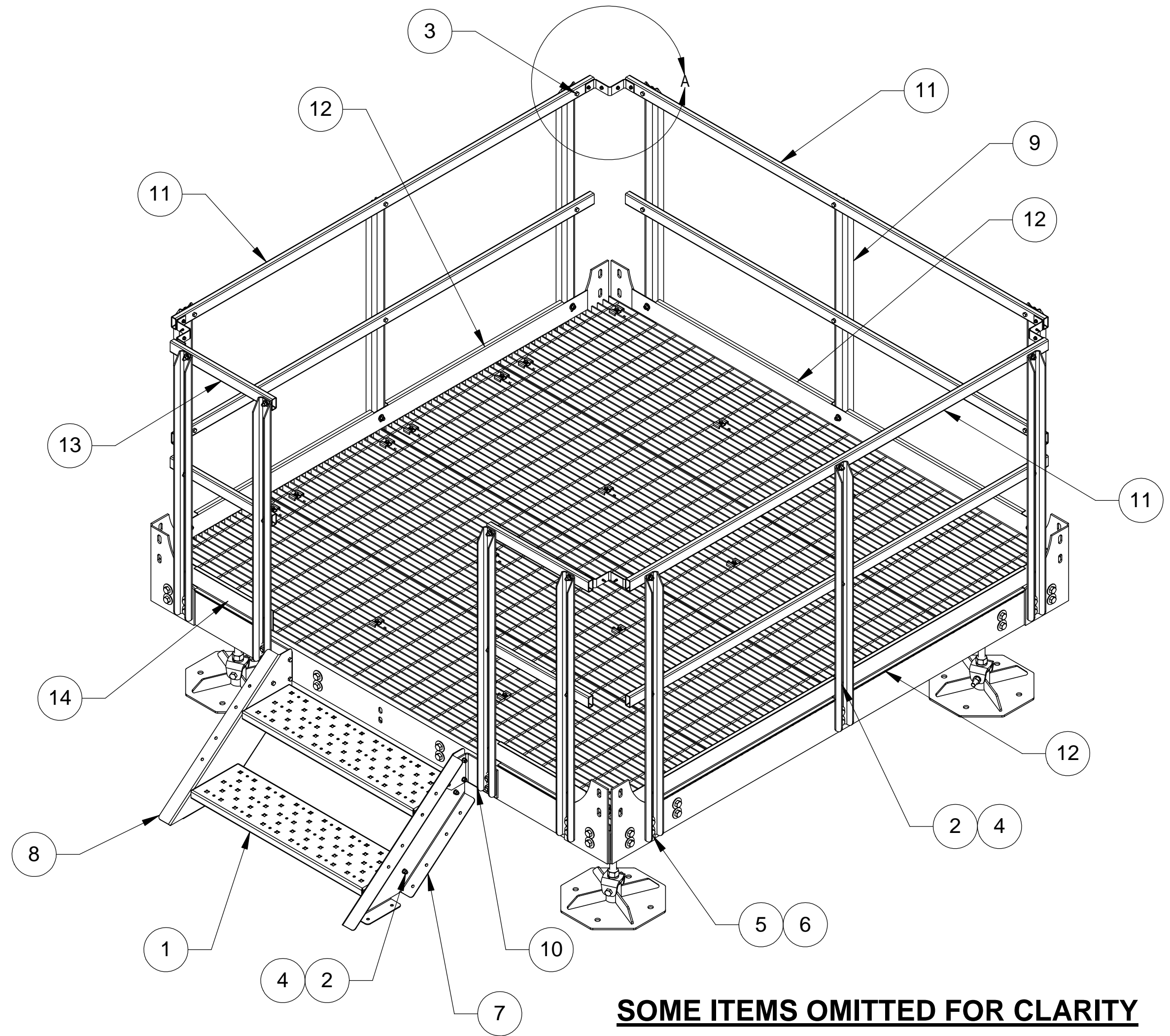
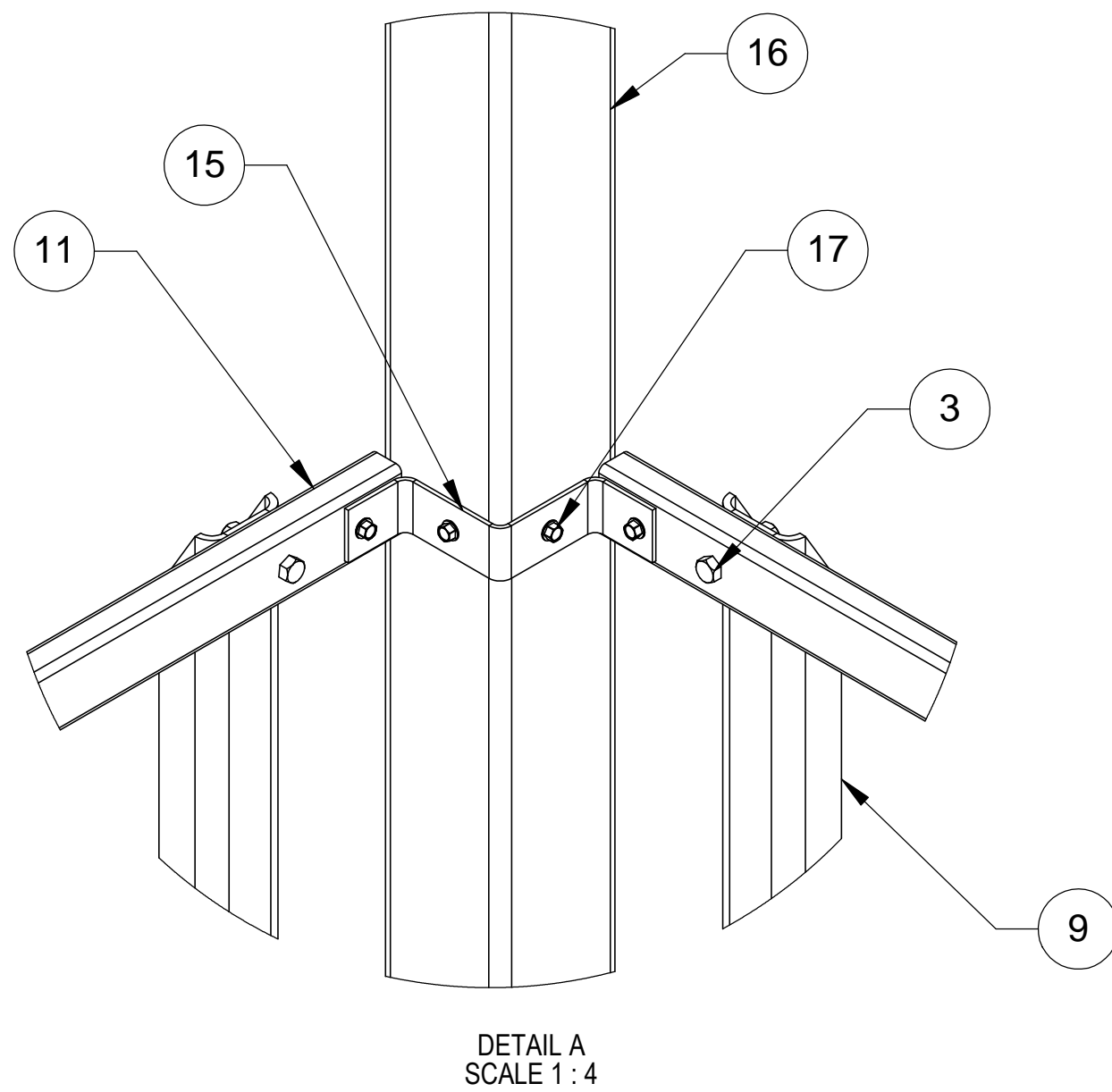
3

2

1

NOTES:

ASSEMBLE HANDRAIL CORNER BRACES (ITEM 15) AFTER CANOPY ASSEMBLY HAS BEEN COMPLETED.



ITEM	PART NO.	DESCRIPTION	QTY.	WEIGHT	NOTE NO.
1	EQPS36	STEP, GALVANIZED	2	16.93 LBS	
2	GB-03105	3/8" X 1" GALV BOLT KIT	27	0.05 LBS	
3	GB-03205	3/8" X 2" GALV BOLT KIT	26	0.08 LBS	
4	GW-03	3/8" GALV FLAT WASHER	47	0.01 LBS	
5	GB-05205	5/8" X 2" GALV BOLT KIT	30	0.26 LBS	
6	GW-05	5/8" GALV FLAT WASHER	52	0.06 LBS	
7	MTC3813S07	FRAME, RIGHT STAIR 2 STEP SIDE	1	11.00 LBS	
8	MTC3813S08	FRAME, LEFT STAIR 2 STEP SIDE	1	11.00 LBS	
9	MTC396620	POST, HANDRAIL	13	12.93 LBS	
10	MTC396624	BRACKET, STEP MOUNTING	2	3.72 LBS	
11	MTC396627	HANDRAIL, HORIZONTAL	6	15.65 LBS	
12	MTC396628	PLATE, HANDRAIL TOEBOARD	3	14.50 LBS	
13	MTC396629	HANDRAIL, HORIZONTAL	4	3.79 LBS	
14	MTC396630	PLATE, HANDRAIL TOEBOARD	2	3.16 LBS	
15	MTC396634	BRACKET, HANDRAIL - TIE	4	0.46 LBS	
16	MTC3966110	POST, CANOPY - 4 X 4	1	112.545 LBS	
17	SS02501	SCREW, SELF DRILL HEX HD, 1/4 X 3/4, SS	16	0.02 LBS	
18	MTC396602	BRACKET, CANOPY - ANGLE	1	1.13 LBS	

COMMScope, INC. OF NORTH CAROLINA

TITLE
8x8 PLATFORM WITH ICE SHIELD AND HANDRAIL

SIZE **C** SCALE **1:14** DOCUMENT NO. **MTC39768**

DRAWING		SHEET 4 OF 5
VERSION	REVISION	
	B	

4

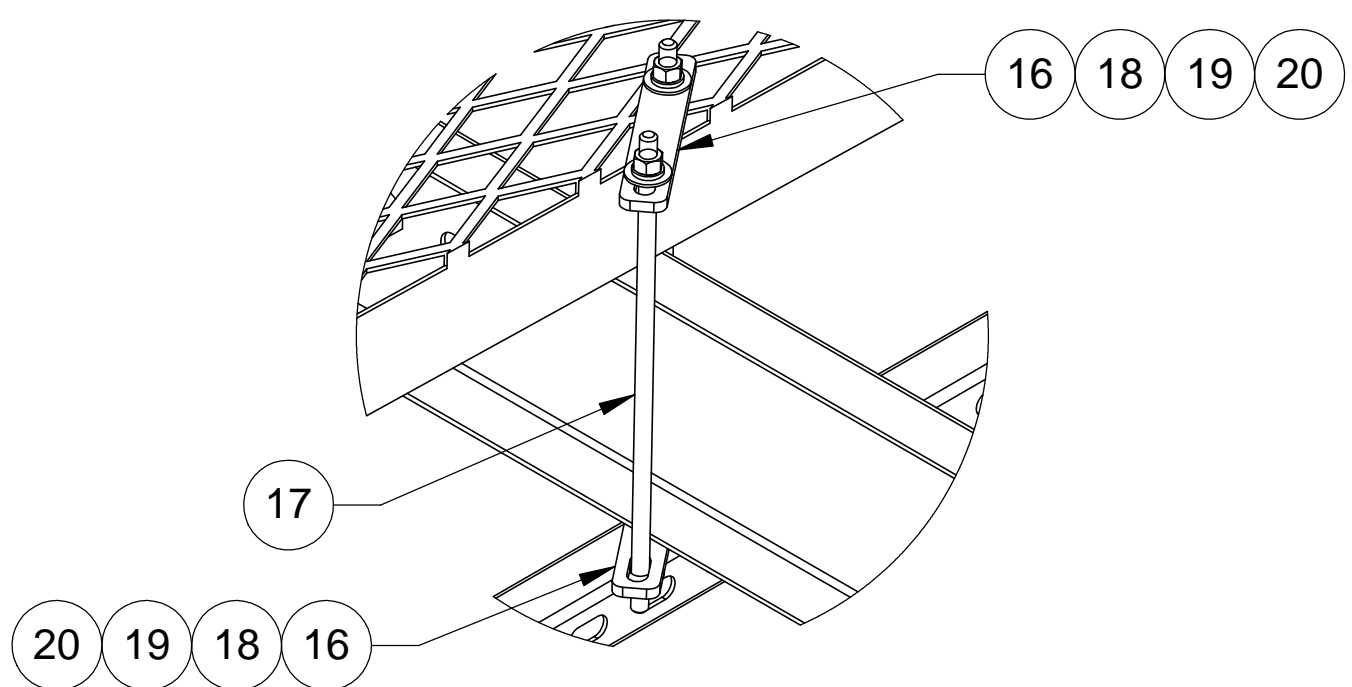
3

2

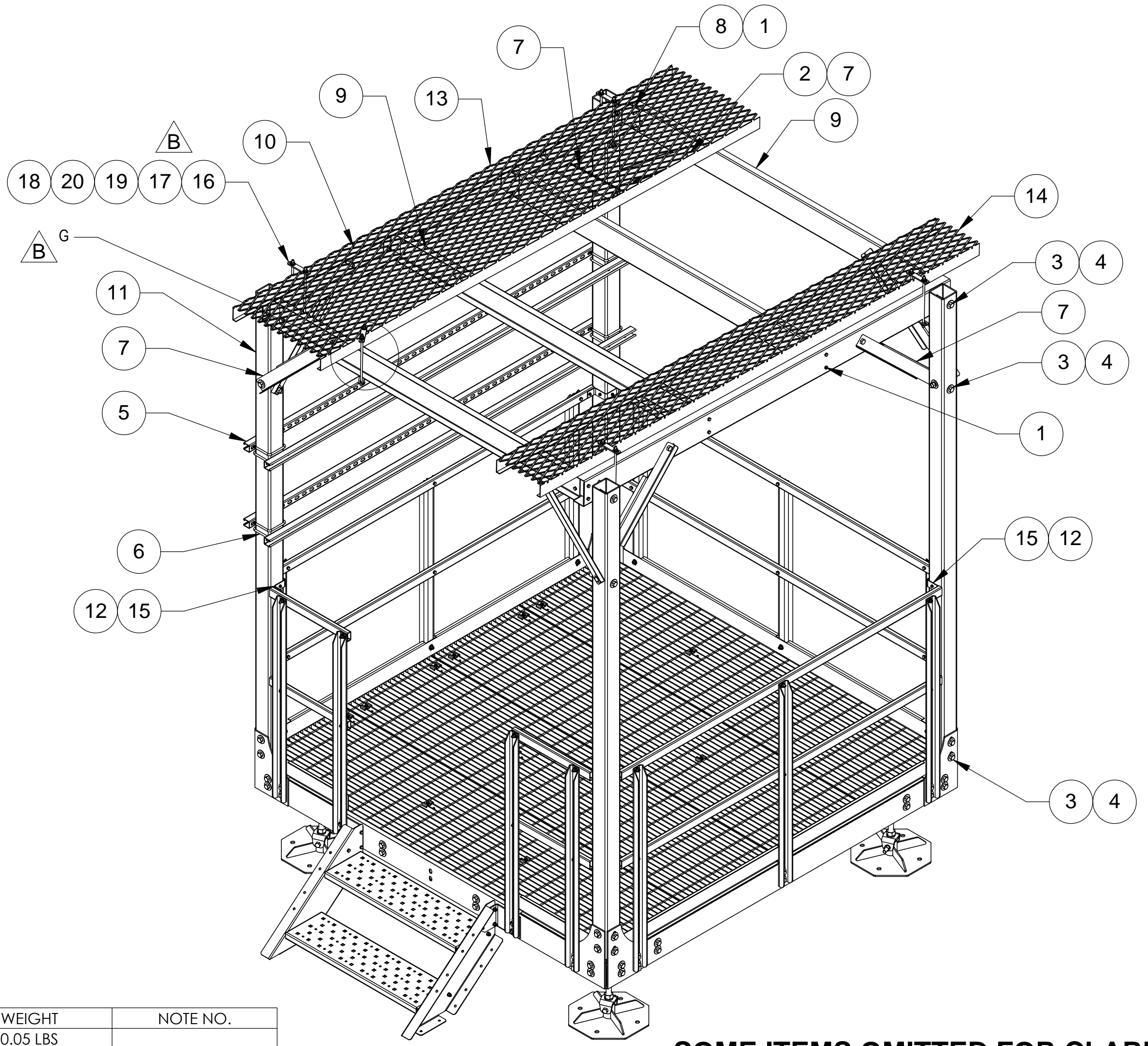
1

NOTES:

1. LEAVE $\phi 5/8"$ X 5.5" BOLTS LOOSE UNTIL ENTIRE CANOPY IS FRAMED.
2. ATTACH ITEM 7 KICKERS BEFORE TIGHTENING CANOPY BOLTS.
3. TIGHTEN ALL REMAINING BOLTS.
4. ATTACH CANOPY DECKING WITH SUPPLIED SCREWS.



DETAIL G
SCALE 1:4



SOME ITEMS OMITTED FOR CLARITY

ITEM	PART NO.	DESCRIPTION	QTY.	WEIGHT	NOTE NO.
1	GB-03105	3/8" X 1" GALV BOLT KIT	32	0.05 LBS	
2	GB-05205	5/8" X 2" GALV BOLT KIT	10	0.26 LBS	
3	GB-05545	5/8" X 5-1/2" GALV BOLT KIT	28	0.56 LBS	
4	GW-05	5/8" GALV FLAT WASHER	56	0.06 LBS	
5	MT504100	UNISTRUT, 100" LENGTH	4	14.47 LBS	
6	MTC371084	3/8" X 4" X 5" SQUARE U-BOLT	8	0.50 LBS	
7	MTC3813C14	CANOPY BRACE, 11 GA, 30"	8	4.18 LBS	
8	MTC396602	BRACKET, CANOPY - ANGLE	8	1.13 LBS	
9	MTC396616	CHANNEL, CANOPY SUPPORT - SECONDARY	4	24.26 LBS	
10	MTC3966100	CHANNEL, CANOPY SUPPORT - PRIMARY	2	37.95 LBS	
11	MTC3966110	POST, CANOPY - 4 X 4	4	112.545 LBS	
12	SS02501	SCREW, SELF DRILL HEX HD, 1/4 X 3/4, SS	12	0.02 LBS	
13	WB-CY210	SAFETY GRATED WAVEGUIDE BRIDGE CHANNEL	3	49.23 LBS	
14	WB-CY110	SAFETY GRATING 12' X 10'	1	36.54 LBS	
15	MTC396634	BRACKET, HANDRAIL - TIE	3	0.49 LBS	
16	MTC397601	PLATE, SAFETY GRATE TIEDOWN	10	0.33 LBS	
17	MT-377	3/8" X 12" GALV THREADED ROD	10	0.37 LBS	
18	GN-03	3/8" GALV HEX NUT	20	0.02 LBS	
19	GW-03	3/8" GALV FLAT WASHER	20	0.01 LBS	
20	GWL-03	3/8" GALV LOCK WASHER	20	0.01 LBS	

COMMSCOPE, INC. OF NORTH CAROLINA			
TITLE			
8x8 PLATFORM WITH ICE SHIELD AND HANDRAIL			
SIZE	SCALE	DOCUMENT NO.	
C	1:18	MTC39768	
DRAWING			SHEET
VERSION	STATUS	REVISION	5 OF 5
		B	