

HMT-BCM2A1000FU000



NOVUX™ Hardened Multi-fiber Terminal, 12 HMFOC ports, 2 fibers per port, Dielectric flat loose tube cable with HMFOC plug (female/no pin), 1000 ft/304 m, with universal mounting bracket

- NOVUX™ Hardened Multi-fiber Terminals incorporate hardened connector technology that is designed to withstand the rugged outside plant environment
- Hardened connectors are factory-integrated and environmentally sealed for use in optical drop cable deployments
- Plug and play adapter ports ensure rapid cable installment in the outside plant access section of the network
- NOVUX™ HMT terminals are well suited for fiber-rich applications and available with 12 or 24 Fibers; no internal splitter option
- Available with flat dielectric up to 24 fiber or flat toneable/locatable up to 12 fiber. Terminals can be used as a distribution point within a network or as a final multifiber drop terminal where more than a single fiber is required to service an SFU or cellular tower
- NOVUX™ smaller terminal size for aesthetics and allowing installation in constrained spaces
- NOVUX™ terminals are available in Black (RAL# 9005) or Gray (RAL# 7035)
- CommScope Product ID plate with QR code link to product documents and C-Track

Product Classification

| | |
|-------------------------------|---|
| Regional Availability | Asia EMEA Latin America North America |
| Product Type | Access terminal, without splitter/tap |
| Product Brand | NOVUX™ |
| Product Series | HMT |
| Minimum Order Quantity | 1 |

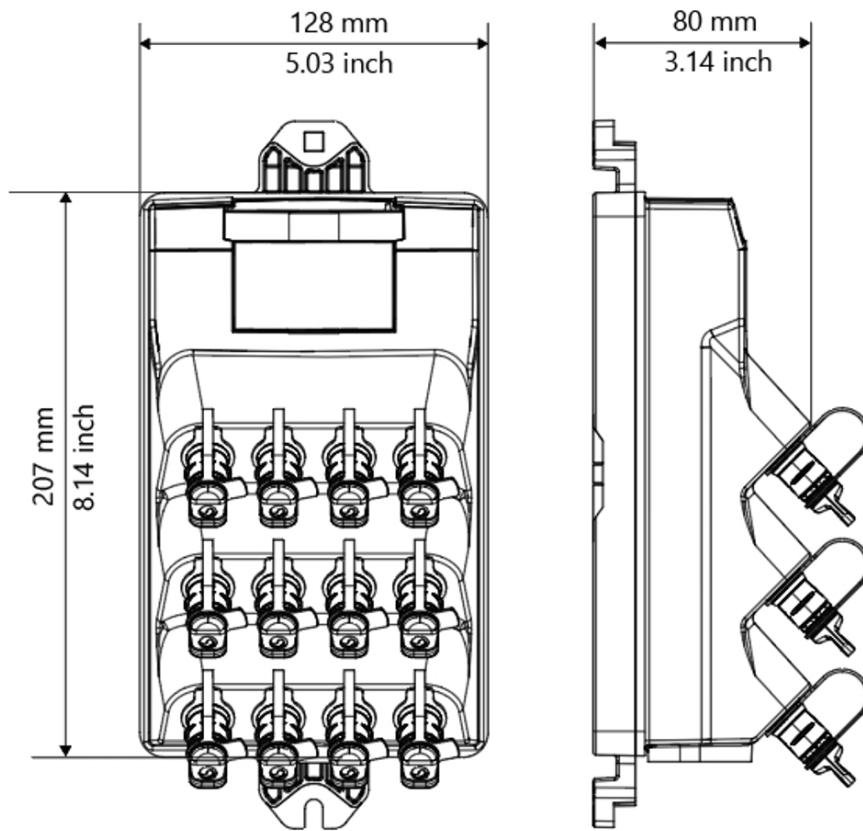
General Specifications

| | |
|-----------------------------------|--|
| Cable Type | Dielectric - Flat - Loose Tube |
| Cable, quantity | 1 |
| Distribution Type | 12 ports, 2 fibers per port |
| Drop Port Type | Hardened multi-fiber (HMFOC) jack, male/pinned |
| Enclosure Color | Black (RAL 9005) |
| Multi-fiber Port Type | Hardened multi-fiber (HMFOC) jack, male/pinned |
| Multi-fiber Port, quantity | 12 |
| Mounting | Handhole Pedestal Pole Strand |
| Port Type | Hardened multi-fiber (HMFOC) jack, male/pinned |

HMT-BCM2A1000FU000

| | |
|---------------------------|--|
| Port, quantity | 12 |
| Stub Type | Hardened multi-fiber (HMFOC) plug, female/no pin |
| Dimensions | |
| Height | 80 mm 3.15 in |
| Width | 128 mm 5.039 in |
| Length | 207 mm 8.15 in |
| Cable Length, stub | 1000 ft (304 m) |

Dimension Drawing

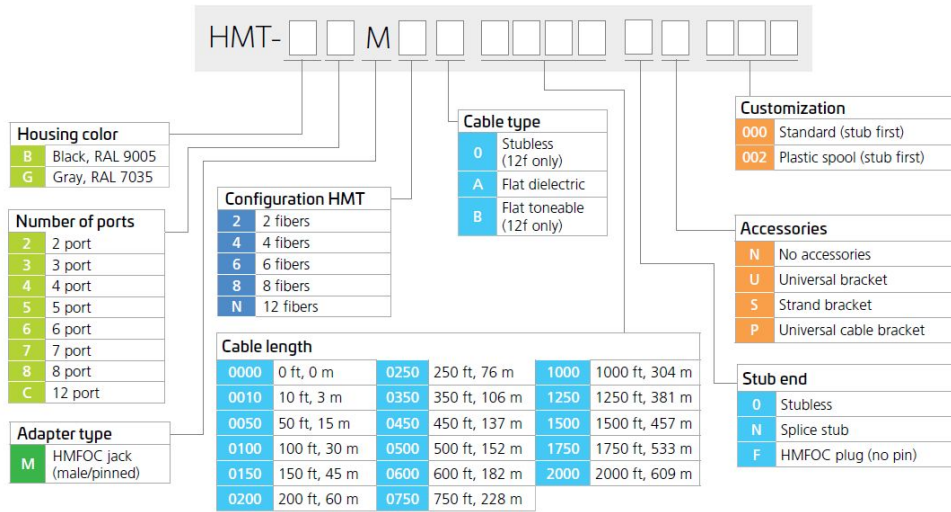


Port Configuration

| NOVUX HT | TECHNOLOGIES AVAILABLE | SMALL | MEDIUM | LARGE |
|------------|------------------------|---------------------------------|--------------------------|-------------------|
| HMT Series | Multi-fiber | Up to 24f | Up to 24f | Up to 24f |
| | | 2 ports, each 2, 4, 6, 8 or 12f | 6 ports, each 2, 3 or 4f | 12 ports, each 2f |
| | | 3 ports, each 2, 4, 6, or 8f | 8 ports 2 or 3f | |
| | | 4 ports, each 2, 4, or 6f | | |

HMT-BCM2A1000FU000

Ordering Tree



Material Specifications

Enclosure Material Type Hardened plastic

Optical Specifications

Operating Wavelength Range 1260 – 1635 nm

Attenuation Single Ports, maximum 0.65 dB

Attenuation Cable Coefficient, maximum 0.30 dB/km @ 1550 nm | 0.40 dB/km @ 1310 nm

Insertion Loss, Stub Connector, maximum 0.65 dB

Return Loss, Connector, typical 65 dB

Environmental Specifications

Operating Temperature -40 °C to +65 °C (-40 °F to +149 °F)

Relative Humidity 5%–100%, condensing

Environmental Space Above ground | Below ground

Qualification Standards IEC 60529, IP68 + 2 m waterhead | IEC 61753-1, category G

UV Resistance UV stabilized

Packaging and Weights

Included Universal mounting bracket

Packaging quantity 1

HMT-BCM2A1000FU000

Packaging Type

Box | Universal spool, wood: terminal is on the top of the spool, stub deploys first

Regulatory Compliance/Certifications

Agency**Classification**

CHINA-ROHS

Below maximum concentration value

ISO 9001:2015

Designed, manufactured and/or distributed under this quality management system

REACH-SVHC

Compliant as per SVHC revision on www.commscope.com/ProductCompliance

ROHS

Compliant

UK-ROHS

Compliant

