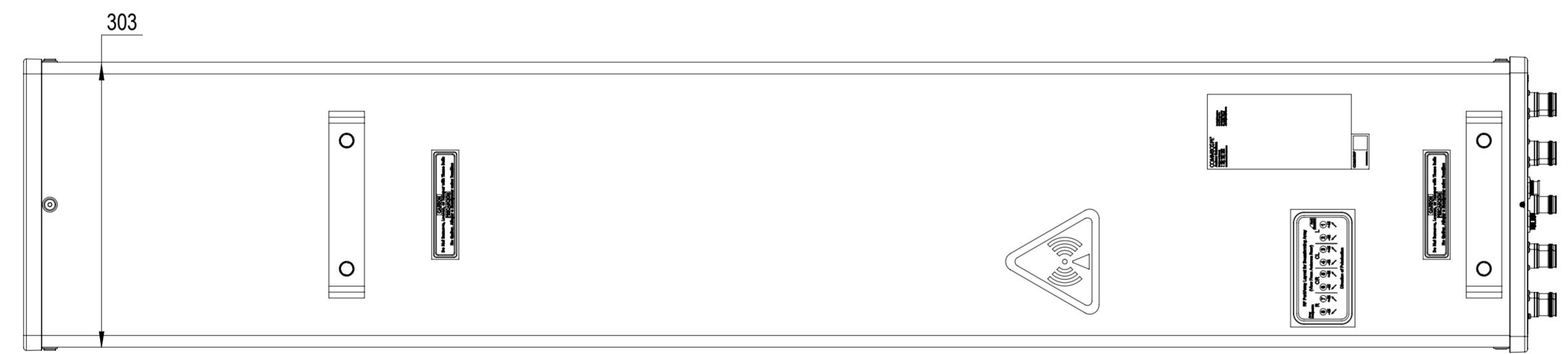
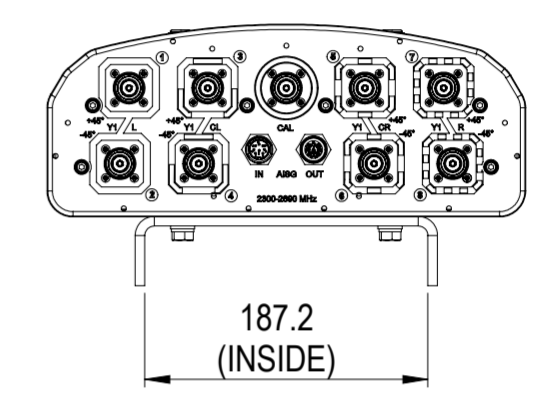


REVISIONS			
REV.	DESCRIPTION	DATE	APPROVED
A	ECR 16787: RELEASE TO PRODUCTION PER EAO 610690.	14MAR2022 SS	KP/MN



T4-90A-R1-V6

**COMMSCOPE, INC. OF NORTH CAROLINA**

TOLERANCES		SAP MATERIAL MASTER	
0 PLACE X ±	2 PLACE .XX ±		
1 PLACE .X ±	ANGLES ±		
FINISH		MATERIAL	

UNLESS OTHERWISE SPECIFIED DIMENSIONS ARE IN MILLIMETERS INTERPRET PER ISO STANDARDS HANDBOOK TECHNICAL DRAWINGS VOLUMES 1 & 2, THIRD EDITION (2002)	NAME	DATE	TITLE
	CE AR1172	11FEB22	<b>PRODUCT DRAWING</b>
	RW SS1232	03/15/2022	
	AD PK1090	03/15/2022	SCALE: <b>1:5</b>
	RE AC1095	03/15/2022	
ECN 16787PC		DOCUMENT NO. <b>T4-90A-R1-V6-L</b>	

DENSITY	g/mm <sup>3</sup>		
MASS	grams		
VOLUME	mm <sup>3</sup>		
SURFACE AREA	mm <sup>2</sup>		
HEIGHT		SIZE	Auth Group BSA
LENGTH		MODEL	
WIDTH		VERSION	STATUS REVISION
		<b>A2</b>	00 RE A
		DRAWING	
		VERSION	STATUS REVISION
		00	RE A
		SHEET	
		1 OF 1	