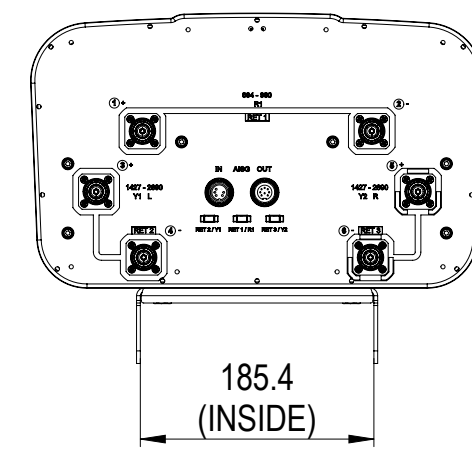
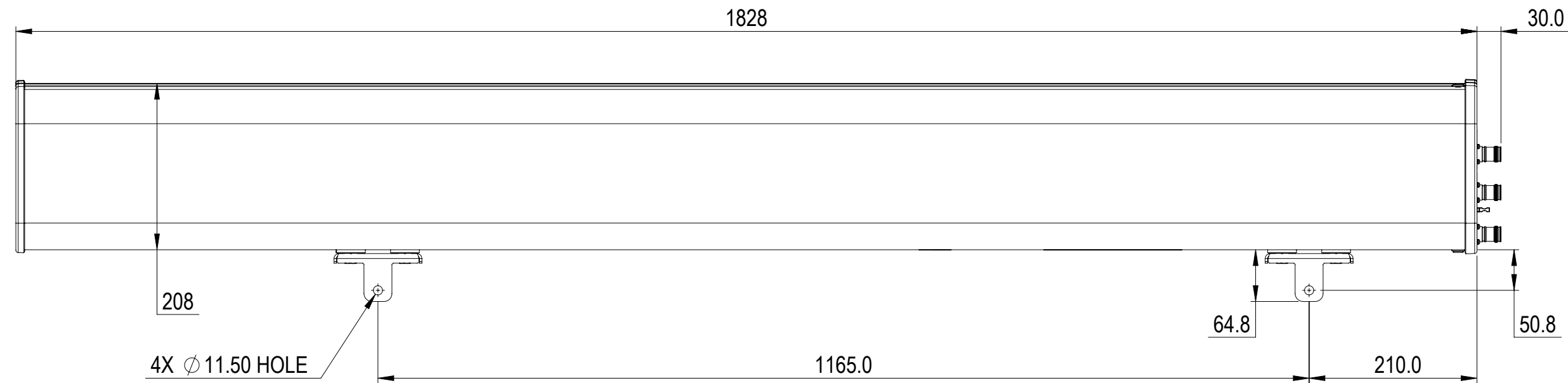


REVISIONS			
REV.	DESCRIPTION	DATE	APPROVED
A	ECR 15881PC: RELEASE TO PRODUCTION PER EAO 610441.	9FEB22 YYOU	ZCD/WC



RZZ-65B-R3

**COMMSCOPE, INC. OF NORTH CAROLINA**

TOLERANCES		SAP MATERIAL MASTER	
0 PLACE X ±	2 PLACE .XX ±		
1 PLACE .X ±	ANGLES ±		
FINISH		MATERIAL	
<small>UNLESS OTHERWISE SPECIFIED DIMENSIONS ARE IN MILLIMETERS INTERPRET PER ISO STANDARDS HANDBOOK TECHNICAL DRAWINGS VOLUMES 1 &amp; 2, THIRD EDITION (2002)</small>		NAME	DATE
		CE YYOU	9FEB22
		RW YYOU	02/08/2022
		AD CZHENG2	02/09/2022
		RE XS1022	02/09/2022
ECN 15881PC		SCALE	DOCUMENT NO.
		1:6	RZZ-65B-R3-L
SIZE	Auth Group	BSA	MODEL
A2			VERSION STATUS REVISION
			00 RE A
HEIGHT		DRAWING	
LENGTH		VERSION STATUS REVISION	
WIDTH		00 RE A	
			SHEET
			1 OF 1