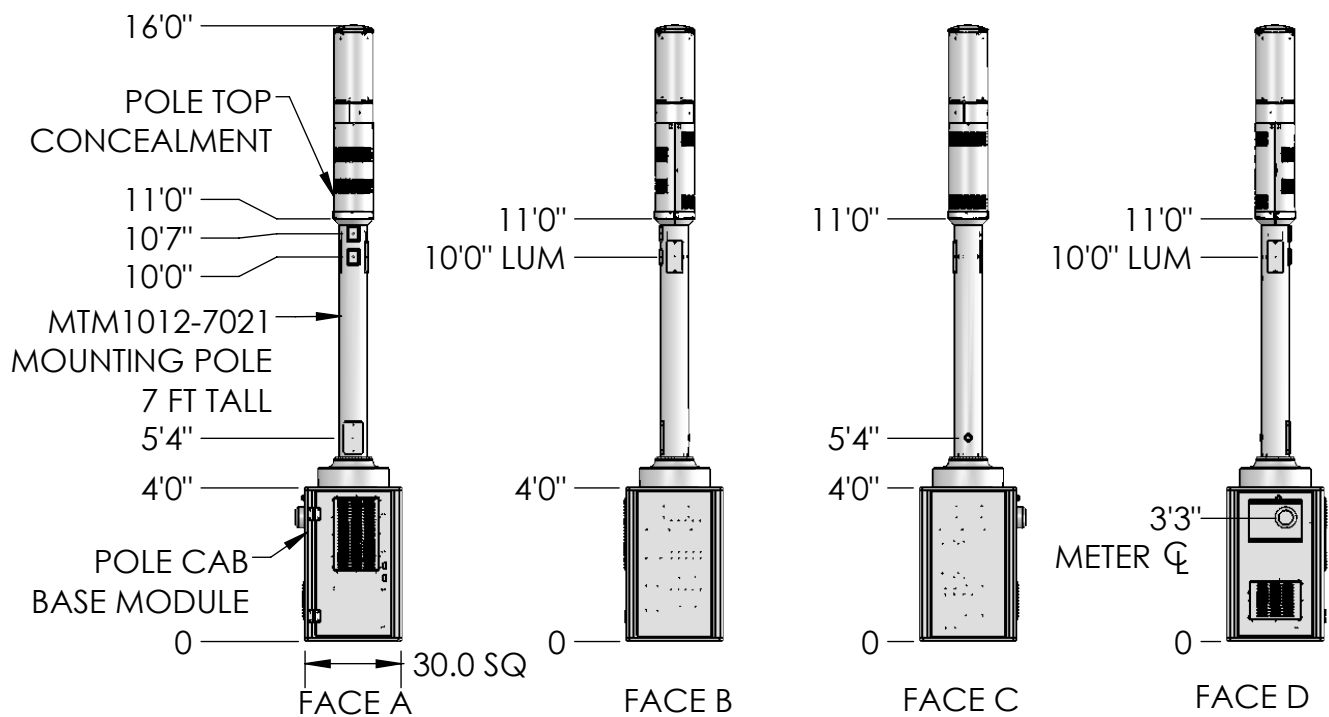


| REVISIONS |                 |     |            |
|-----------|-----------------|-----|------------|
| REV.      | DESCRIPTION     | BY  | DATE       |
| A         | INITIAL RELEASE | MJP | 11/11/2021 |



These drawings and specifications are the proprietary property of CommScope Inc. and may be used only for the specific purpose authorized in writing by CommScope Inc.

ALL DIMENSIONS ARE IN INCHES U.O.S.  
TOLERANCES UNLESS OTHERWISE SPECIFIED:

|          |      |           |       |
|----------|------|-----------|-------|
| .X = ±   | .12  | ANGLES    | ±2°   |
| .XX = ±  | .06  | FRACTIONS | ±1/32 |
| .XXX = ± | .031 |           |       |

REMOVE BURRS AND BREAK EDGES .005

DO NOT SCALE THIS PRINT

|                  |                    |
|------------------|--------------------|
| DRAWN BY:<br>MJP | SHEET:<br>1 of 1   |
| CHECKED BY:      | SCALE:             |
| DATE:            | MATERIAL:          |
| REVISION:<br>A   | FINISH:<br>WEIGHT: |

PART NUMBER:  
**760240957xx11xP**

DESCRIPTION:  
**METRO CELL, 30IN POLE CAB SOLUTION**

DRAWING TYPE:

**COMMSCOPE®**

D

D

C

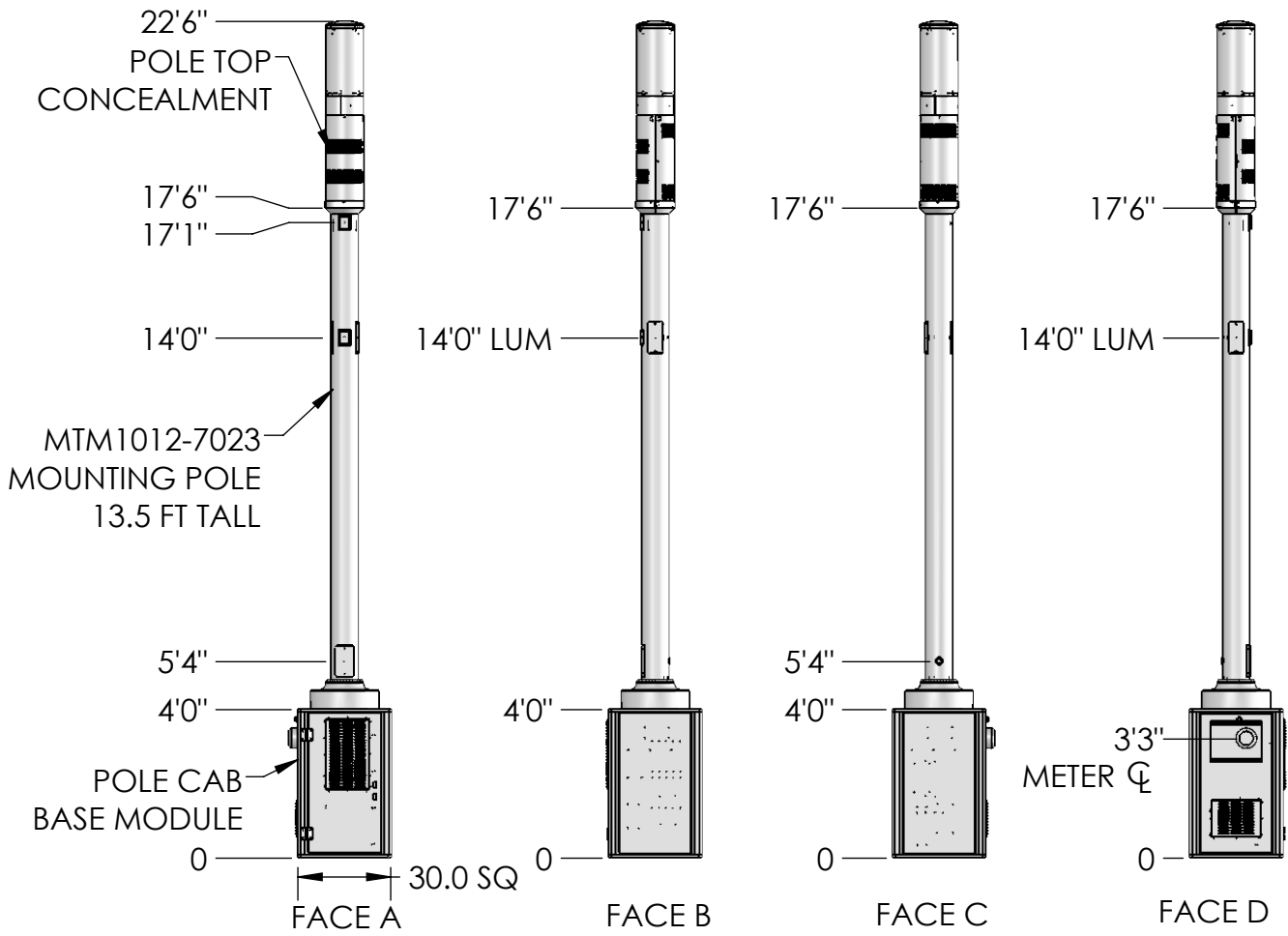
C

B

B

A

A



These drawings and specifications are the proprietary property of Commscope Inc. and may be used only for the specific purpose authorized in writing by Commscope Inc.

|                  |                    |
|------------------|--------------------|
| DRAWN BY:<br>MJP | SHEET:<br>2 of 1   |
| CHECKED BY:      | SCALE:             |
| DATE:            | MATERIAL:          |
| REVISION:<br>A   | FINISH:<br>WEIGHT: |

PART NUMBER:  
**760240957xx18xP**

DESCRIPTION:  
**METRO CELL, 30IN POLE CAB SOLUTION**

DRAWING TYPE:

ALL DIMENSIONS ARE IN INCHES U.O.S.  
TOLERANCES UNLESS OTHERWISE SPECIFIED:

|          |      |           |       |
|----------|------|-----------|-------|
| .X = ±   | .12  | ANGLES    | ±2°   |
| .XX = ±  | .06  | FRACTIONS | ±1/32 |
| .XXX = ± | .031 |           |       |

REMOVE BURRS AND BREAK EDGES .005

DO NOT SCALE THIS PRINT



4

3

2

1

D

D

C

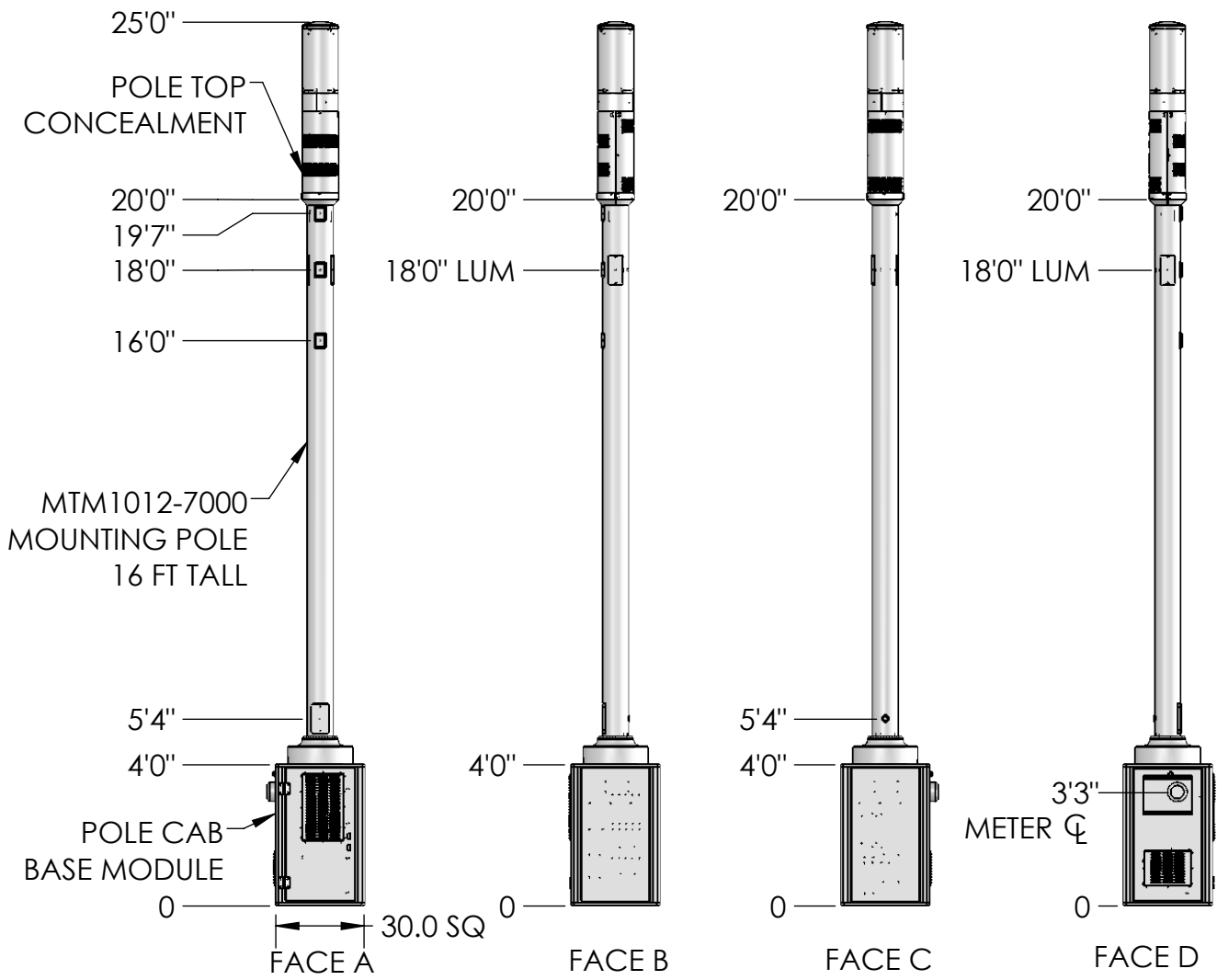
C

B

B

A

A



These drawings and specifications are the proprietary property of CommScope Inc. and may be used only for the specific purpose authorized in writing by CommScope Inc.

DRAWN BY: MJP

SHEET: 3 of 1

PART NUMBER: 760240957xx20xP

CHECKED BY:

SCALE:

DESCRIPTION: METRO CELL, 30IN POLE CAB SOLUTION

DATE:

MATERIAL:

DRAWING TYPE:

REVISION: A

FINISH:

WEIGHT:



ALL DIMENSIONS ARE IN INCHES U.O.S. TOLERANCES UNLESS OTHERWISE SPECIFIED:

|          |      |           |       |
|----------|------|-----------|-------|
| .X = ±   | .12  | ANGLES    | ±2°   |
| .XX = ±  | .06  | FRACTIONS | ±1/32 |
| .XXX = ± | .031 |           |       |

REMOVE BURRS AND BREAK EDGES .005

DO NOT SCALE THIS PRINT

4

3

2

1

4

3

2

1

D

D

C

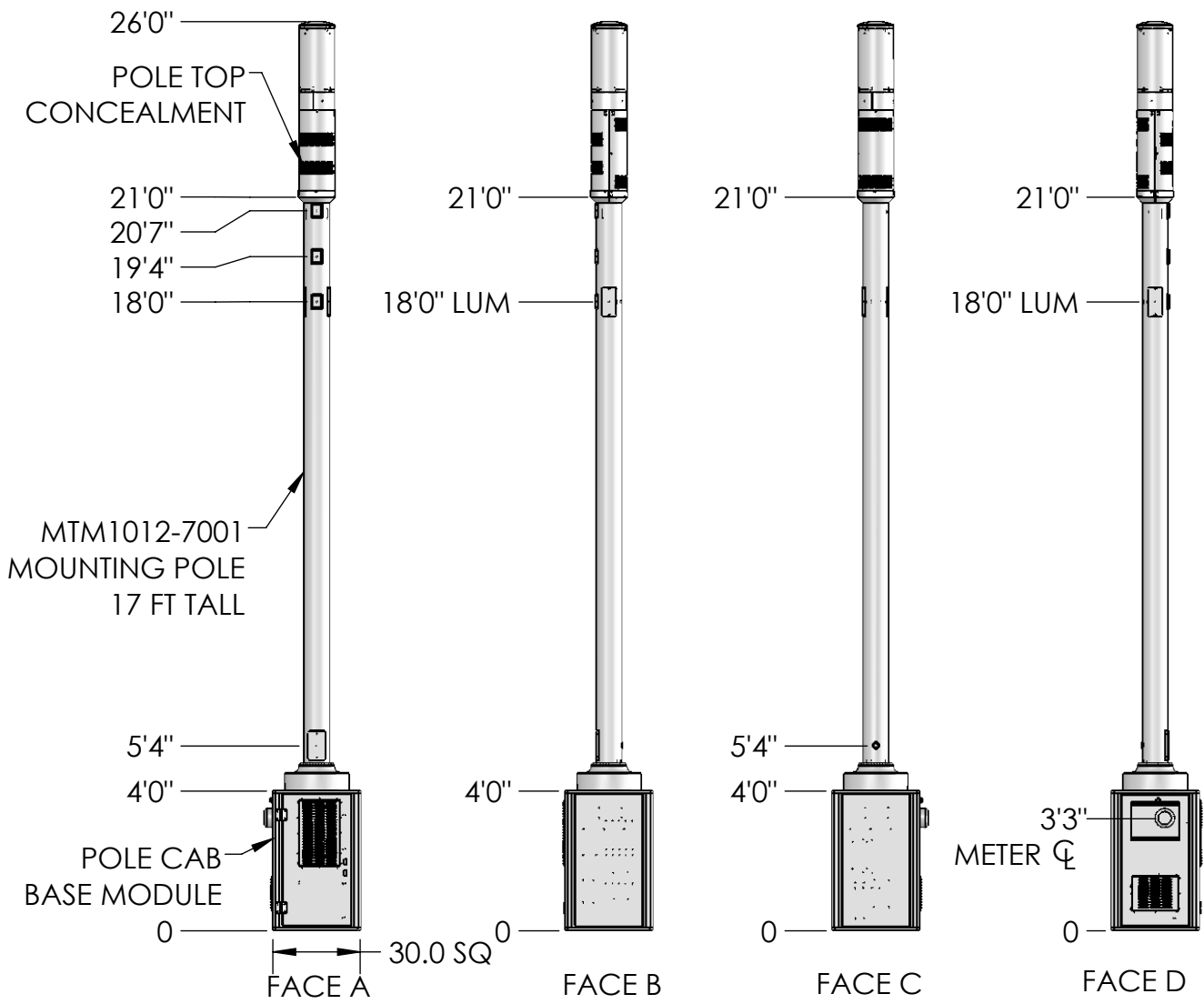
C

B

B

A

A



These drawings and specifications are the proprietary property of CommScope Inc. and may be used only for the specific purpose authorized in writing by CommScope Inc.

|                  |                  |  |
|------------------|------------------|--|
| DRAWN BY:<br>MJP | SHEET:<br>4 of 1 | PART NUMBER:<br>760240957xx21xP                    |
| CHECKED BY:      | SCALE:           | DESCRIPTION:<br>METRO CELL, 30IN POLE CAB SOLUTION |
| DATE:            | MATERIAL:        | DRAWING TYPE:                                      |
| REVISION:<br>A   | FINISH:          |  |
|                  | WEIGHT:          |  |

ALL DIMENSIONS ARE IN INCHES U.O.S.  
TOLERANCES UNLESS OTHERWISE SPECIFIED:

|          |      |           |       |
|----------|------|-----------|-------|
| .X = ±   | .12  | ANGLES    | ±2°   |
| .XX = ±  | .06  | FRACTIONS | ±1/32 |
| .XXX = ± | .031 |           |       |

REMOVE BURRS AND BREAK EDGES .005

DO NOT SCALE THIS PRINT

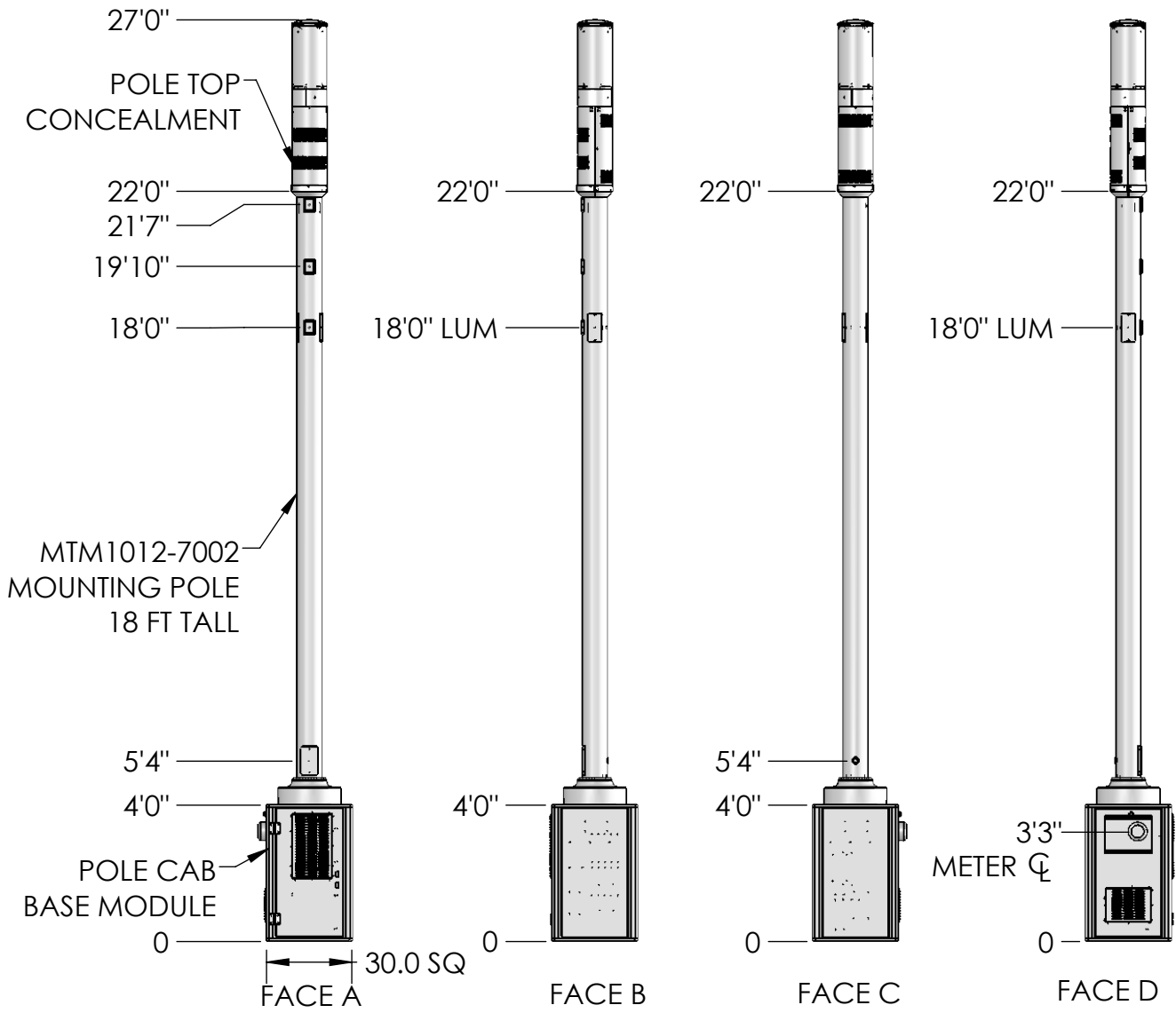


4

3

2

1



These drawings and specifications are the proprietary property of CommScope Inc. and may be used only for the specific purpose authorized in writing by CommScope Inc.

DRAWN BY: MJP

SHEET: 5 of 1

PART NUMBER: 760240957xx22xP

CHECKED BY:

SCALE:

DESCRIPTION: METRO CELL, 30IN POLE CAB SOLUTION

DATE:

MATERIAL:

DRAWING TYPE:

REVISION: A

FINISH:

WEIGHT:



ALL DIMENSIONS ARE IN INCHES U.O.S. TOLERANCES UNLESS OTHERWISE SPECIFIED:

.X = ± .12 ANGLES ±2°  
 .XX = ± .06 FRACTIONS ±1/32  
 .XXX = ± .031

REMOVE BURRS AND BREAK EDGES .005

DO NOT SCALE THIS PRINT

D

D

C

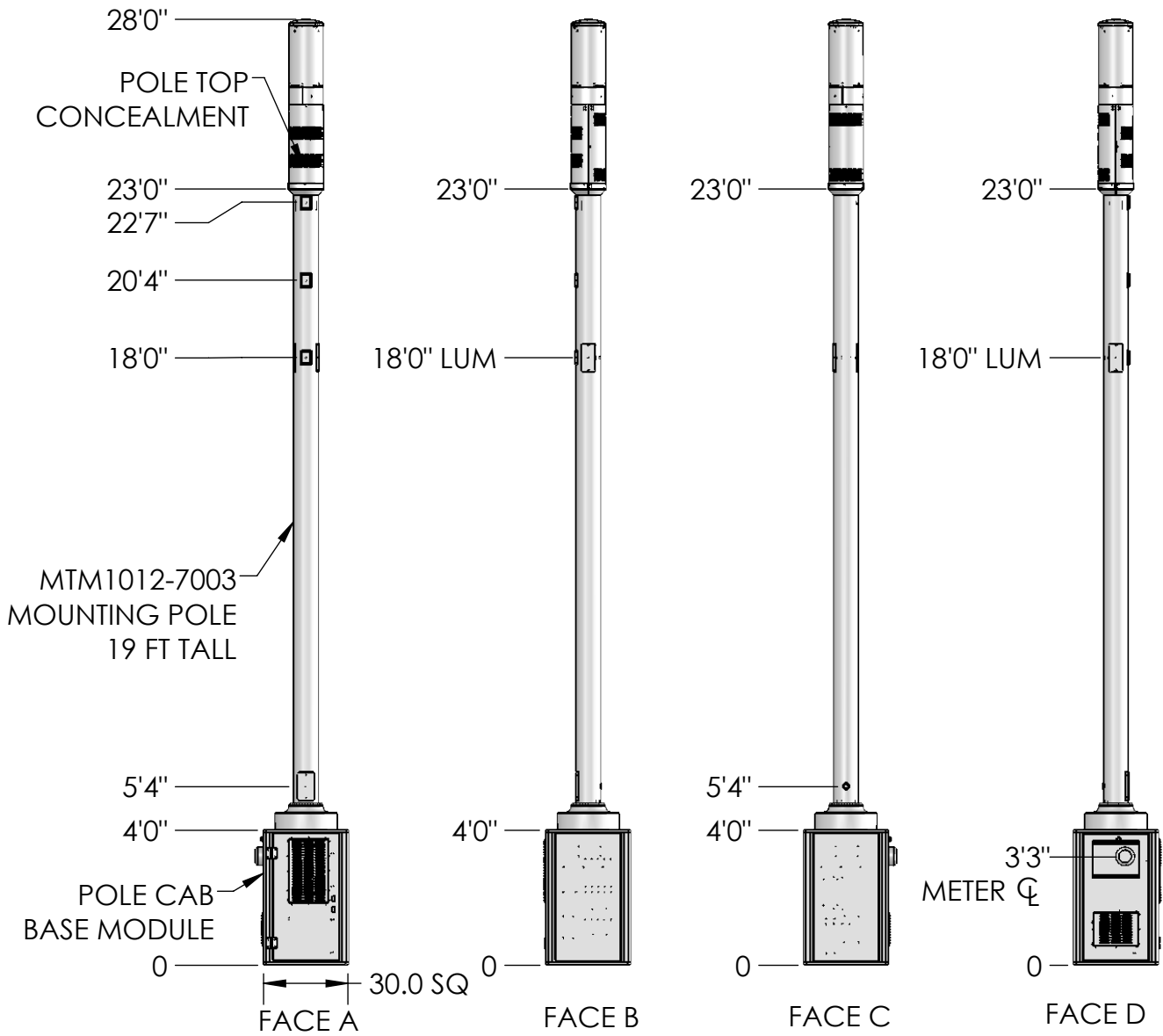
C

B

B

A

A



These drawings and specifications are the proprietary property of CommScope Inc. and may be used only for the specific purpose authorized in writing by CommScope Inc.

DRAWN BY: MJP

SHEET: 6 of 1

PART NUMBER: 760240957xx23xP

CHECKED BY:

SCALE:

DESCRIPTION: METRO CELL, 30IN POLE CAB SOLUTION

DATE:

MATERIAL:

DRAWING TYPE:

REVISION: A

FINISH:



WEIGHT:

ALL DIMENSIONS ARE IN INCHES U.O.S. TOLERANCES UNLESS OTHERWISE SPECIFIED:

.X = ± .12 ANGLES ±2°  
 .XX = ± .06 FRACTIONS ±1/32  
 .XXX = ± .031

REMOVE BURRS AND BREAK EDGES .005

DO NOT SCALE THIS PRINT

4

3

2

1

D

D

C

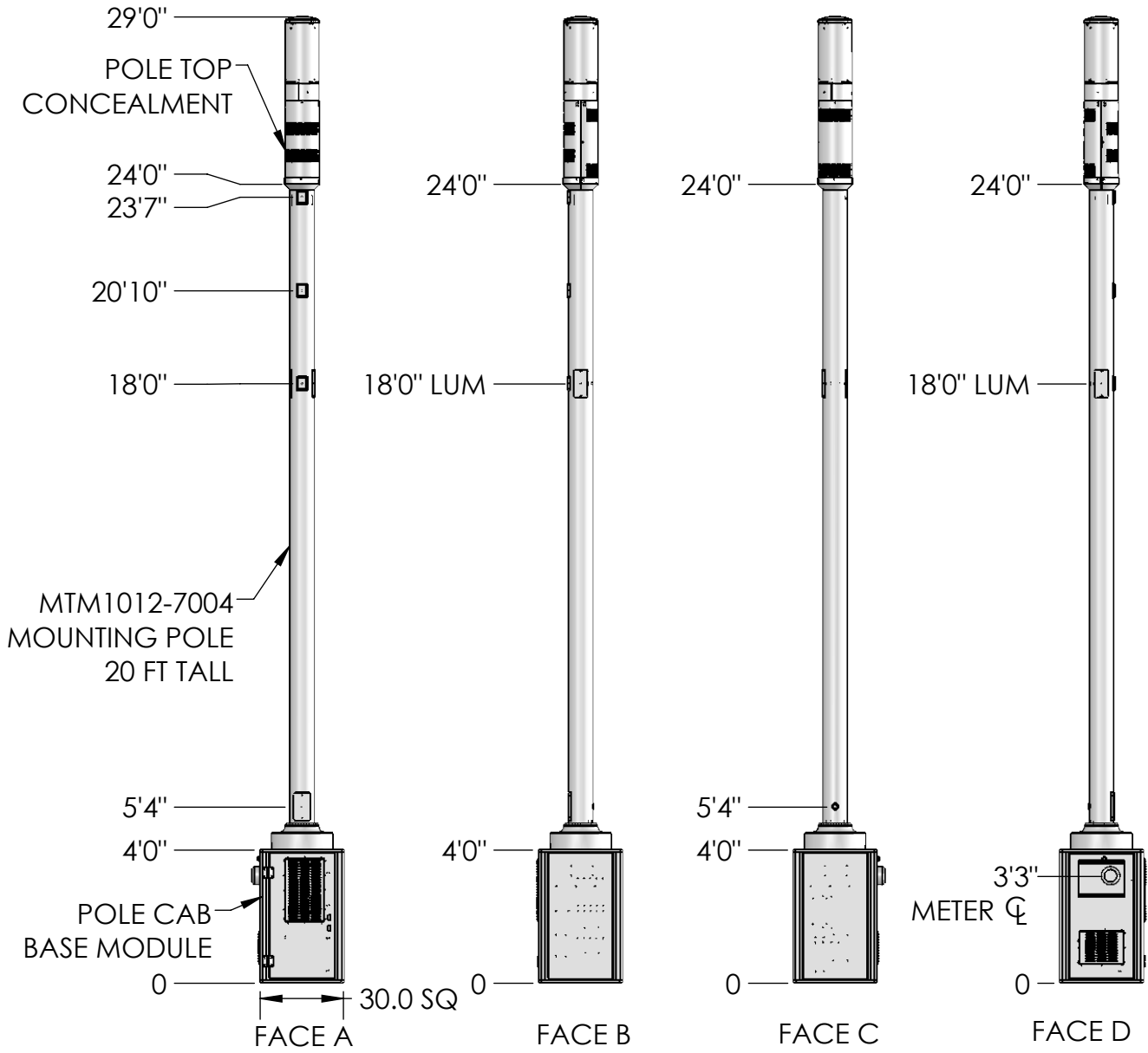
C

B

B

A

A



These drawings and specifications are the proprietary property of Commscope Inc. and may be used only for the specific purpose authorized in writing by Commscope Inc.

DRAWN BY: MJP

SHEET: 7 of 1

PART NUMBER: 760240957xx24xP

CHECKED BY:

SCALE:

DESCRIPTION: METRO CELL, 30IN POLE CAB SOLUTION

DATE:

MATERIAL:

DRAWING TYPE:

REVISION: A

FINISH:

WEIGHT:

COMMSCOPE®

ALL DIMENSIONS ARE IN INCHES U.O.S. TOLERANCES UNLESS OTHERWISE SPECIFIED:

.X = ± .12 ANGLES ±2°  
 .XX = ± .06 FRACTIONS ±1/32  
 .XXX = ± .031

REMOVE BURRS AND BREAK EDGES .005

DO NOT SCALE THIS PRINT

4

3

2

1

4

3

2

1

D

D

C

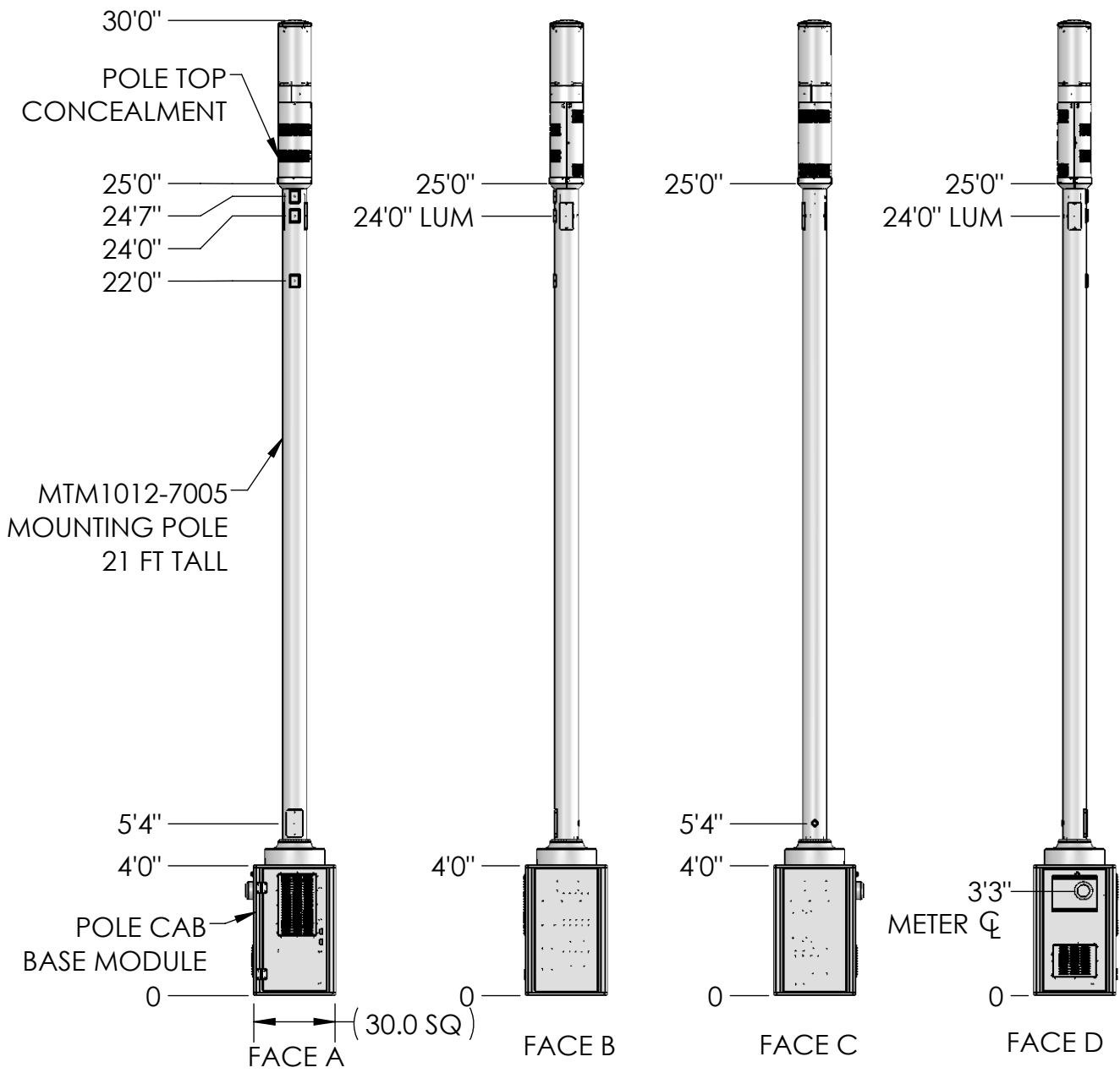
C

B

B

A

A



These drawings and specifications are the proprietary property of CommScope Inc. and may be used only for the specific purpose authorized in writing by CommScope Inc.

DRAWN BY: MJP

SHEET: 8 of 1

PART NUMBER: 760240957xx25xP

CHECKED BY:

SCALE:

DESCRIPTION: METRO CELL, 30IN POLE CAB SOLUTION

DATE:

MATERIAL:

DRAWING TYPE:

REVISION: A

FINISH:

**COMMSCOPE®**

WEIGHT:

ALL DIMENSIONS ARE IN INCHES U.O.S. TOLERANCES UNLESS OTHERWISE SPECIFIED:

|          |      |           |       |
|----------|------|-----------|-------|
| .X = ±   | .12  | ANGLES    | ±2°   |
| .XX = ±  | .06  | FRACTIONS | ±1/32 |
| .XXX = ± | .031 |           |       |

REMOVE BURRS AND BREAK EDGES .005

DO NOT SCALE THIS PRINT

4

3

2

1



4

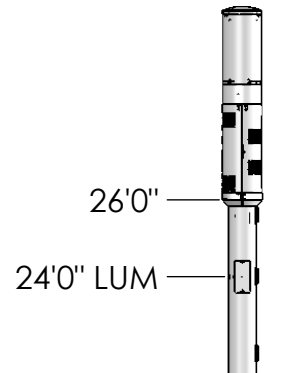
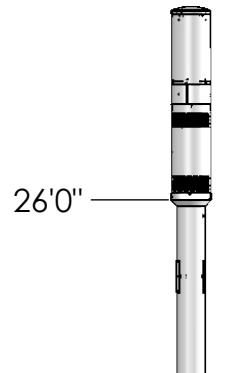
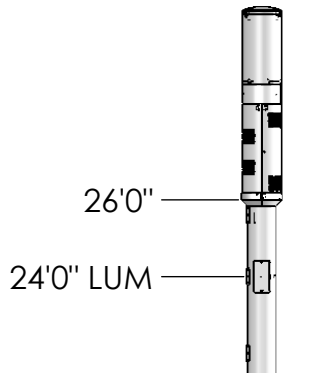
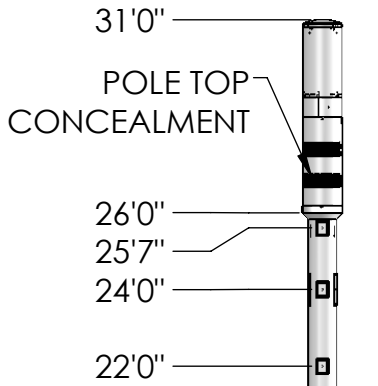
3

2

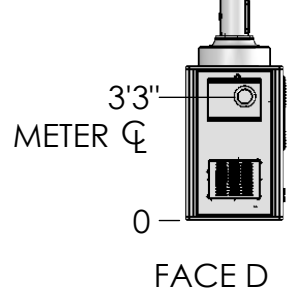
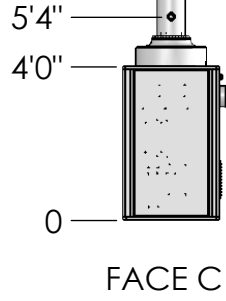
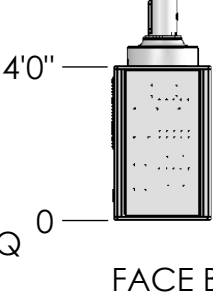
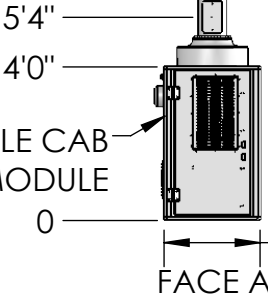
1

D

D



MTM1012-7006  
MOUNTING POLE  
22 FT TALL



C

C

B

B

A

A

These drawings and specifications are the proprietary property of CommScope Inc. and may be used only for the specific purpose authorized in writing by CommScope Inc.

DRAWN BY: MJP

SHEET: 9 of 1

PART NUMBER: 760240957xx26xP

CHECKED BY:

SCALE:

DESCRIPTION: METRO CELL, 30IN POLE CAB SOLUTION

DATE:

MATERIAL:

DRAWING TYPE:

REVISION: A

FINISH:

WEIGHT:

COMMSCOPE®

ALL DIMENSIONS ARE IN INCHES U.O.S. TOLERANCES UNLESS OTHERWISE SPECIFIED:

.X = ± .12 ANGLES ±2°  
.XX = ± .06 FRACTIONS ±1/32  
.XXX = ± .031

REMOVE BURRS AND BREAK EDGES .005

DO NOT SCALE THIS PRINT

4

3

2

1

4

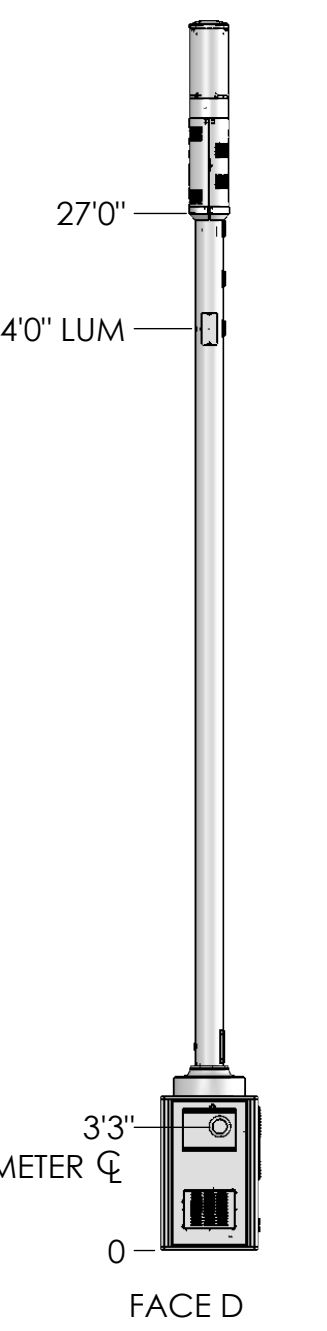
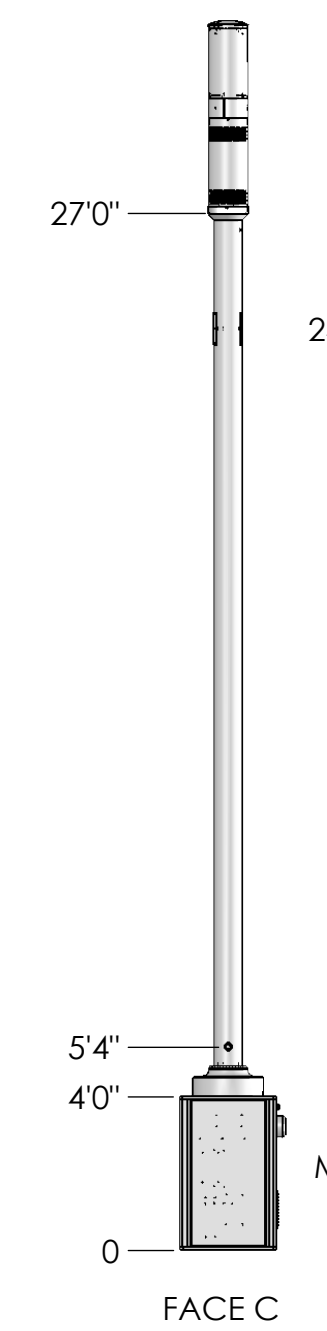
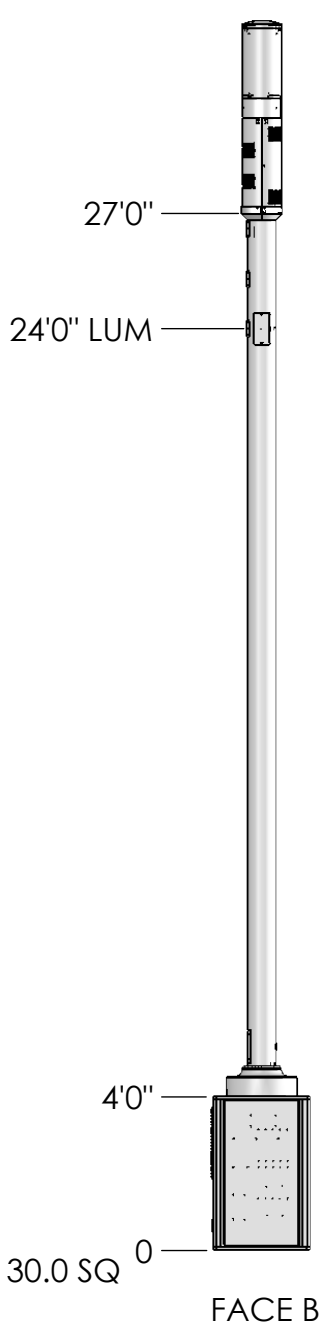
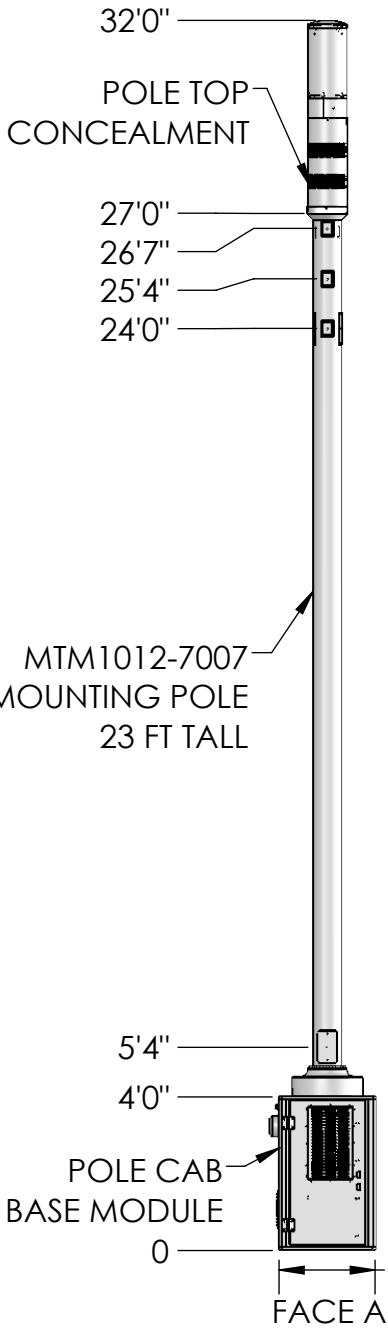
3

2

1

D

D



C

C

B

B

A

A

These drawings and specifications are the proprietary property of CommScope Inc. and may be used only for the specific purpose authorized in writing by CommScope Inc.

|                  |                   |  |
|------------------|-------------------|--|
| DRAWN BY:<br>MJP | SHEET:<br>10 of 1 | PART NUMBER:<br>760240957xx27xP                    |
| CHECKED BY:      | SCALE:            | DESCRIPTION:<br>METRO CELL, 30IN POLE CAB SOLUTION |
| DATE:            | MATERIAL:         | DRAWING TYPE:                                      |
| REVISION:<br>A   | FINISH:           |  |
|                  | WEIGHT:           |  |

ALL DIMENSIONS ARE IN INCHES U.O.S.  
TOLERANCES UNLESS OTHERWISE SPECIFIED:

|          |      |           |       |
|----------|------|-----------|-------|
| .X = ±   | .12  | ANGLES    | ±2°   |
| .XX = ±  | .06  | FRACTIONS | ±1/32 |
| .XXX = ± | .031 |           |       |

REMOVE BURRS AND BREAK EDGES .005

DO NOT SCALE THIS PRINT

4

3

2

1

4

3

2

1

D

D

C

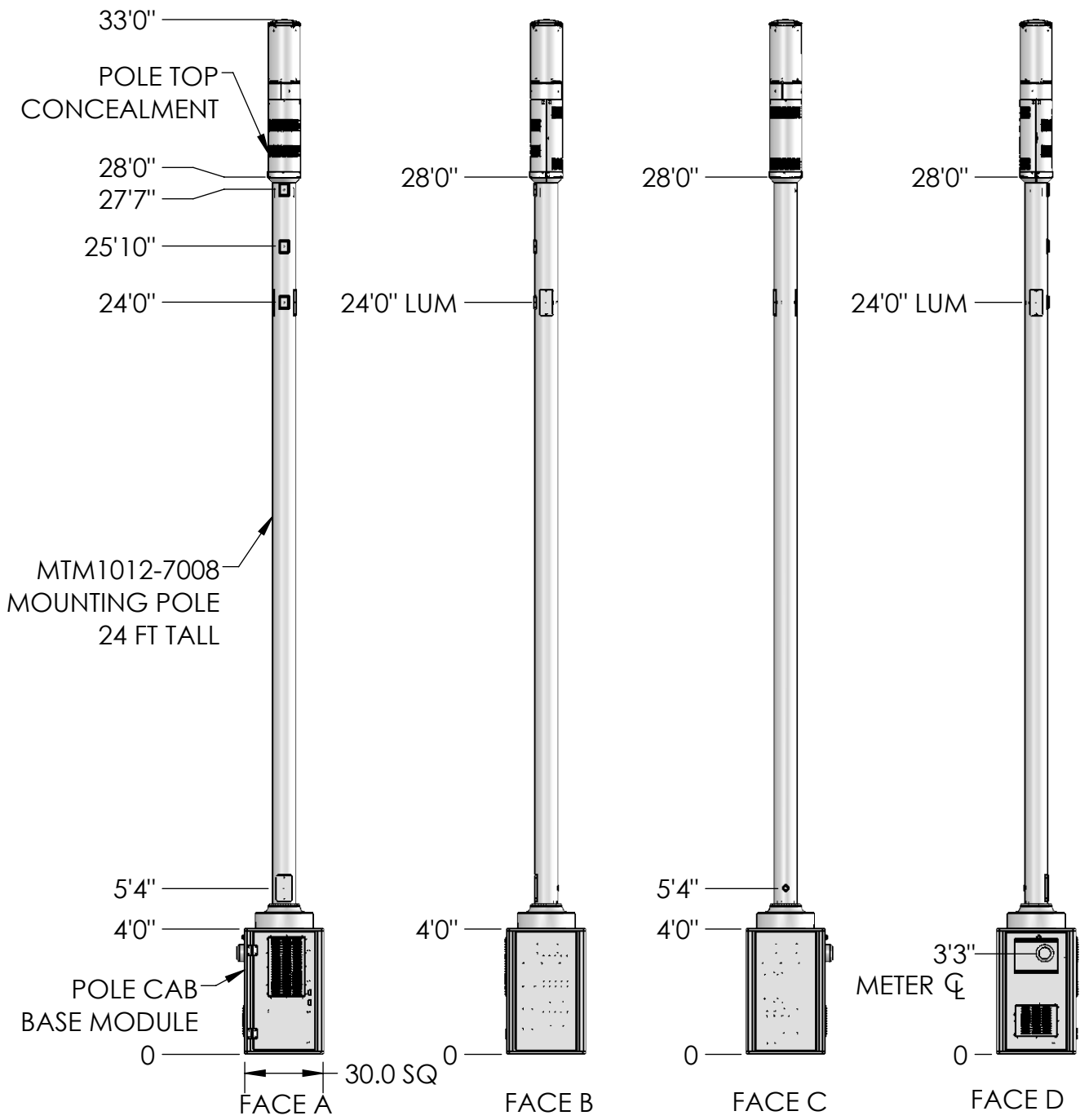
C

B

B

A

A



These drawings and specifications are the proprietary property of CommScope Inc. and may be used only for the specific purpose authorized in writing by CommScope Inc.

DRAWN BY: MJP

SHEET: 11 of 1

PART NUMBER: 760240957xx28xP

CHECKED BY:

SCALE:

DESCRIPTION: METRO CELL, 30IN POLE CAB SOLUTION

DATE:

MATERIAL:

DRAWING TYPE:

REVISION: A

FINISH:

**COMMSCOPE®**

WEIGHT:

ALL DIMENSIONS ARE IN INCHES U.O.S. TOLERANCES UNLESS OTHERWISE SPECIFIED:

.X = ± .12 ANGLES ±2°  
 .XX = ± .06 FRACTIONS ±1/32  
 .XXX = ± .031

REMOVE BURRS AND BREAK EDGES .005

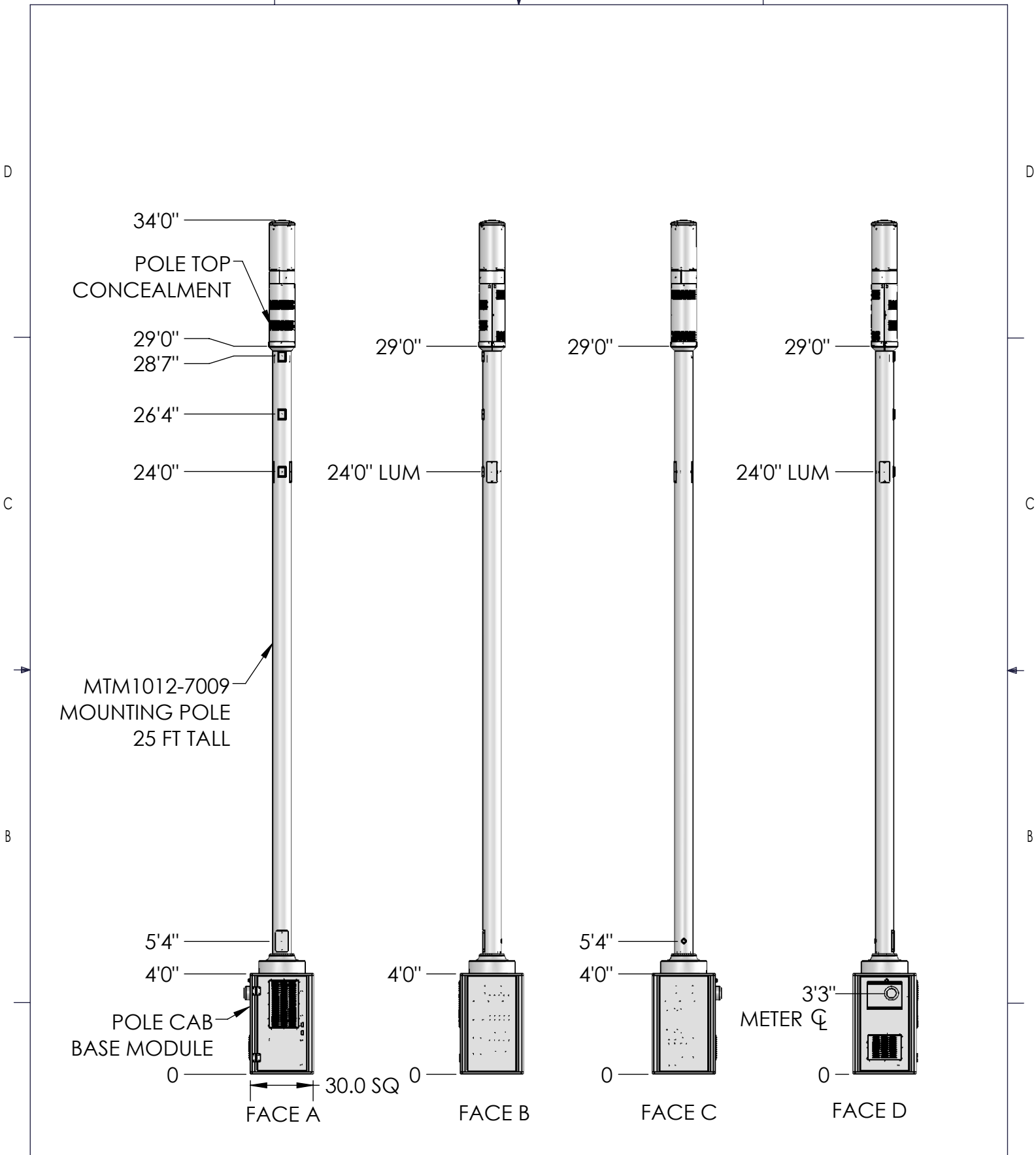
DO NOT SCALE THIS PRINT

4

3

2

1



These drawings and specifications are the proprietary property of CommScope Inc. and may be used only for the specific purpose authorized in writing by CommScope Inc.

ALL DIMENSIONS ARE IN INCHES U.O.S. TOLERANCES UNLESS OTHERWISE SPECIFIED:

|          |      |           |       |
|----------|------|-----------|-------|
| .X = ±   | .12  | ANGLES    | ±2°   |
| .XX = ±  | .06  | FRACTIONS | ±1/32 |
| .XXX = ± | .031 |           |       |

REMOVE BURRS AND BREAK EDGES .005

DO NOT SCALE THIS PRINT

|                  |                   |  |
|------------------|-------------------|--|
| DRAWN BY:<br>MJP | SHEET:<br>12 of 1 | PART NUMBER:<br>760240957xx29xP                    |
| CHECKED BY:      | SCALE:            | DESCRIPTION:<br>METRO CELL, 30IN POLE CAB SOLUTION |
| DATE:            | MATERIAL:         | DRAWING TYPE:                                      |
| REVISION:<br>A   | FINISH:           | <b>COMMSCOPE®</b>                                  |
|                  | WEIGHT:           |  |

4

3

2

1

D

D

C

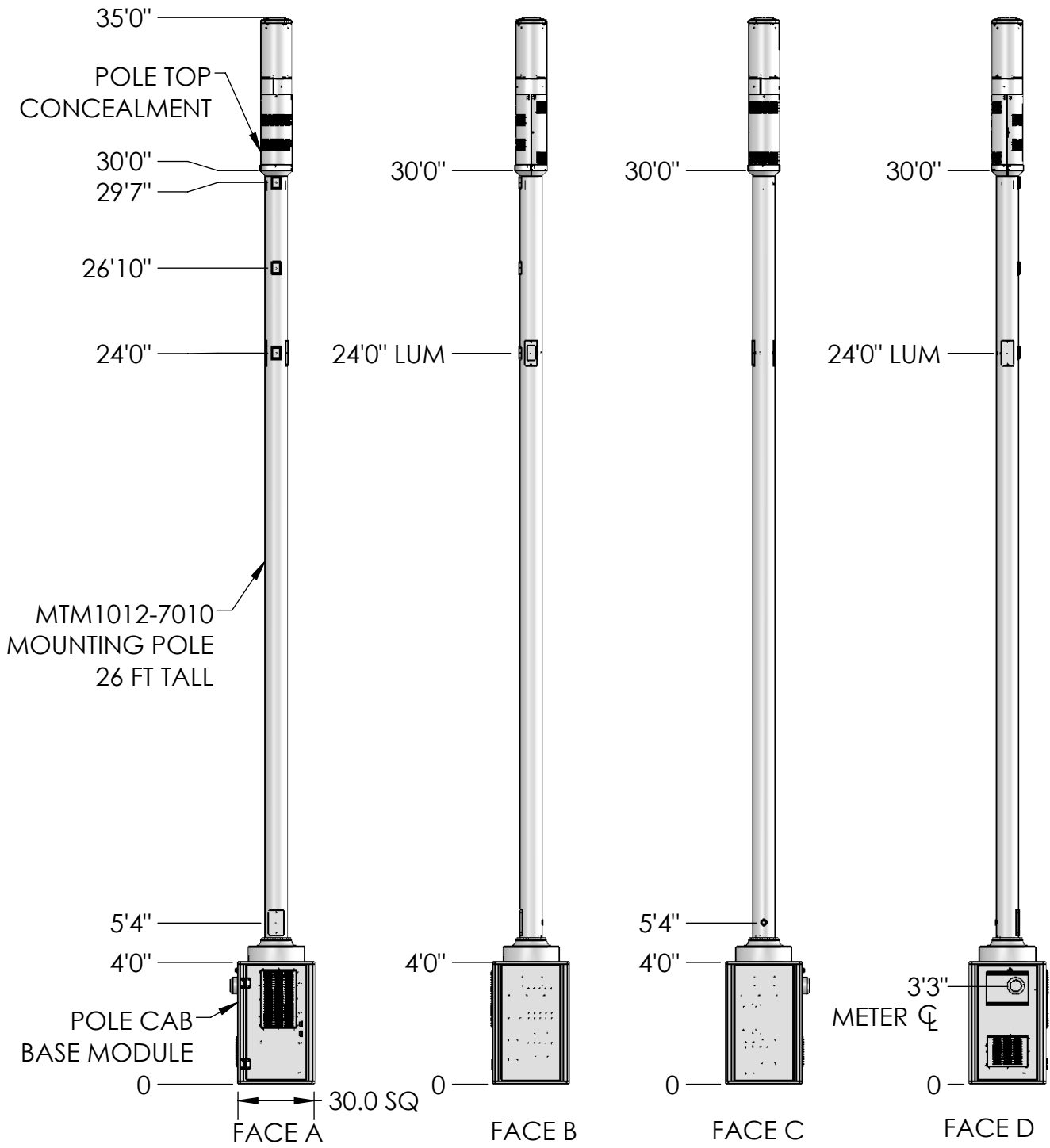
C

B

B

A

A



These drawings and specifications are the proprietary property of CommScope Inc. and may be used only for the specific purpose authorized in writing by CommScope Inc.

|                  |                   |  |
|------------------|-------------------|--|
| DRAWN BY:<br>MJP | SHEET:<br>13 of 1 | PART NUMBER:<br>760240957xx30xP                    |
| CHECKED BY:      | SCALE:            | DESCRIPTION:<br>METRO CELL, 30IN POLE CAB SOLUTION |
| DATE:            | MATERIAL:         | DRAWING TYPE:                                      |
| REVISION:<br>A   | FINISH:           |  |
|                  | WEIGHT:           |  |

ALL DIMENSIONS ARE IN INCHES U.O.S.  
TOLERANCES UNLESS OTHERWISE SPECIFIED:

|          |      |           |       |
|----------|------|-----------|-------|
| .X = ±   | .12  | ANGLES    | ±2°   |
| .XX = ±  | .06  | FRACTIONS | ±1/32 |
| .XXX = ± | .031 |           |       |

REMOVE BURRS AND BREAK EDGES .005

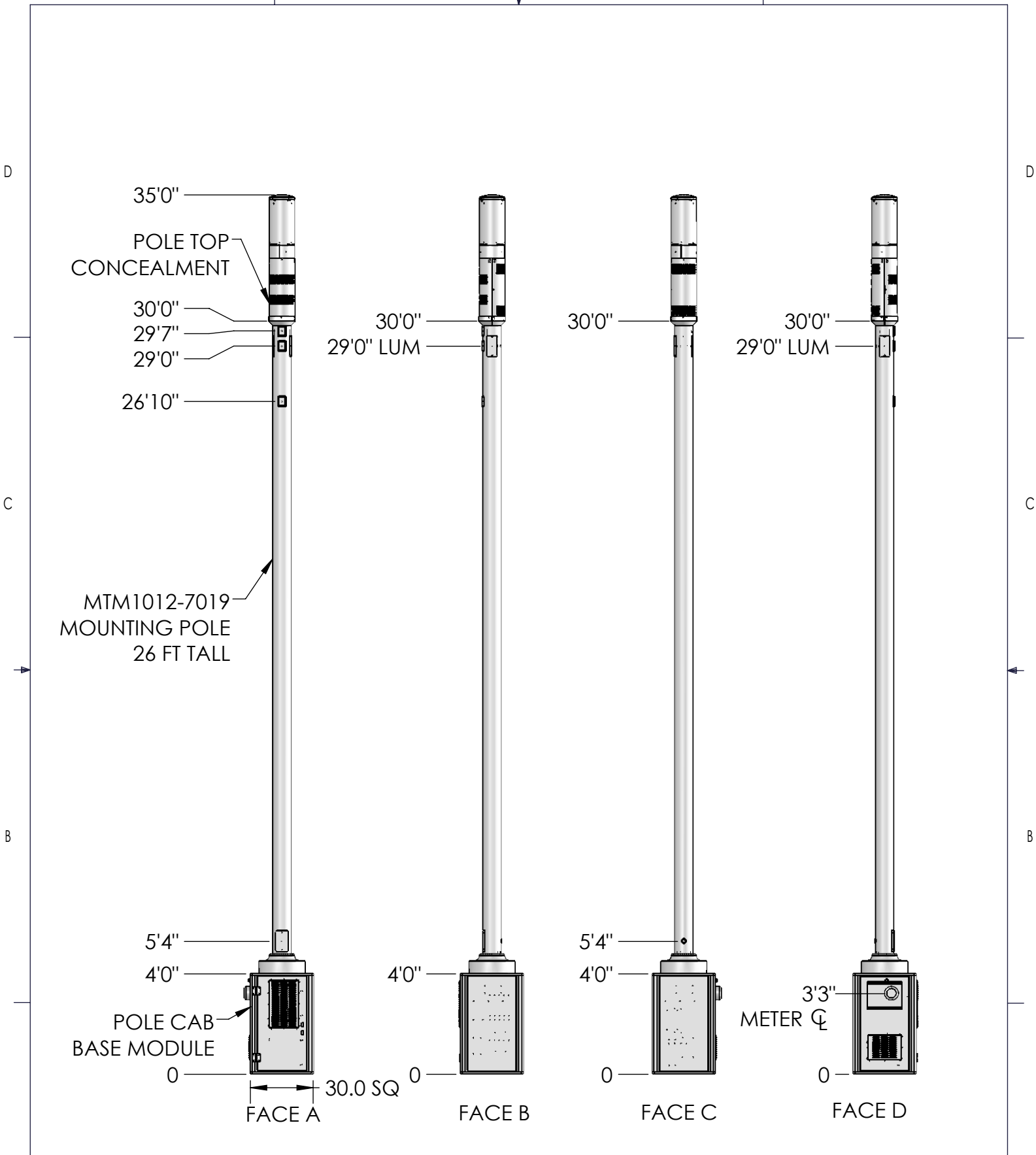
DO NOT SCALE THIS PRINT

4

3

2

1



35'0"  
 POLE TOP  
 CONCEALMENT  
 30'0"  
 29'7"  
 29'0"  
 26'10"

30'0"  
 29'0" LUM

30'0"

30'0"  
 29'0" LUM

MTM1012-7019  
 MOUNTING POLE  
 26 FT TALL

5'4"  
 4'0"  
 POLE CAB  
 BASE MODULE

4'0"

5'4"  
 4'0"

3'3"  
 METER  $\varnothing$

0  
 30.0 SQ  
 FACE A

0  
 FACE B

0  
 FACE C

0  
 FACE D

These drawings and specifications are the proprietary property of CommScope Inc. and may be used only for the specific purpose authorized in writing by CommScope Inc.

DRAWN BY:  
 MJP

SHEET:  
 14 of 1

PART NUMBER:  
 760240957xx30xP-2

CHECKED BY:

SCALE:

DESCRIPTION:  
 METRO CELL, 30IN POLE CAB SOLUTION

DATE:

MATERIAL:

DRAWING TYPE:

ALL DIMENSIONS ARE IN INCHES U.O.S.  
 TOLERANCES UNLESS OTHERWISE SPECIFIED:  
 .X = ± .12 ANGLES ±2°  
 .XX = ± .06 FRACTIONS ±1/32  
 .XXX = ± .031

REVISION:  
 A

FINISH:

WEIGHT:

COMMSCOPE®

REMOVE BURRS AND BREAK EDGES .005

DO NOT SCALE THIS PRINT

4

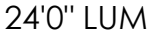
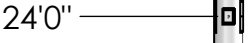
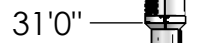
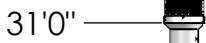
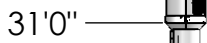
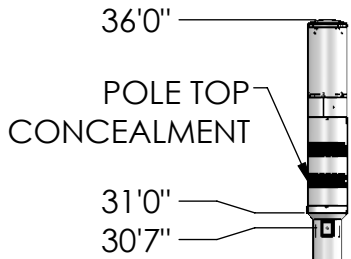
3

2

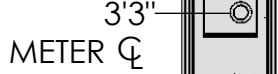
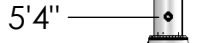
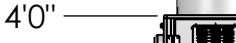
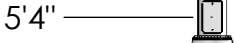
1

D

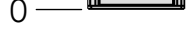
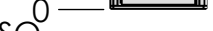
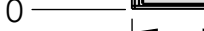
D



MTM1012-7011  
MOUNTING POLE  
27 FT TALL



POLE CAB  
BASE MODULE



FACE A

FACE B

FACE C

FACE D

30.0 SQ

C

C

B

B

A

A

These drawings and specifications are the proprietary property of CommScope Inc. and may be used only for the specific purpose authorized in writing by CommScope Inc.

DRAWN BY: MJP

SHEET: 15 of 1

PART NUMBER: 760240957xx31xP

CHECKED BY:

SCALE:

DESCRIPTION: METRO CELL, 30IN POLE CAB SOLUTION

DATE:

MATERIAL:

DRAWING TYPE:

REVISION: A

FINISH:

WEIGHT:

COMMSCOPE®

ALL DIMENSIONS ARE IN INCHES U.O.S.  
TOLERANCES UNLESS OTHERWISE SPECIFIED:

.X = ± .12 ANGLES ±2°  
.XX = ± .06 FRACTIONS ±1/32  
.XXX = ± .031

REMOVE BURRS AND BREAK EDGES .005

DO NOT SCALE THIS PRINT

4

3

2

1

4

3

2

1

D

D

C

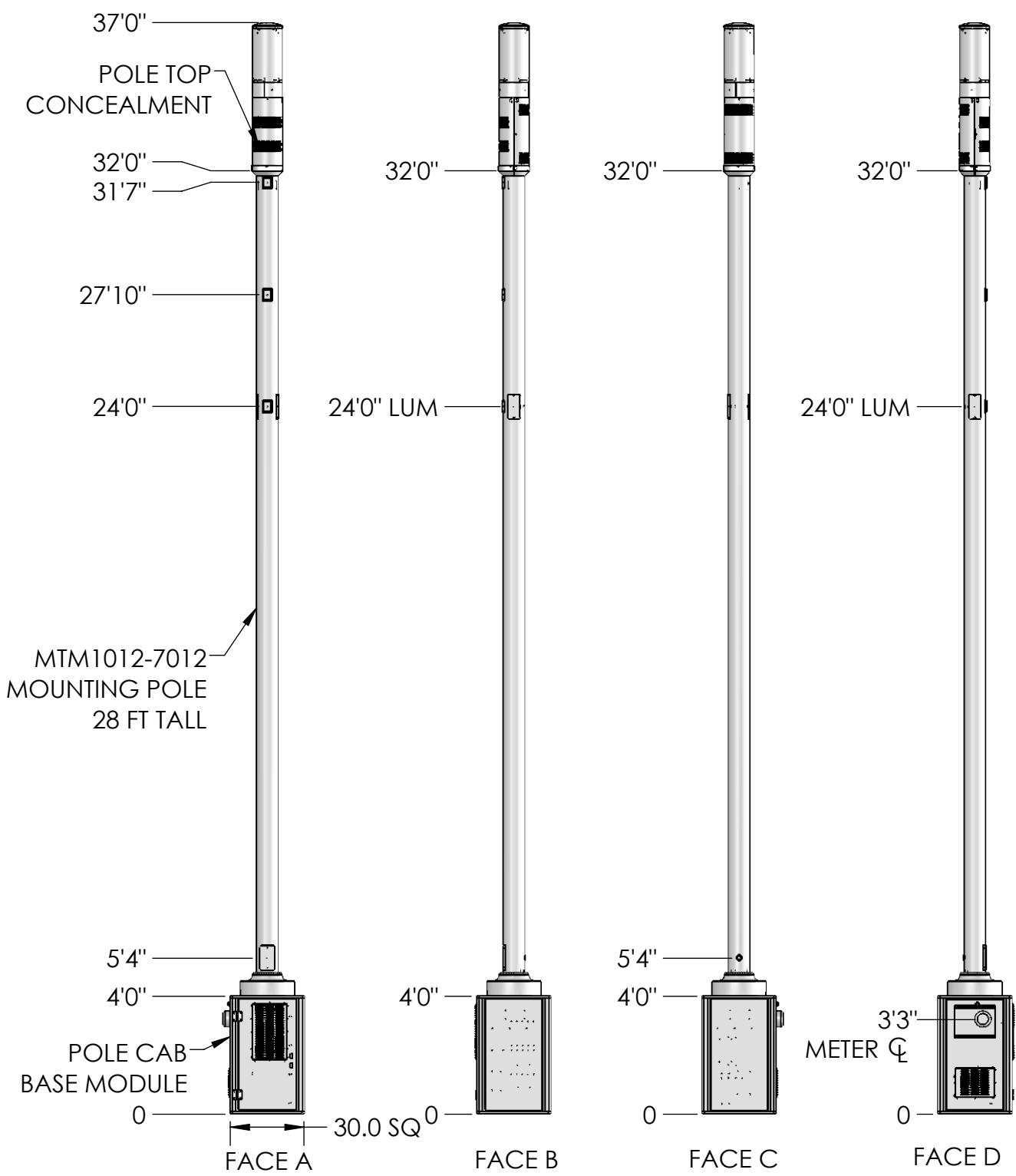
C

B

B

A

A



These drawings and specifications are the proprietary property of CommScope Inc. and may be used only for the specific purpose authorized in writing by CommScope Inc.

DRAWN BY: MJP

SHEET: 16 of 1

PART NUMBER: 760240957xx32xP

CHECKED BY:

SCALE:

DESCRIPTION: METRO CELL, 30IN POLE CAB SOLUTION

DATE:

MATERIAL:

DRAWING TYPE:

REVISION: A

FINISH:

**COMMSCOPE®**

WEIGHT:

ALL DIMENSIONS ARE IN INCHES U.O.S. TOLERANCES UNLESS OTHERWISE SPECIFIED:

.X = ± .12 ANGLES ±2°  
 .XX = ± .06 FRACTIONS ±1/32  
 .XXX = ± .031

REMOVE BURRS AND BREAK EDGES .005

DO NOT SCALE THIS PRINT

4

3

2

1



4

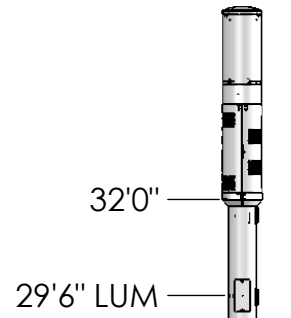
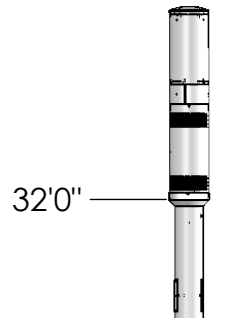
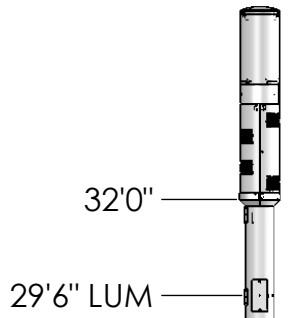
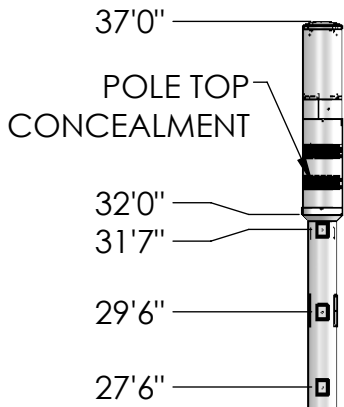
3

2

1

D

D



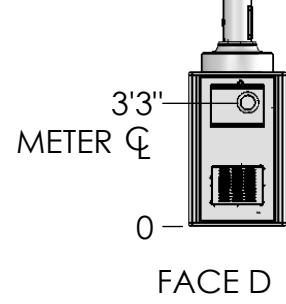
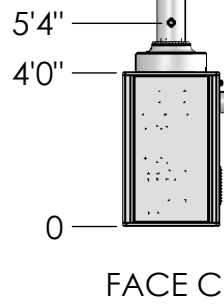
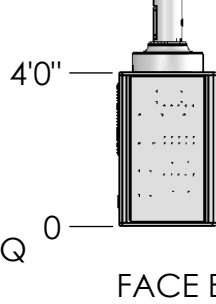
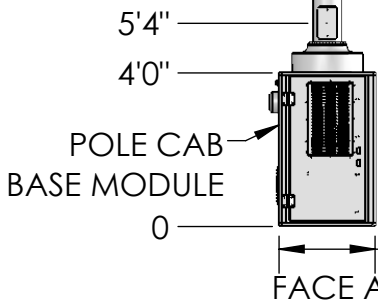
MTM1012-7013  
MOUNTING POLE  
28 FT TALL

C

C

B

B



A

A

These drawings and specifications are the proprietary property of CommScope Inc. and may be used only for the specific purpose authorized in writing by CommScope Inc.

DRAWN BY:  
MJP

SHEET:  
17 of 1

PART NUMBER:  
760240957xx32xP-2

CHECKED BY:

SCALE:

DESCRIPTION:  
METRO CELL, 30IN POLE CAB SOLUTION

DATE:

MATERIAL:

DRAWING TYPE:

REVISION:  
A

FINISH:

WEIGHT:

COMMSCOPE®

ALL DIMENSIONS ARE IN INCHES U.O.S.  
TOLERANCES UNLESS OTHERWISE SPECIFIED:

.X = ± .12 ANGLES ±2°  
.XX = ± .06 FRACTIONS ±1/32  
.XXX = ± .031

REMOVE BURRS AND BREAK EDGES .005

DO NOT SCALE THIS PRINT

4

3

2

1

4

3

2

1

D

D

C

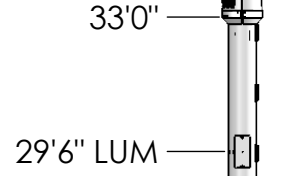
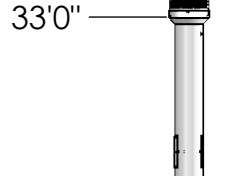
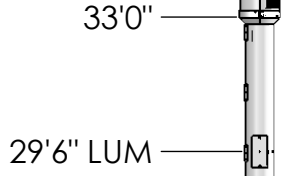
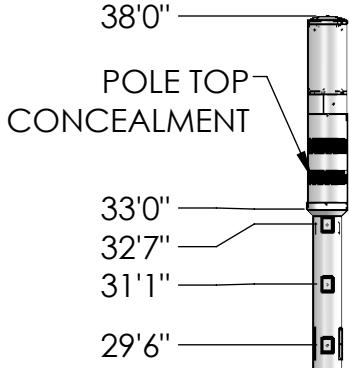
C

B

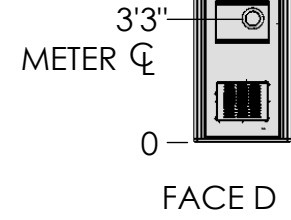
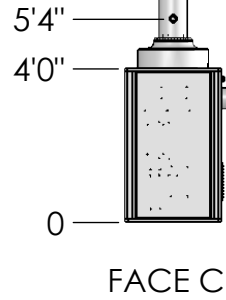
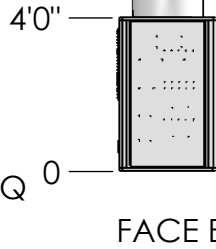
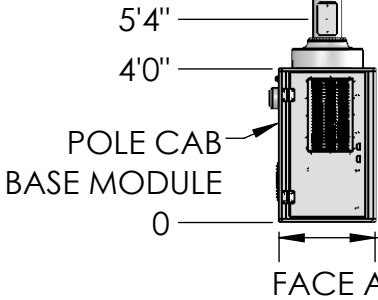
B

A

A



MTM1012-7014  
MOUNTING POLE  
29 FT TALL



These drawings and specifications are the proprietary property of CommScope Inc. and may be used only for the specific purpose authorized in writing by CommScope Inc.

DRAWN BY: MJP

SHEET: 18 of 1

PART NUMBER: 760240957xx33xP

CHECKED BY:

SCALE:

DESCRIPTION: METRO CELL, 40IN POLE CAB SOLUTION

DATE:

MATERIAL:

DRAWING TYPE:

REVISION: A

FINISH:

COMMSCOPE®

WEIGHT:

ALL DIMENSIONS ARE IN INCHES U.O.S.  
TOLERANCES UNLESS OTHERWISE SPECIFIED:  
.X = ± .12 ANGLES ±2°  
.XX = ± .06 FRACTIONS ±1/32  
.XXX = ± .031

REMOVE BURRS AND BREAK EDGES .005

DO NOT SCALE THIS PRINT

4

3

2

1

D

D

C

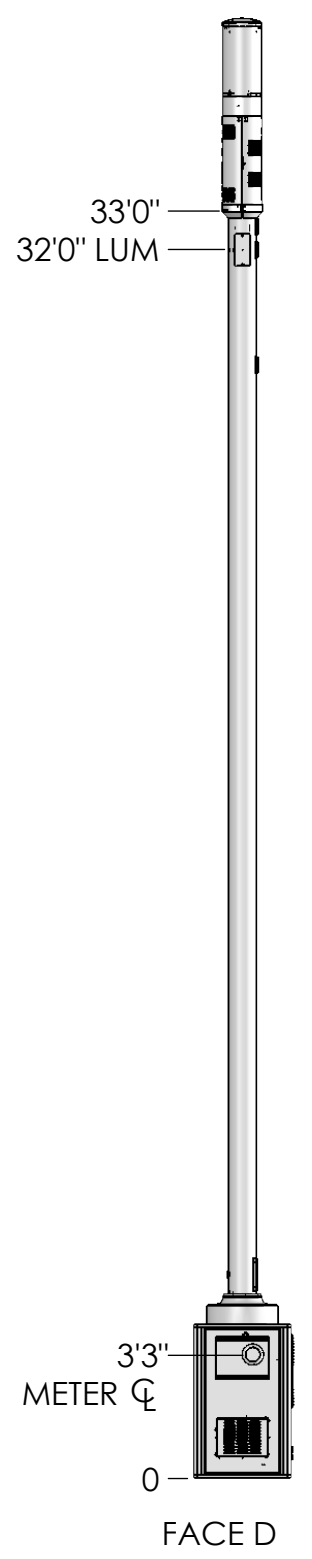
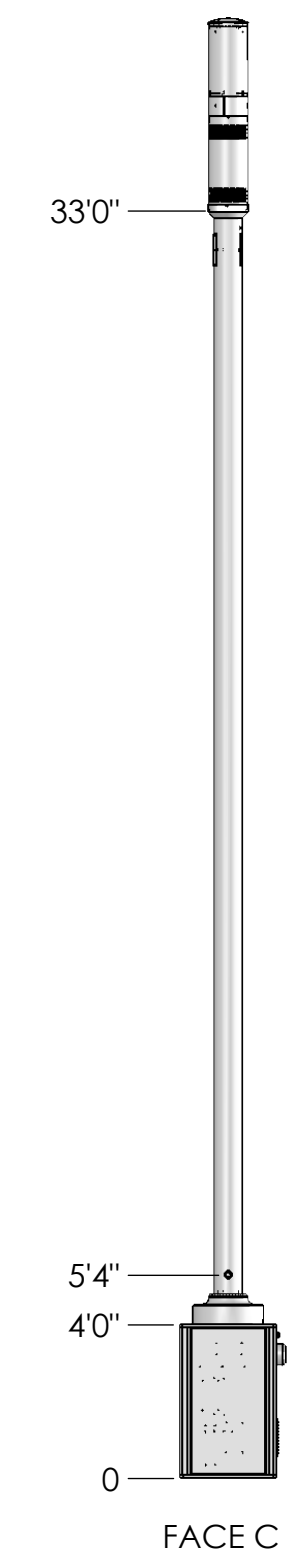
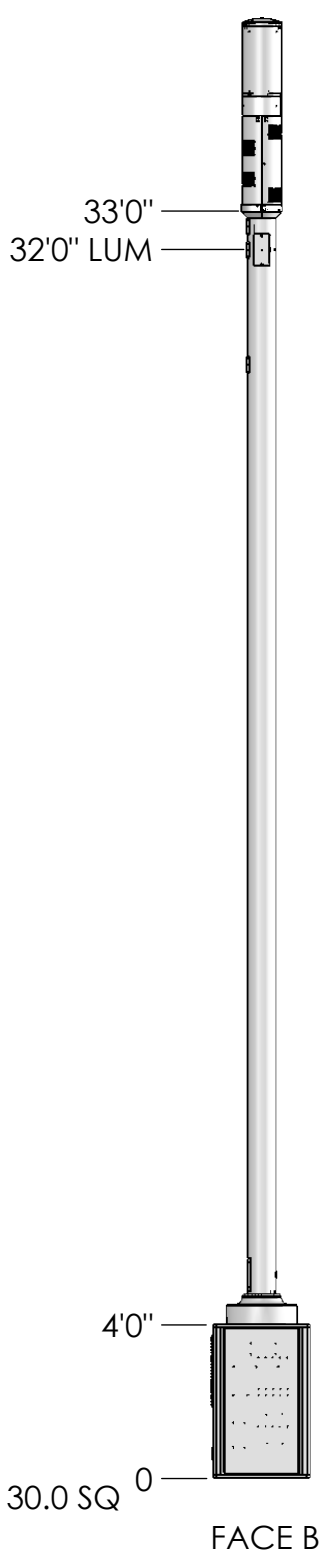
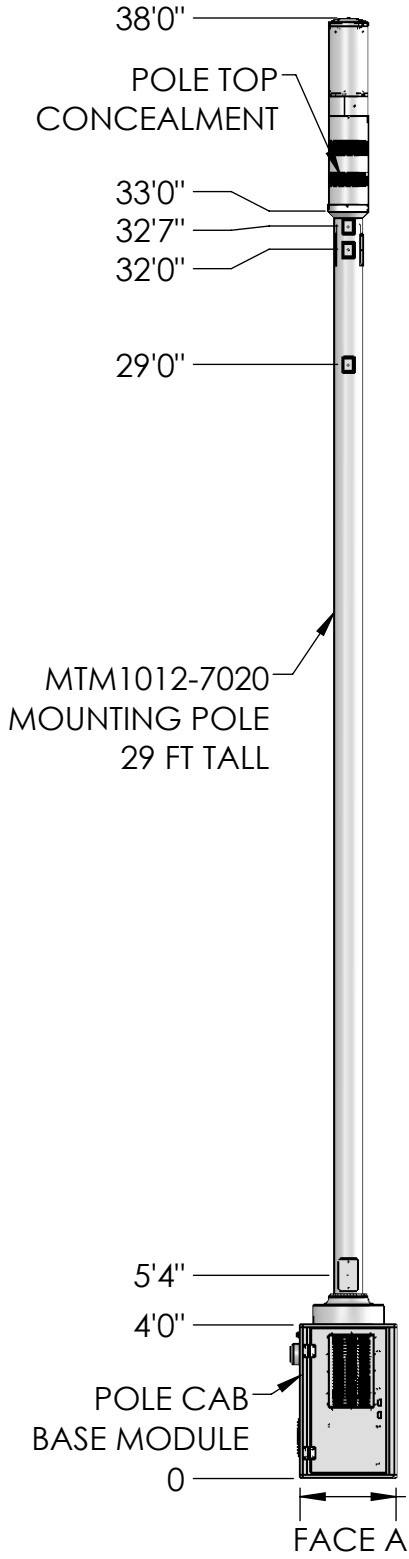
C

B

B

A

A



These drawings and specifications are the proprietary property of CommScope Inc. and may be used only for the specific purpose authorized in writing by CommScope Inc.

ALL DIMENSIONS ARE IN INCHES U.O.S. TOLERANCES UNLESS OTHERWISE SPECIFIED:

|          |      |           |       |
|----------|------|-----------|-------|
| .X = ±   | .12  | ANGLES    | ±2°   |
| .XX = ±  | .06  | FRACTIONS | ±1/32 |
| .XXX = ± | .031 |           |       |

REMOVE BURRS AND BREAK EDGES .005

DO NOT SCALE THIS PRINT

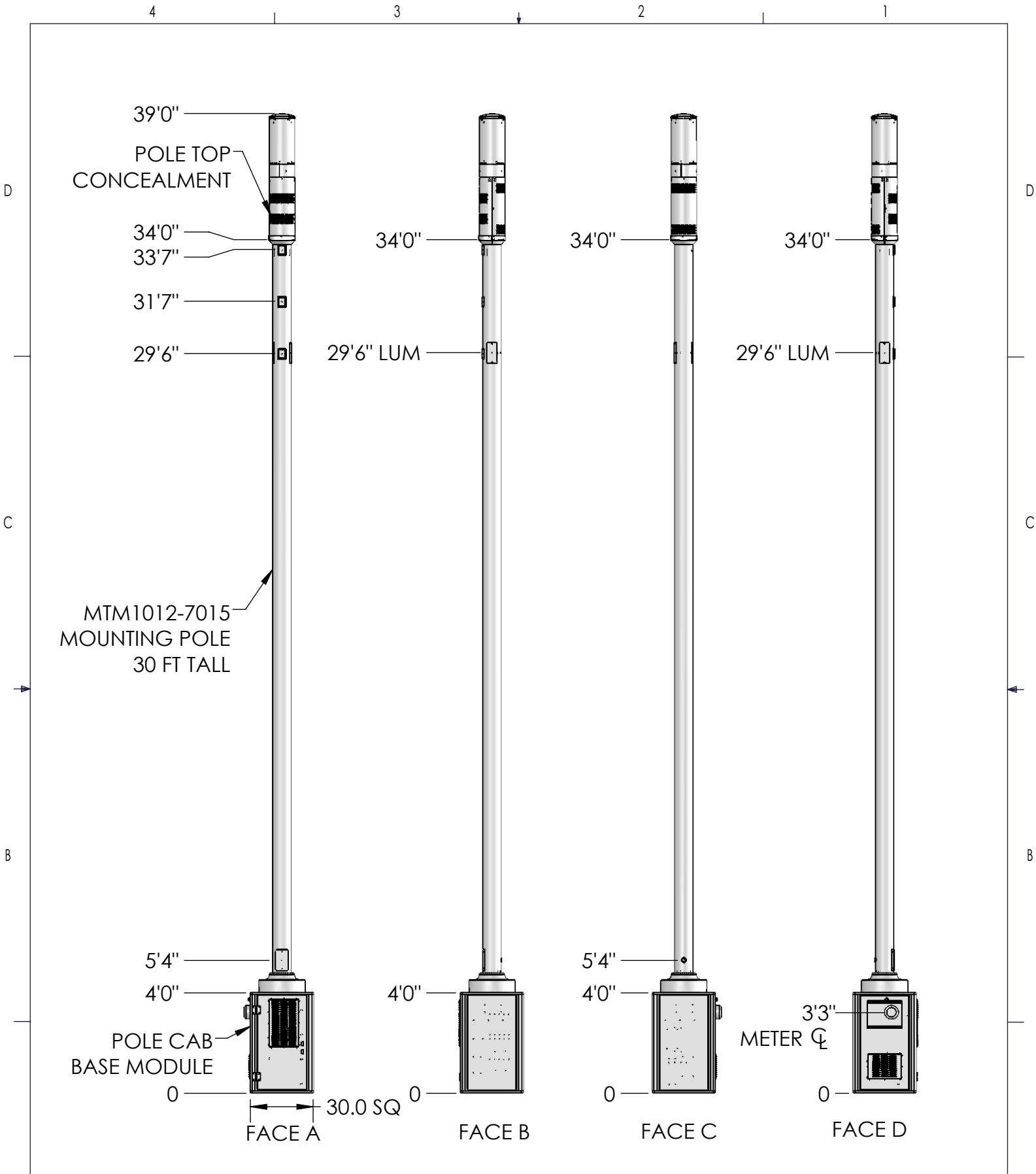
|                  |                    |
|------------------|--------------------|
| DRAWN BY:<br>MJP | SHEET:<br>19 of 1  |
| CHECKED BY:      | SCALE:             |
| DATE:            | MATERIAL:          |
| REVISION:<br>A   | FINISH:<br>WEIGHT: |

PART NUMBER:  
**760240957xx33xP-2**

DESCRIPTION:  
**METRO CELL, 30IN POLE CAB SOLUTION**

DRAWING TYPE:

**COMMSCOPE®**



39'0"  
POLE TOP  
CONCEALMENT

34'0"  
33'7"  
31'7"  
29'6"

34'0"  
29'6" LUM

34'0"  
29'6" LUM

34'0"  
29'6" LUM

MTM1012-7015  
MOUNTING POLE  
30 FT TALL

5'4"  
4'0"  
POLE CAB  
BASE MODULE

4'0"

5'4"  
4'0"

3'3"  
METER  $\varnothing$

0  
FACE A

0  
FACE B

0  
FACE C

0  
FACE D

30.0 SQ

These drawings and specifications are the proprietary property of CommScope Inc. and may be used only for the specific purpose authorized in writing by CommScope Inc.

DRAWN BY: MJP

SHEET: 20 of 1

PART NUMBER: 760240957xx34xP

CHECKED BY:

SCALE:

DESCRIPTION: METRO CELL, 30IN POLE CAB SOLUTION

DATE:

MATERIAL:

DRAWING TYPE:

REVISION: A

FINISH:

WEIGHT:

COMMSCOPE®

ALL DIMENSIONS ARE IN INCHES U.O.S. TOLERANCES UNLESS OTHERWISE SPECIFIED:

.X = ± .12 ANGLES ±2°  
.XX = ± .06 FRACTIONS ±1/32  
.XXX = ± .031

REMOVE BURRS AND BREAK EDGES .005

DO NOT SCALE THIS PRINT

4

3

2

1

D

D

C

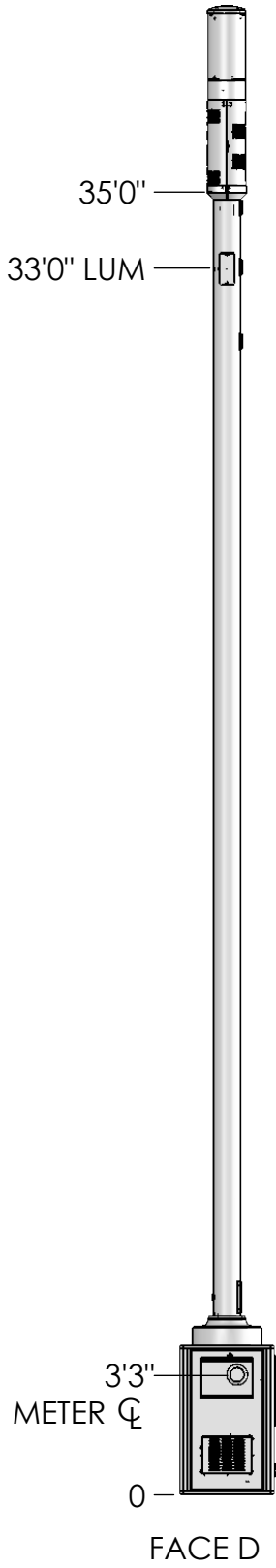
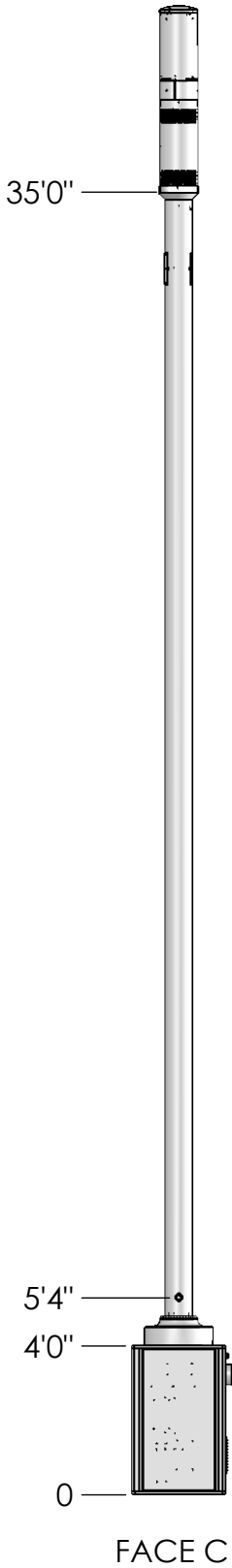
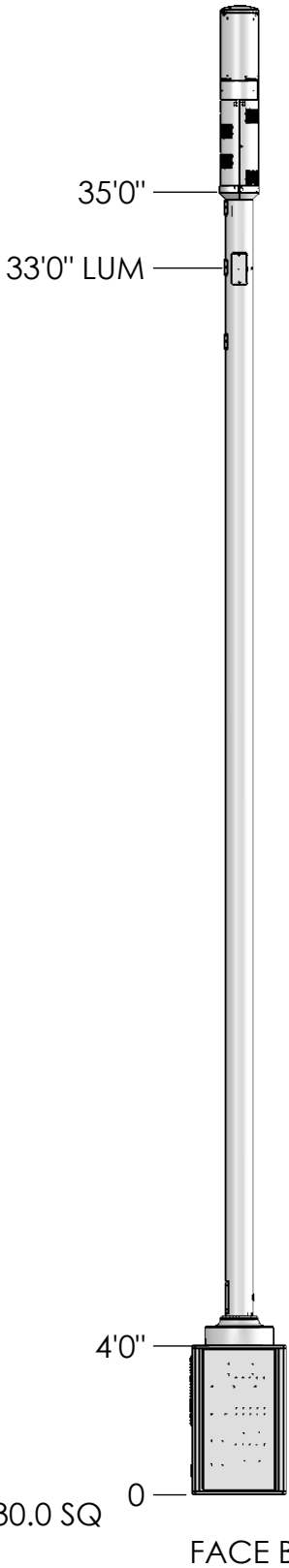
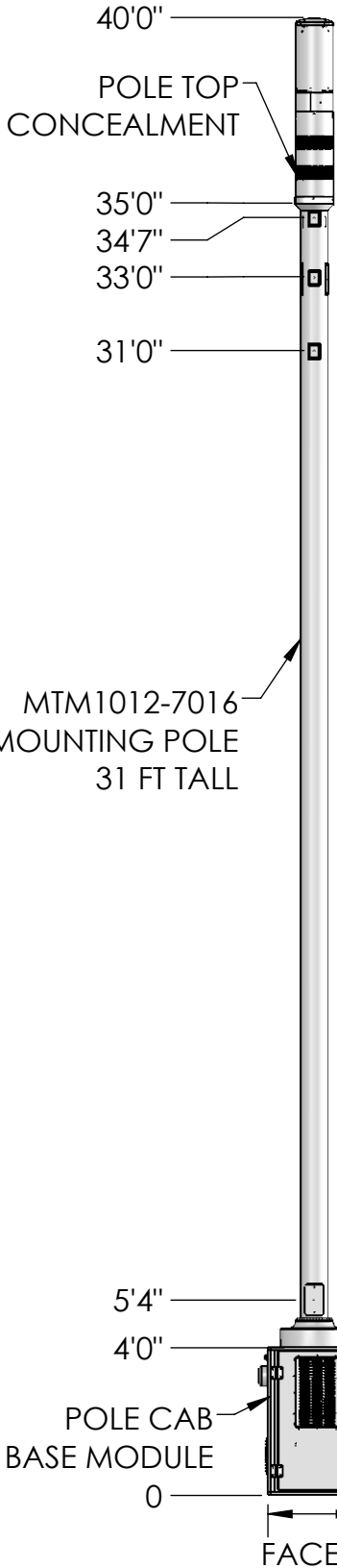
C

B

B

A

A



These drawings and specifications are the proprietary property of Commscope Inc. and may be used only for the specific purpose authorized in writing by Commscope Inc.

DRAWN BY:

MJP

SHEET:

21 of 1

PART NUMBER:

760240957xx35xP

CHECKED BY:

SCALE:

DESCRIPTION:

METRO CELL, 30IN POLE CAB SOLUTION

DATE:

MATERIAL:

DRAWING TYPE:

REVISION:

FINISH:

COMMSCOPE®

A

WEIGHT:

REMOVE BURRS AND BREAK EDGES .005

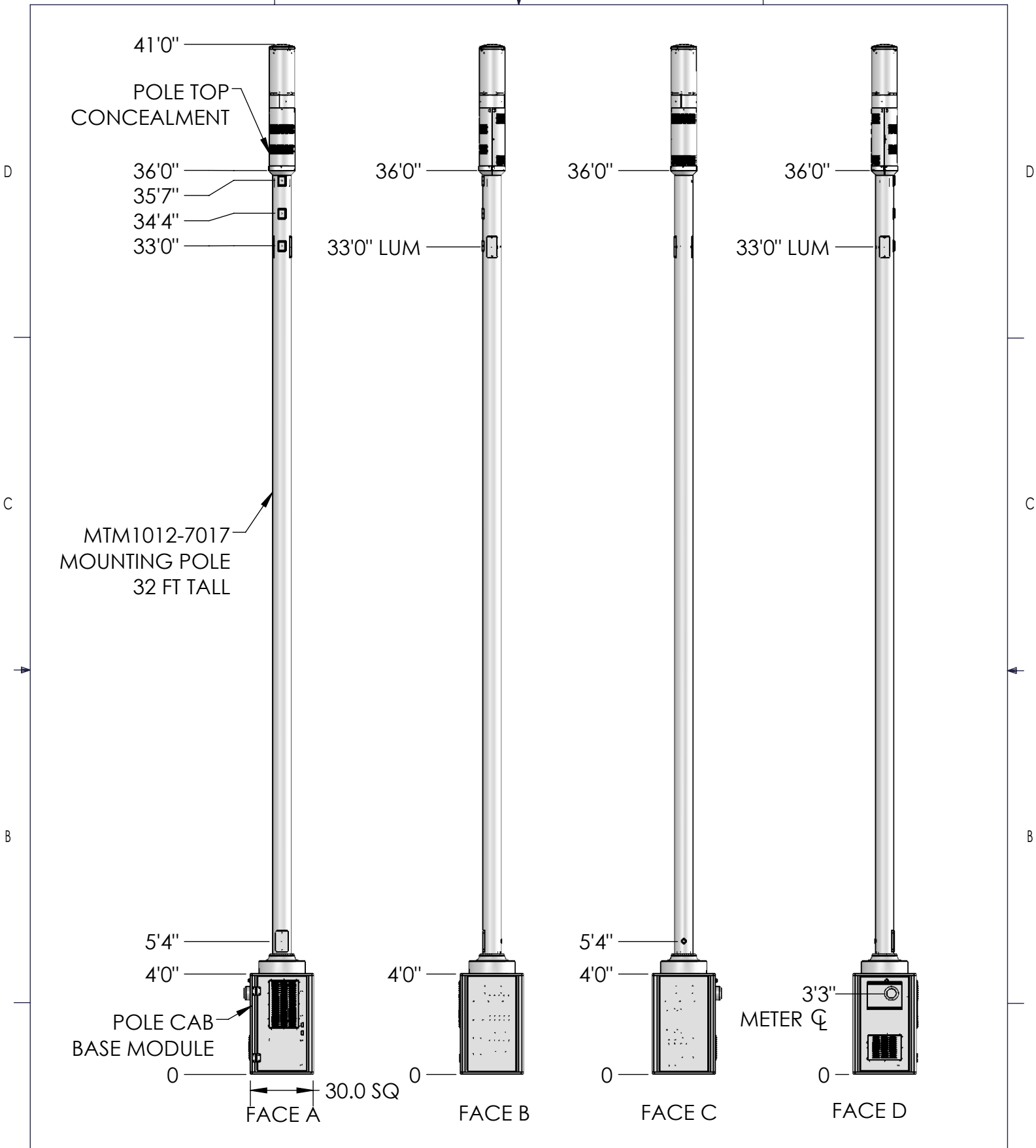
DO NOT SCALE THIS PRINT

4

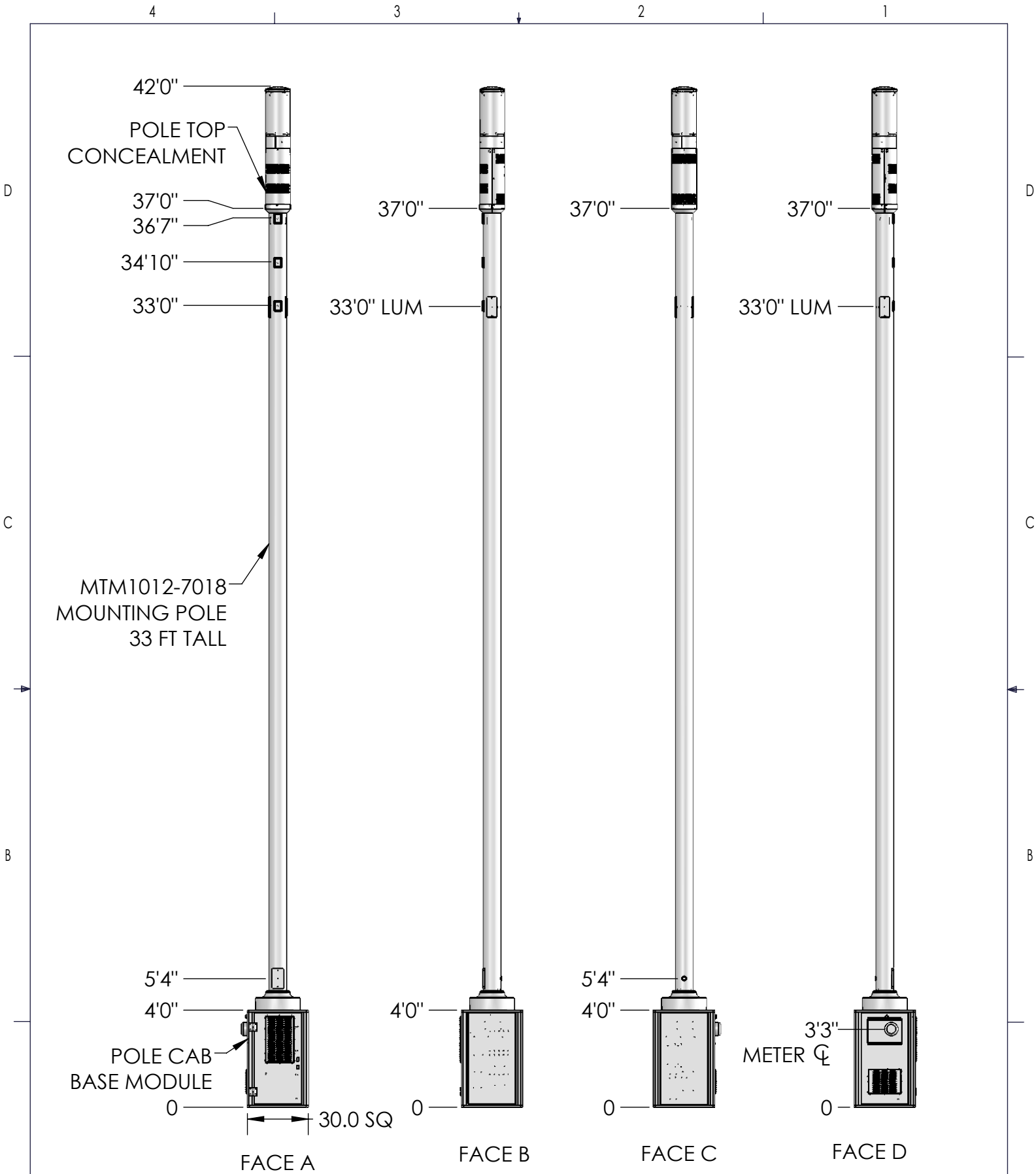
3

2

1

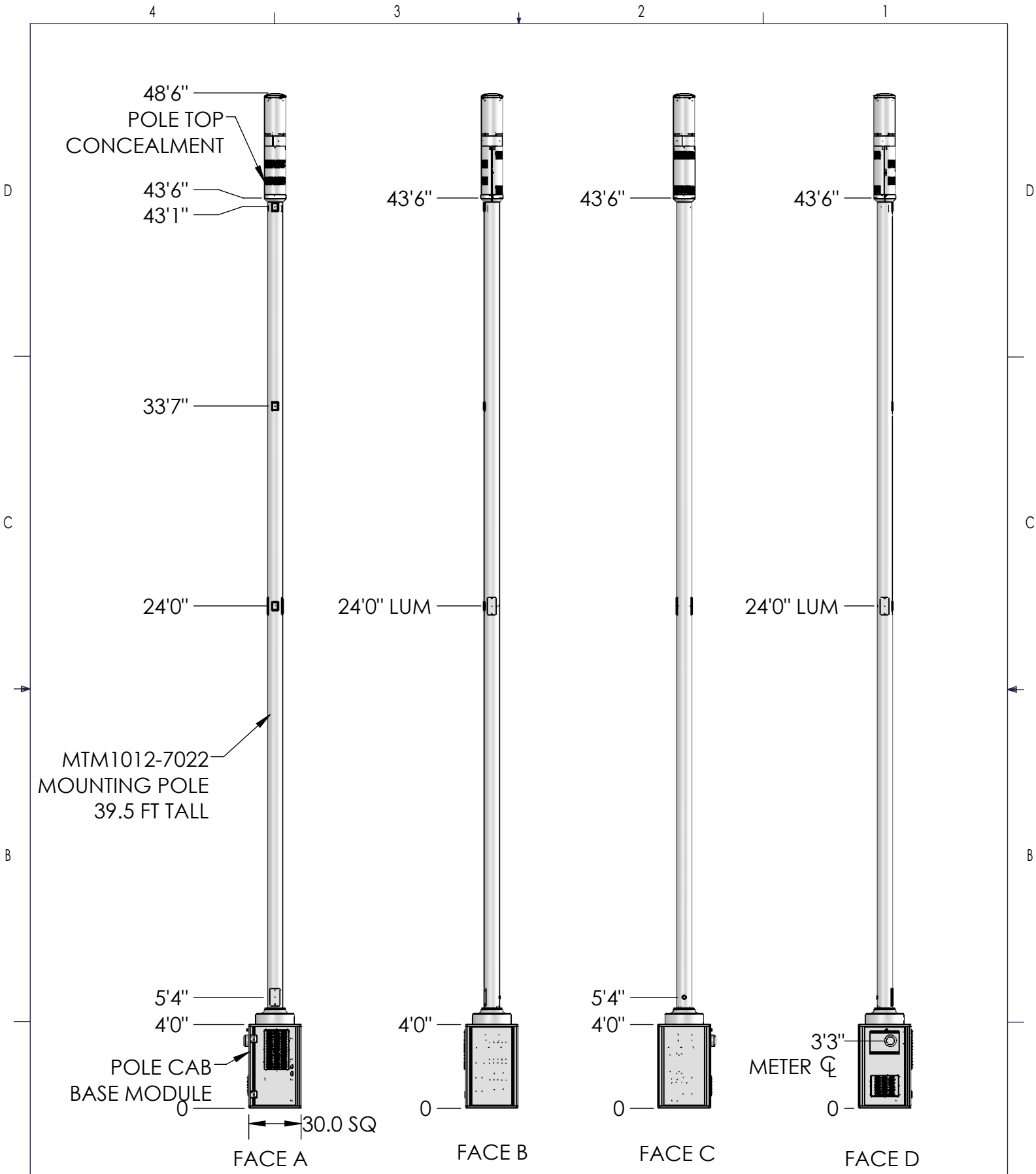


|  |                      |                       |  |
|--|----------------------|-----------------------|--|
| <p>These drawings and specifications are the proprietary property of CommScope Inc. and may be used only for the specific purpose authorized in writing by CommScope Inc.</p> <p>ALL DIMENSIONS ARE IN INCHES U.O.S. TOLERANCES UNLESS OTHERWISE SPECIFIED:</p> <p>.X = ± .12 ANGLES ±2°</p> <p>.XX = ± .06 FRACTIONS ±1/32</p> <p>.XXX = ± .031</p> <p>REMOVE BURRS AND BREAK EDGES .005</p> <p>DO NOT SCALE THIS PRINT</p> | <p>DRAWN BY: MJP</p> | <p>SHEET: 22 of 1</p> | <p>PART NUMBER: 760240957xx36xP</p>                    |
|  | <p>CHECKED BY:</p>   | <p>SCALE:</p>         | <p>DESCRIPTION: METRO CELL, 30IN POLE CAB SOLUTION</p> |
|  | <p>DATE:</p>         | <p>MATERIAL:</p>      | <p>DRAWING TYPE:</p>                                   |
|  | <p>REVISION: A</p>   | <p>FINISH:</p>        | <p><b>COMMSCOPE®</b></p>                               |
|  |                      | <p>WEIGHT:</p>        |  |



|  |                             |                              |   |
|--|-----------------------------|------------------------------|---|
| <p>These drawings and specifications are the proprietary property of CommScope Inc. and may be used only for the specific purpose authorized in writing by CommScope Inc.</p> <p>ALL DIMENSIONS ARE IN INCHES U.O.S. TOLERANCES UNLESS OTHERWISE SPECIFIED:</p> <p>.X = ± .12 ANGLES ±2°</p> <p>.XX = ± .06 FRACTIONS ±1/32</p> <p>.XXX = ± .031</p> <p>REMOVE BURRS AND BREAK EDGES .005</p> <p>DO NOT SCALE THIS PRINT</p> | <p>DRAWN BY:</p> <p>MJP</p> | <p>SHEET:</p> <p>23 of 1</p> | <p>PART NUMBER:</p> <p>760240957xx37xP</p>                    |
|  | <p>CHECKED BY:</p>          | <p>SCALE:</p>                | <p>DESCRIPTION:</p> <p>METRO CELL, 30IN POLE CAB SOLUTION</p> |
|  | <p>DATE:</p>                | <p>MATERIAL:</p>             | <p>DRAWING TYPE:</p>  |
|  | <p>REVISION:</p> <p>A</p>   | <p>FINISH:</p>               | <p>WEIGHT:</p>  |

COMMSCOPE®



|  |                      |                       |  |
|--|----------------------|-----------------------|--|
| <p>These drawings and specifications are the proprietary property of Commscope Inc. and may be used only for the specific purpose authorized in writing by Commscope Inc.</p> <p>ALL DIMENSIONS ARE IN INCHES U.O.S. TOLERANCES UNLESS OTHERWISE SPECIFIED:</p> <p>.X = ± .12 ANGLES ±2°<br/>         .XX = ± .06 FRACTIONS ±1/32<br/>         .XXX = ± .031</p> <p>REMOVE BURRS AND BREAK EDGES .005</p> <p>DO NOT SCALE THIS PRINT</p> | <p>DRAWN BY: MJP</p> | <p>SHEET: 24 of 1</p> | <p>PART NUMBER: 760240957xx44xP</p>                    |
|  | <p>CHECKED BY:</p>   | <p>SCALE:</p>         | <p>DESCRIPTION: METRO CELL, 30IN POLE CAB SOLUTION</p> |
|  | <p>DATE:</p>         | <p>MATERIAL:</p>      | <p>DRAWING TYPE:</p>                                   |
|  | <p>REVISION: A</p>   | <p>FINISH:</p>        | <p><b>COMMSCOPE®</b></p>                               |
|  |                      | <p>WEIGHT:</p>        |  |



4

3

2

1

D

D

C

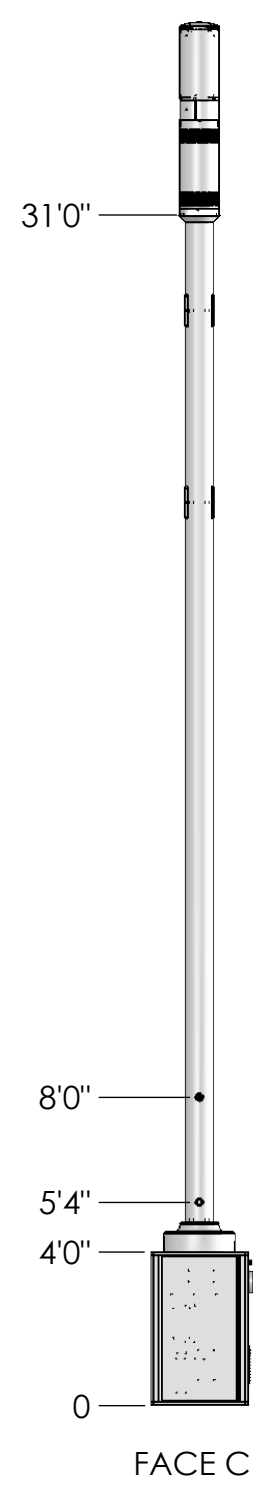
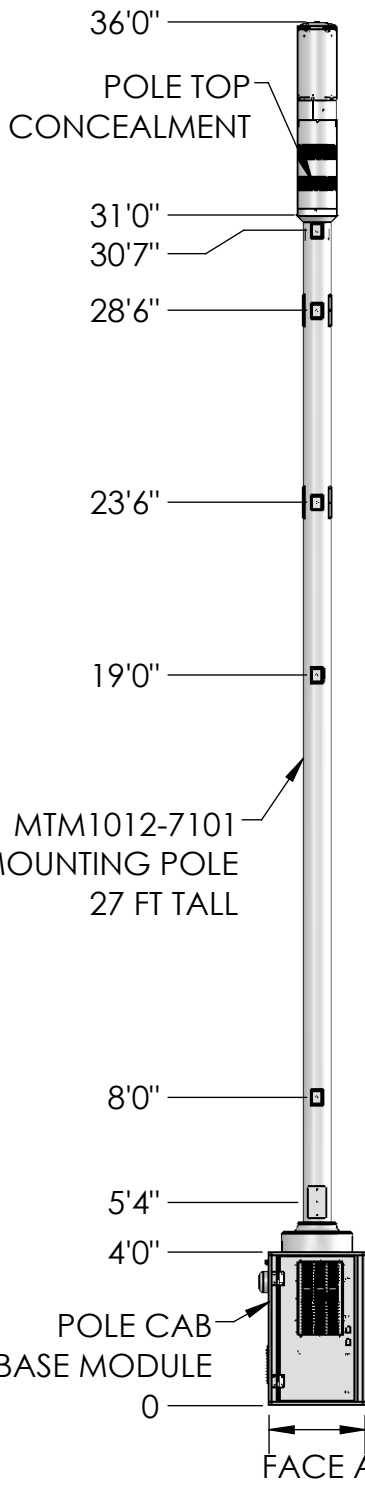
C

B

B

A

A



MTM1012-7101  
MOUNTING POLE  
27 FT TALL

These drawings and specifications are the proprietary property of Commscope Inc. and may be used only for the specific purpose authorized in writing by Commscope Inc.

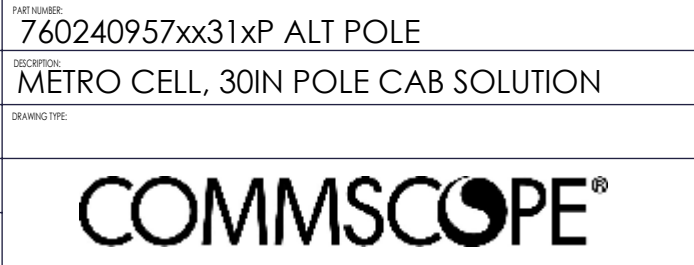
ALL DIMENSIONS ARE IN INCHES U.O.S. TOLERANCES UNLESS OTHERWISE SPECIFIED:

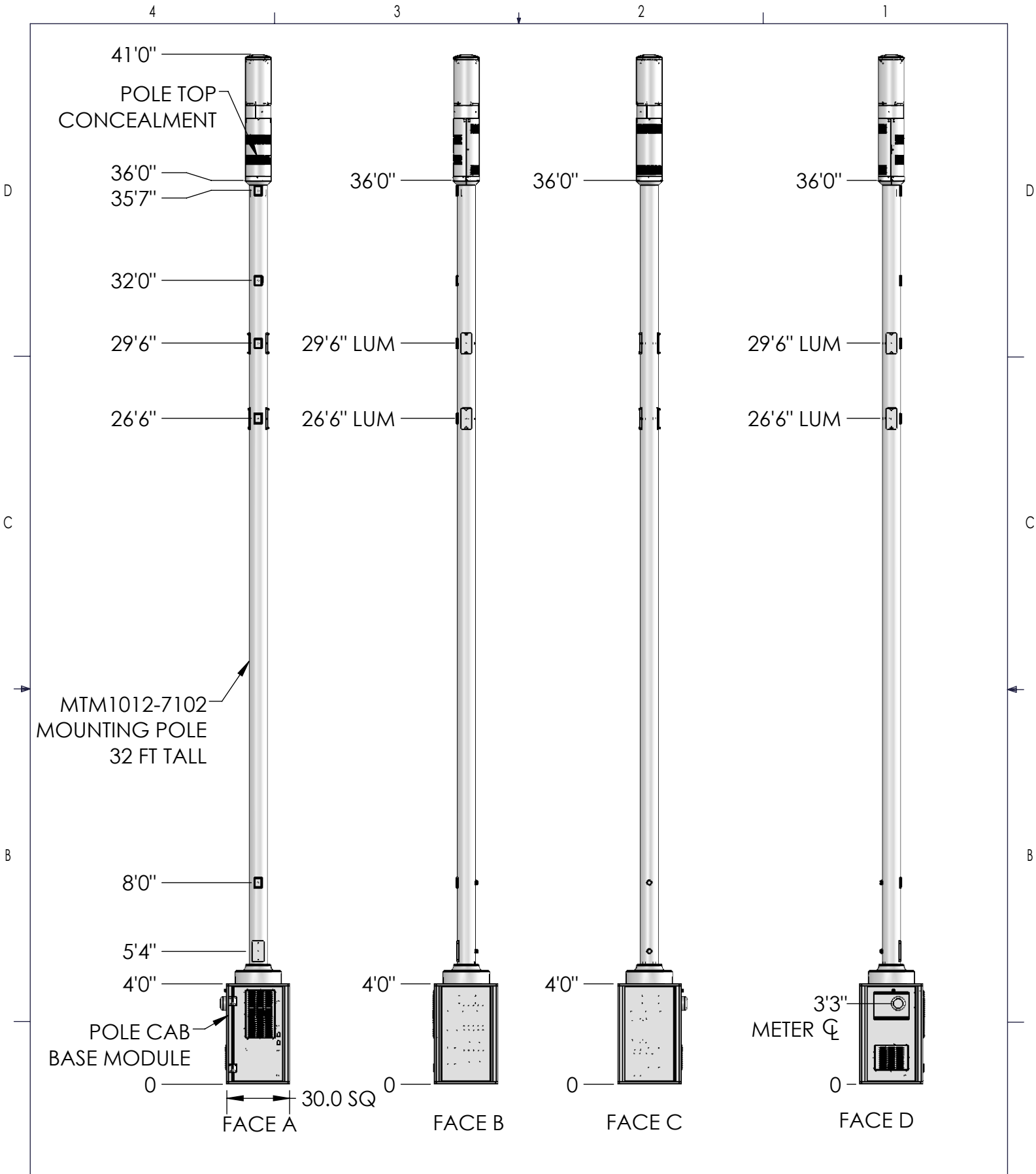
|          |      |           |       |
|----------|------|-----------|-------|
| .X = ±   | .12  | ANGLES    | ±2°   |
| .XX = ±  | .06  | FRACTIONS | ±1/32 |
| .XXX = ± | .031 |           |       |

REMOVE BURRS AND BREAK EDGES .005

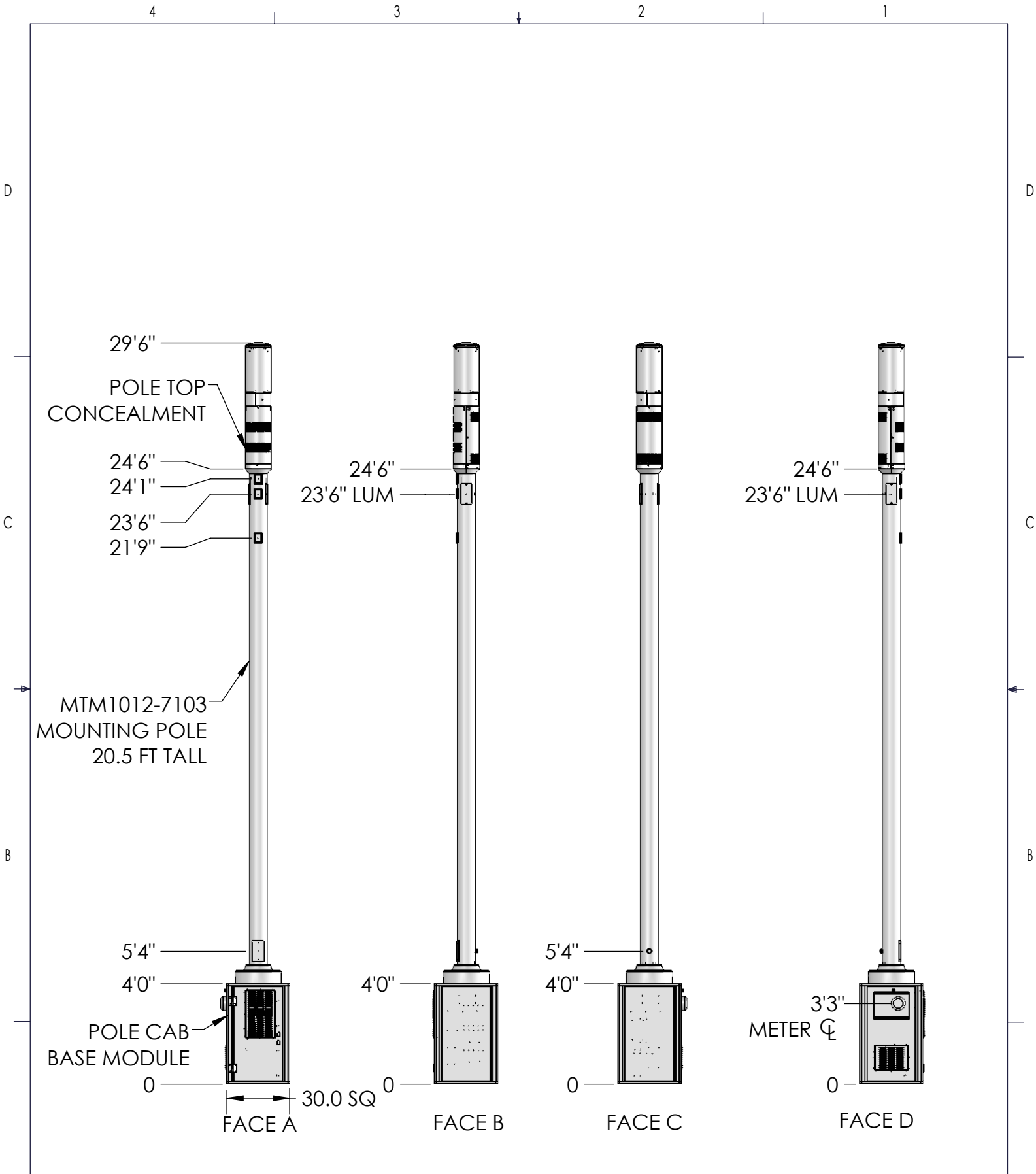
DO NOT SCALE THIS PRINT

|                  |                   |  |
|------------------|-------------------|--|
| DRAWN BY:<br>MJP | SHEET:<br>25 of 1 | PART NUMBER:<br>760240957xx31xP ALT POLE           |
| CHECKED BY:      | SCALE:            | DESCRIPTION:<br>METRO CELL, 30IN POLE CAB SOLUTION |
| DATE:            | MATERIAL:         | DRAWING TYPE:                                      |
| REVISION:<br>A   | FINISH:           |  |
|                  | WEIGHT:           |  |





|  |                  |                    |  |
|--|------------------|--------------------|--|
| <p>These drawings and specifications are the proprietary property of CommScope Inc. and may be used only for the specific purpose authorized in writing by CommScope Inc.</p> <p>ALL DIMENSIONS ARE IN INCHES U.O.S. TOLERANCES UNLESS OTHERWISE SPECIFIED:</p> <p>.X = ± .12 ANGLES ±2°<br/>         .XX = ± .06 FRACTIONS ±1/32<br/>         .XXX = ± .031</p> <p>REMOVE BURRS AND BREAK EDGES .005</p> <p>DO NOT SCALE THIS PRINT</p> | DRAWN BY:<br>MJP | SHEET:<br>26 of 1  | PART NUMBER:<br>760240957xx36xP ALT POLE           |
|  | CHECKED BY:      | SCALE:             | DESCRIPTION:<br>METRO CELL, 30IN POLE CAB SOLUTION |
|  | DATE:            | MATERIAL:          | DRAWING TYPE:                                      |
|  | REVISION:<br>A   | FINISH:<br>WEIGHT: |  |



|  |                  |                   |  |
|--|------------------|-------------------|--|
| <p>These drawings and specifications are the proprietary property of CommScope Inc. and may be used only for the specific purpose authorized in writing by CommScope Inc.</p> <p>ALL DIMENSIONS ARE IN INCHES U.O.S. TOLERANCES UNLESS OTHERWISE SPECIFIED:</p> <p>.X = ± .12 ANGLES ±2°<br/>         .XX = ± .06 FRACTIONS ±1/32<br/>         .XXX = ± .031</p> <p>REMOVE BURRS AND BREAK EDGES .005</p> <p>DO NOT SCALE THIS PRINT</p> | DRAWN BY:<br>MJP | SHEET:<br>27 of 1 | PART NUMBER:<br>760240957xx25xP ALT POLE           |
|  | CHECKED BY:      | SCALE:            | DESCRIPTION:<br>METRO CELL, 30IN POLE CAB SOLUTION |
|  | DATE:            | MATERIAL:         | DRAWING TYPE:                                      |
|  | REVISION:<br>A   | FINISH:           |  |
|  |                  | WEIGHT:           |  |

4

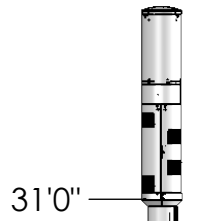
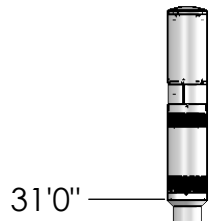
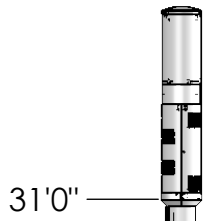
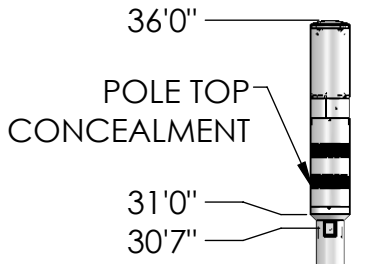
3

2

1

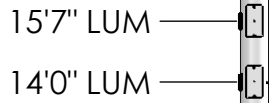
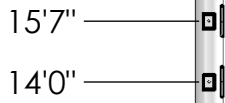
D

D



C

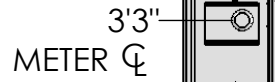
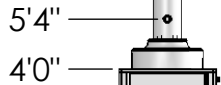
C



B

B

MTM1087-7001  
MOUNTING POLE  
27 FT TALL



POLE CAB  
BASE MODULE



FACE A

FACE B

FACE C

FACE D

A

A

These drawings and specifications are the proprietary property of Commscope Inc. and may be used only for the specific purpose authorized in writing by Commscope Inc.

DRAWN BY:  
MJP

SHEET:  
28 of 1

PART NUMBER:  
760240957xx31xP ALT POLE-2

CHECKED BY:

SCALE:

DESCRIPTION:  
METRO CELL, 30IN POLE CAB SOLUTION

DATE:

MATERIAL:

DRAWING TYPE:

ALL DIMENSIONS ARE IN INCHES U.O.S.  
TOLERANCES UNLESS OTHERWISE SPECIFIED:  
.X = ± .12 ANGLES ±2°  
.XX = ± .06 FRACTIONS ±1/32  
.XXX = ± .031

REMOVE BURRS AND BREAK EDGES .005

REVISION:  
A

FINISH:  
WEIGHT:

COMMSCOPE®

DO NOT SCALE THIS PRINT

4

3

2

1