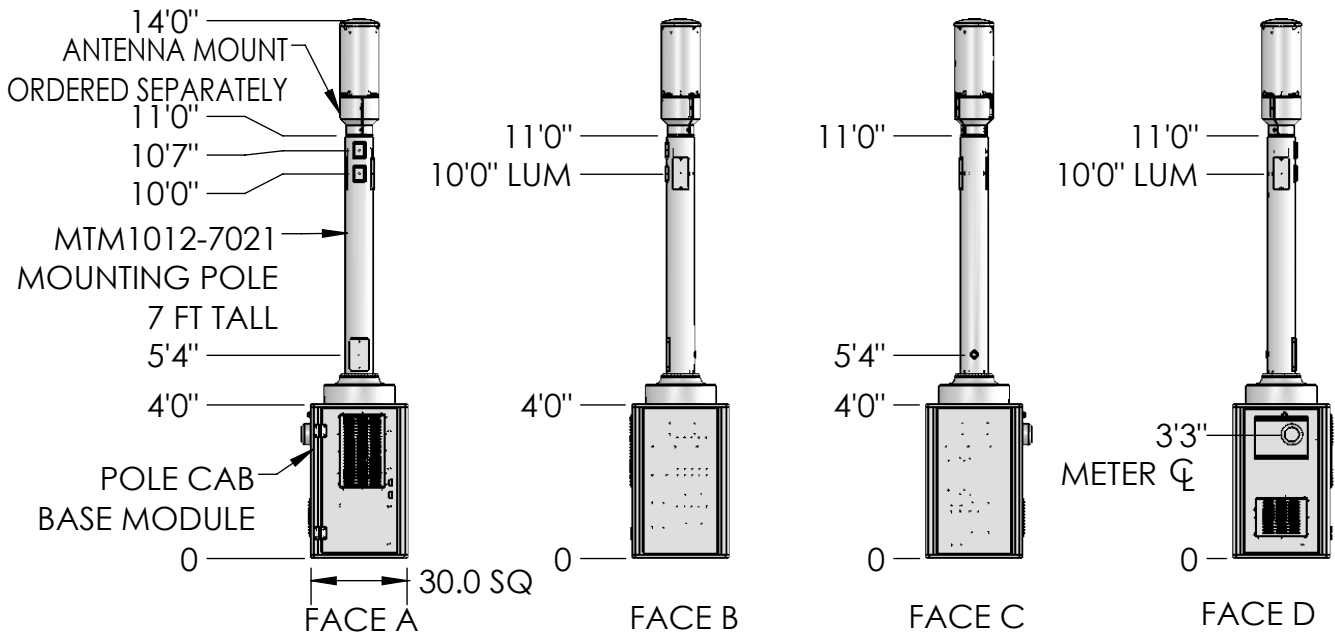


REVISIONS			
REV.	DESCRIPTION	BY	DATE
A	INITIAL RELEASE	MJP	11/11/2021



These drawings and specifications are the proprietary property of CommScope Inc. and may be used only for the specific purpose authorized in writing by CommScope Inc.

ALL DIMENSIONS ARE IN INCHES U.O.S.
TOLERANCES UNLESS OTHERWISE SPECIFIED:

.X = ±	.12	ANGLES	±2°
.XX = ±	.06	FRACTIONS	±1/32
.XXX = ±	.031		

REMOVE BURRS AND BREAK EDGES .005

DO NOT SCALE THIS PRINT

DRAWN BY: MJP	SHEET: 1 of 1	PART NUMBER: 760240957xx11x
CHECKED BY:	SCALE:	DESCRIPTION: METRO CELL, 30IN POLE CAB SOLUTION
DATE:	MATERIAL:	DRAWING TYPE:
REVISION: A	FINISH:	COMMSCOPE®
	WEIGHT:	

4

3

2

1

D

D

C

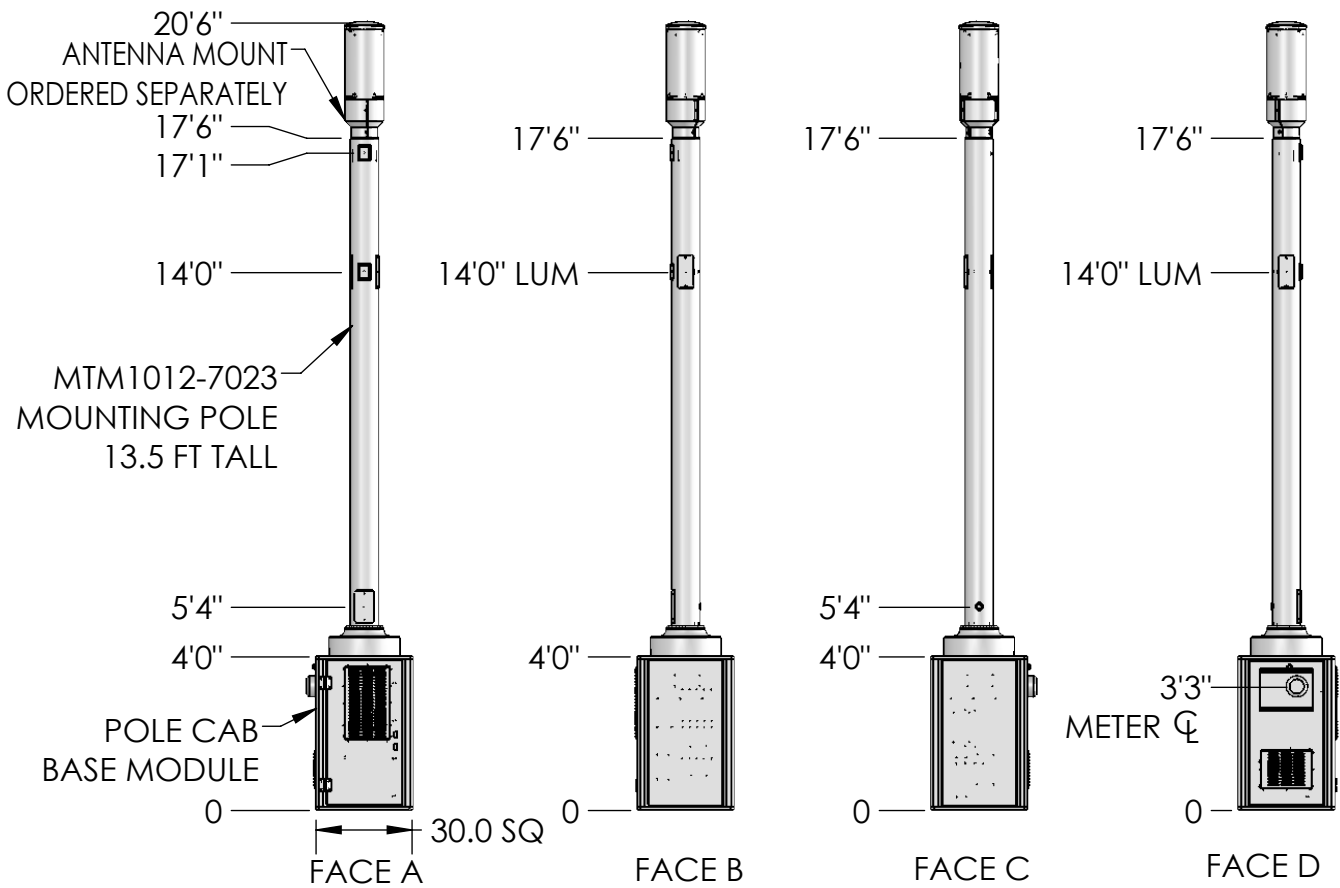
C

B

B

A

A



These drawings and specifications are the proprietary property of CommScope Inc. and may be used only for the specific purpose authorized in writing by CommScope Inc.

DRAWN BY: MJP

SHEET: 2 of 1

PART NUMBER: 760240957xx18x

CHECKED BY:

SCALE:

DESCRIPTION: METRO CELL, 30IN POLE CAB SOLUTION

DATE:

MATERIAL:

DRAWING TYPE:

REVISION: A

FINISH:

COMMSCOPE®

WEIGHT:

REMOVE BURRS AND BREAK EDGES .005

DO NOT SCALE THIS PRINT

4

3

2

1

4

3

2

1

D

D

C

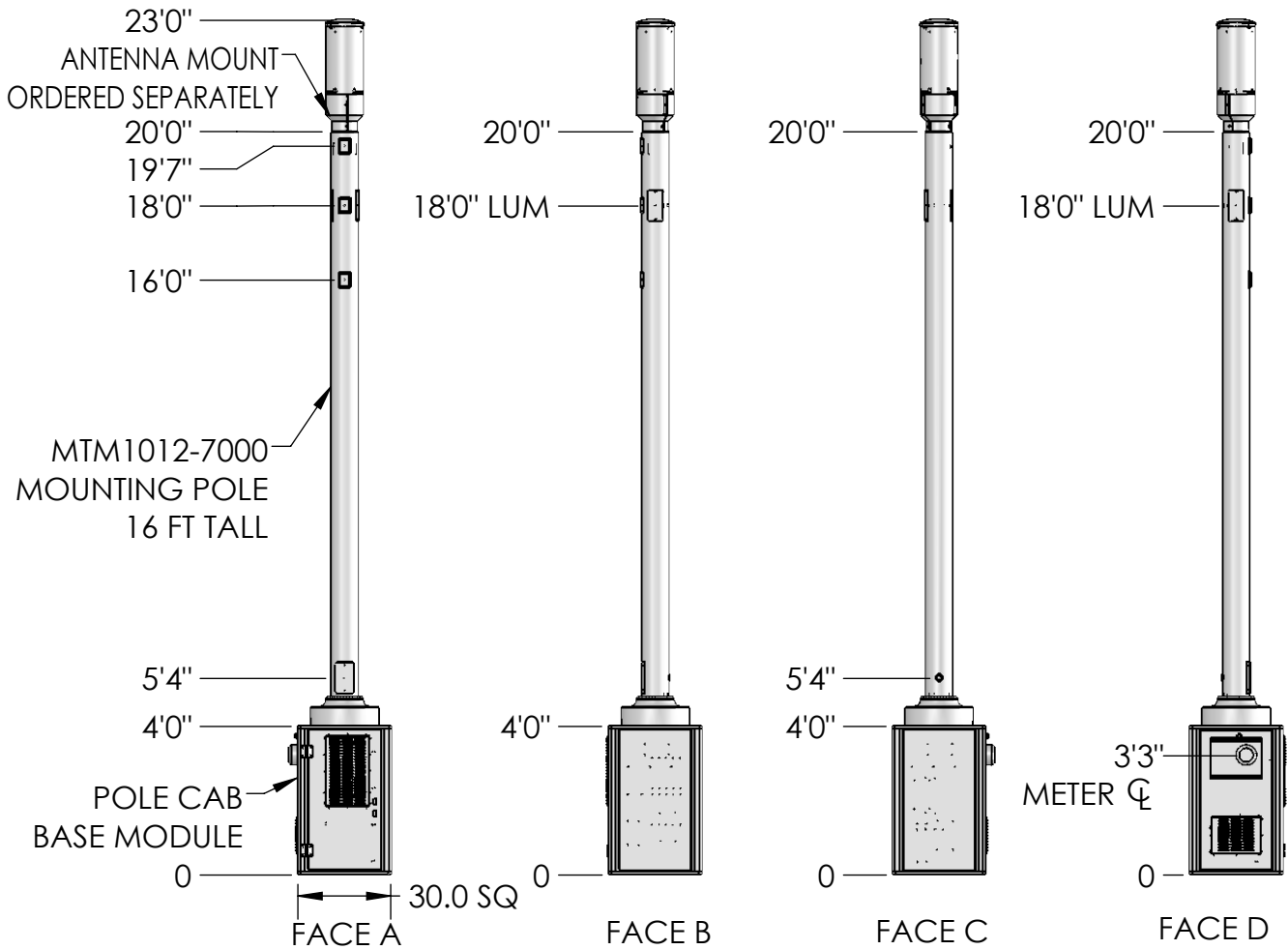
C

B

B

A

A



These drawings and specifications are the proprietary property of CommScope Inc. and may be used only for the specific purpose authorized in writing by CommScope Inc.

DRAWN BY: MJP

SHEET: 3 of 1

PART NUMBER: 760240957xx20x

CHECKED BY:

SCALE:

DESCRIPTION: METRO CELL, 30IN POLE CAB SOLUTION

DATE:

MATERIAL:

DRAWING TYPE:

REVISION: A

FINISH:

COMMSCOPE®

WEIGHT:

ALL DIMENSIONS ARE IN INCHES U.O.S. TOLERANCES UNLESS OTHERWISE SPECIFIED:

.X = ± .12 ANGLES ±2°
 .XX = ± .06 FRACTIONS ±1/32
 .XXX = ± .031

REMOVE BURRS AND BREAK EDGES .005

DO NOT SCALE THIS PRINT

4

3

2

1

4

3

2

1

D

D

C

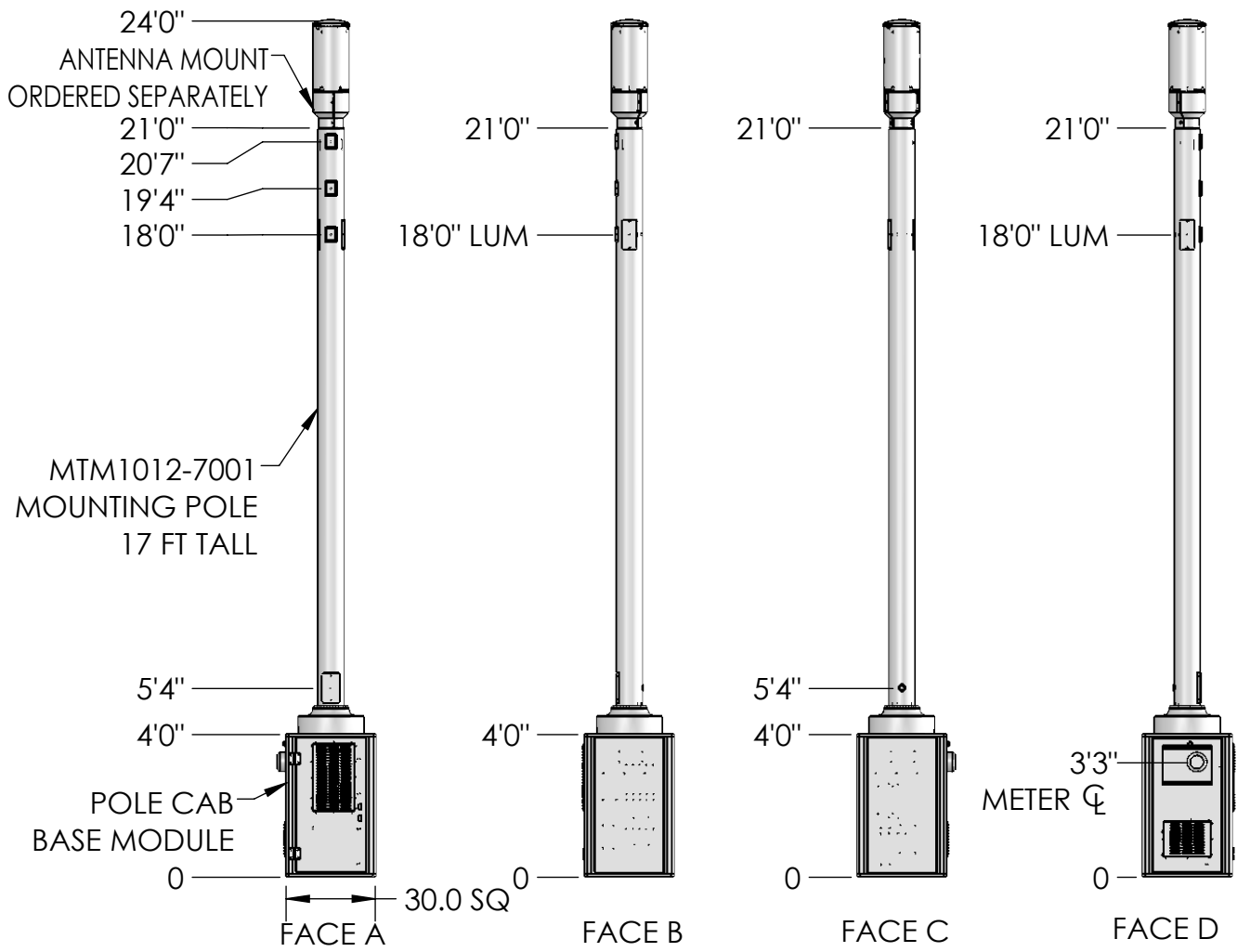
C

B

B

A

A



These drawings and specifications are the proprietary property of CommScope Inc. and may be used only for the specific purpose authorized in writing by CommScope Inc.

DRAWN BY: MJP

SHEET: 4 of 1

PART NUMBER: 760240957xx21x

CHECKED BY:

SCALE:

DESCRIPTION: METRO CELL, 30IN POLE CAB SOLUTION

DATE:

MATERIAL:

DRAWING TYPE:

REVISION: A

FINISH:

WEIGHT:

COMMSCOPE®

ALL DIMENSIONS ARE IN INCHES U.O.S. TOLERANCES UNLESS OTHERWISE SPECIFIED:

.X = ± .12 ANGLES ±2°
 .XX = ± .06 FRACTIONS ±1/32
 .XXX = ± .031

REMOVE BURRS AND BREAK EDGES .005

DO NOT SCALE THIS PRINT

4

3

2

1

4

3

2

1

D

D

C

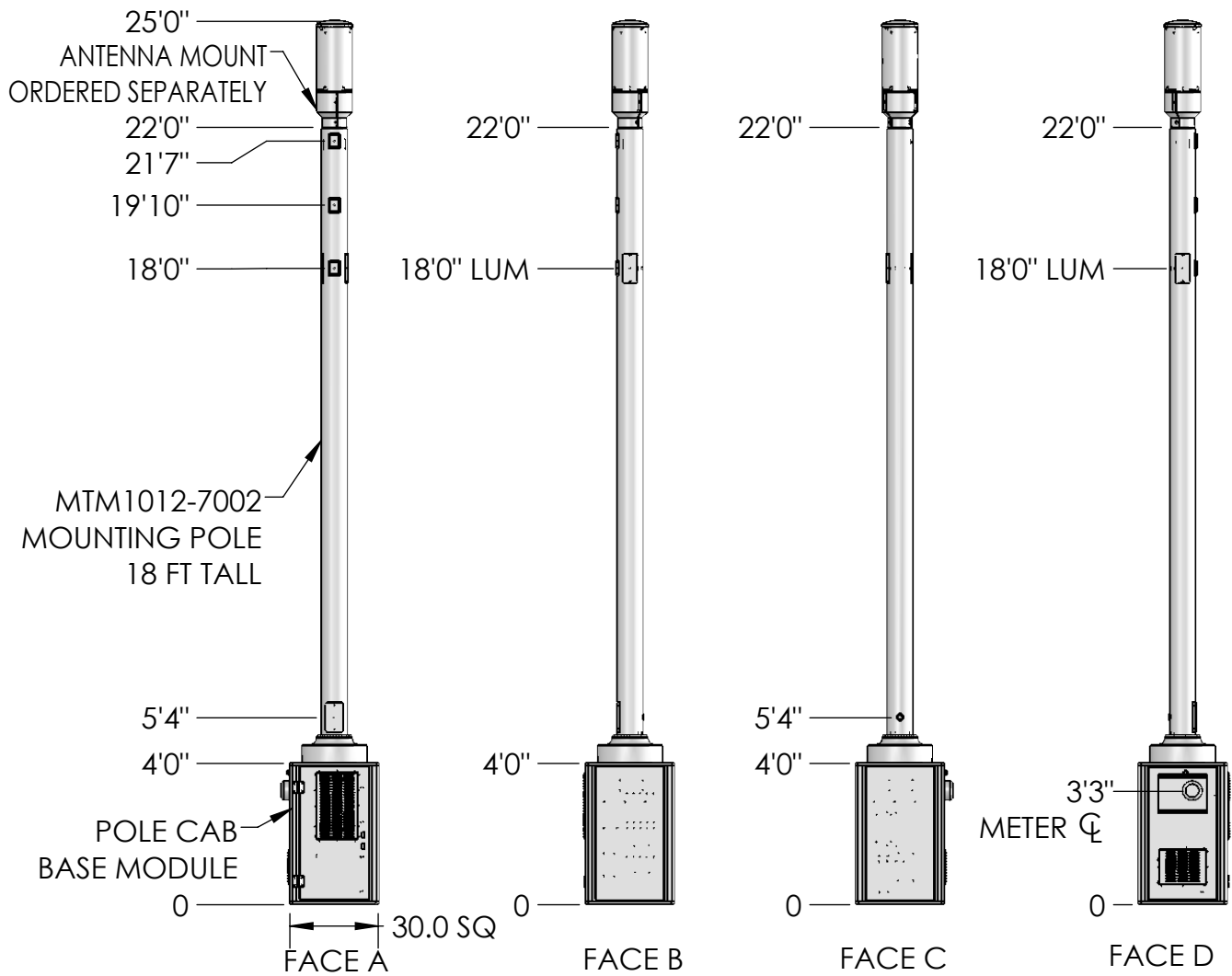
C

B

B

A

A



These drawings and specifications are the proprietary property of CommScope Inc. and may be used only for the specific purpose authorized in writing by CommScope Inc.

DRAWN BY: MJP

SHEET: 5 of 1

PART NUMBER: 760240957xx22x

CHECKED BY:

SCALE:

DESCRIPTION: METRO CELL, 30IN POLE CAB SOLUTION

DATE:

MATERIAL:

DRAWING TYPE:

REVISION: A

FINISH:

COMMSCOPE®

WEIGHT:

REMOVE BURRS AND BREAK EDGES .005

DO NOT SCALE THIS PRINT

4

3

2

1

D

D

C

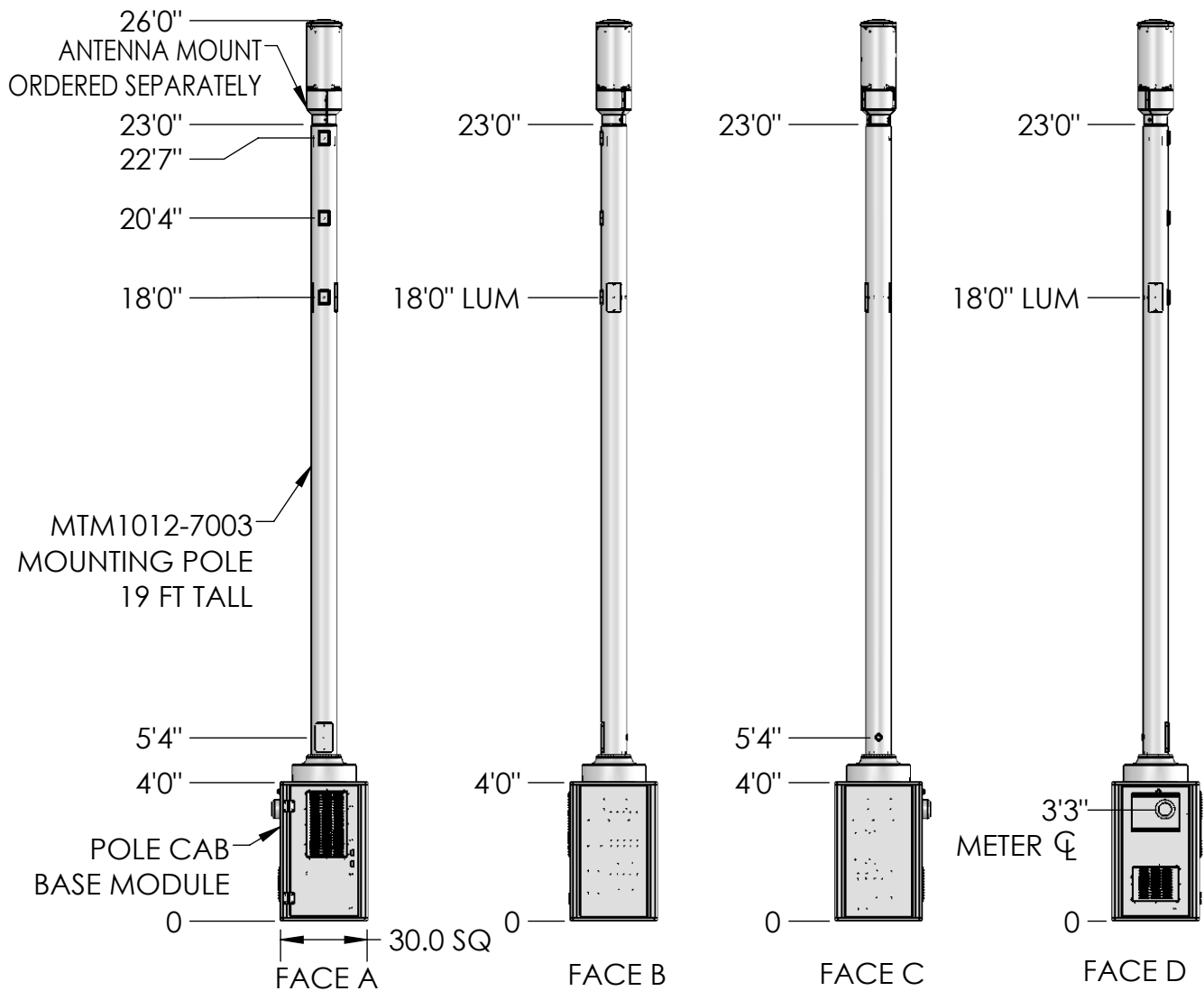
C

B

B

A

A



These drawings and specifications are the proprietary property of CommScope Inc. and may be used only for the specific purpose authorized in writing by CommScope Inc.

DRAWN BY: MJP

SHEET: 6 of 1

PART NUMBER: 760240957xx23x

CHECKED BY:

SCALE:

DESCRIPTION: METRO CELL, 30IN POLE CAB SOLUTION

DATE:

MATERIAL:

DRAWING TYPE:

REVISION: A

FINISH:

WEIGHT:

COMMSCOPE®

ALL DIMENSIONS ARE IN INCHES U.O.S. TOLERANCES UNLESS OTHERWISE SPECIFIED:

.X = ± .12 ANGLES ±2°
 .XX = ± .06 FRACTIONS ±1/32
 .XXX = ± .031

REMOVE BURRS AND BREAK EDGES .005

DO NOT SCALE THIS PRINT

D

D

C

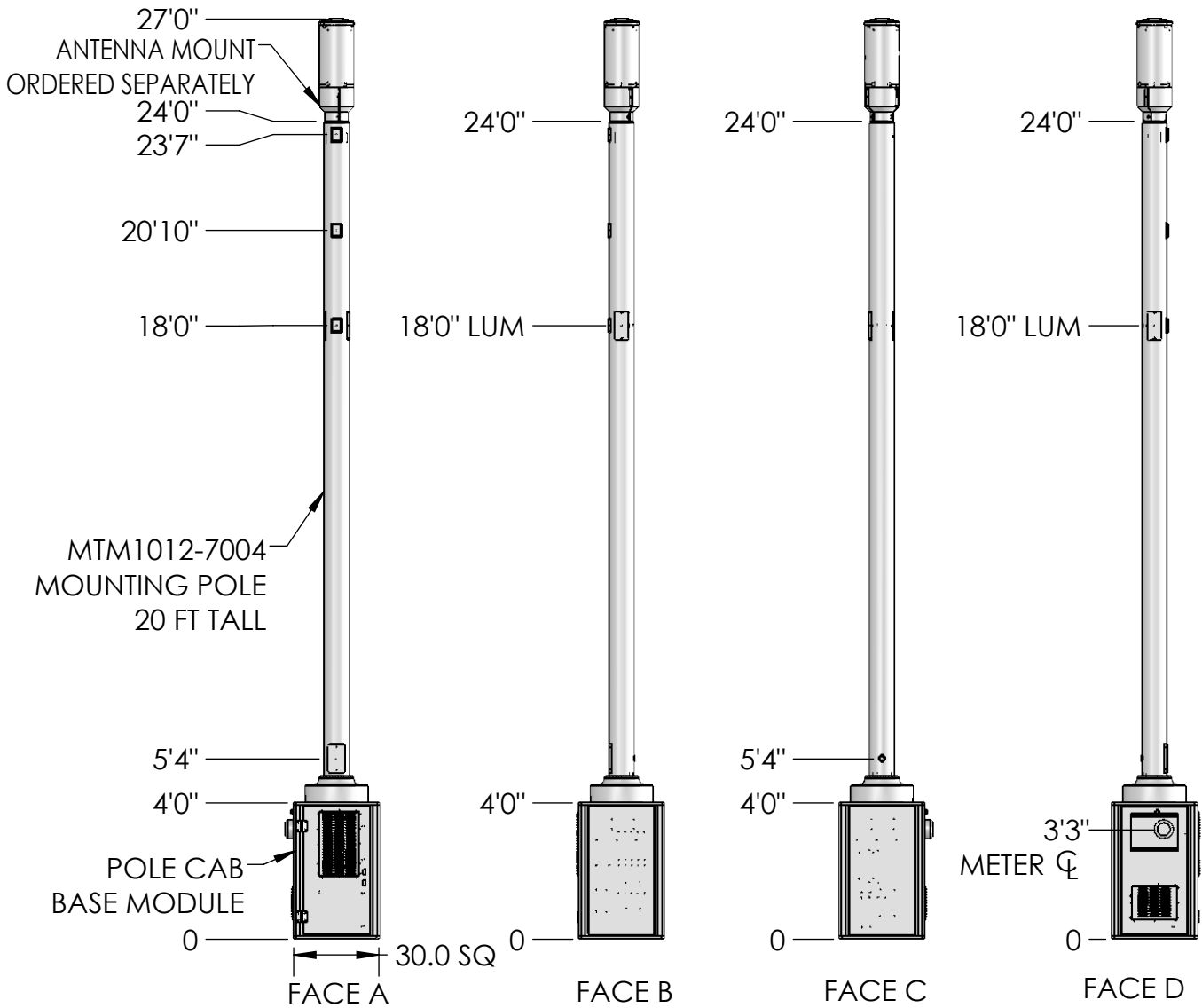
C

B

B

A

A



These drawings and specifications are the proprietary property of CommScope Inc. and may be used only for the specific purpose authorized in writing by CommScope Inc.

DRAWN BY: MJP

SHEET: 7 of 1

PART NUMBER: 760240957xx24x

CHECKED BY:

SCALE:

DESCRIPTION: METRO CELL, 30IN POLE CAB SOLUTION

DATE:

MATERIAL:

DRAWING TYPE:

REVISION: A

FINISH:

COMMSCOPE®

WEIGHT:

ALL DIMENSIONS ARE IN INCHES U.O.S. TOLERANCES UNLESS OTHERWISE SPECIFIED:
 .X = ± .12 ANGLES ±2°
 .XX = ± .06 FRACTIONS ±1/32
 .XXX = ± .031

REMOVE BURRS AND BREAK EDGES .005

DO NOT SCALE THIS PRINT

D

D

C

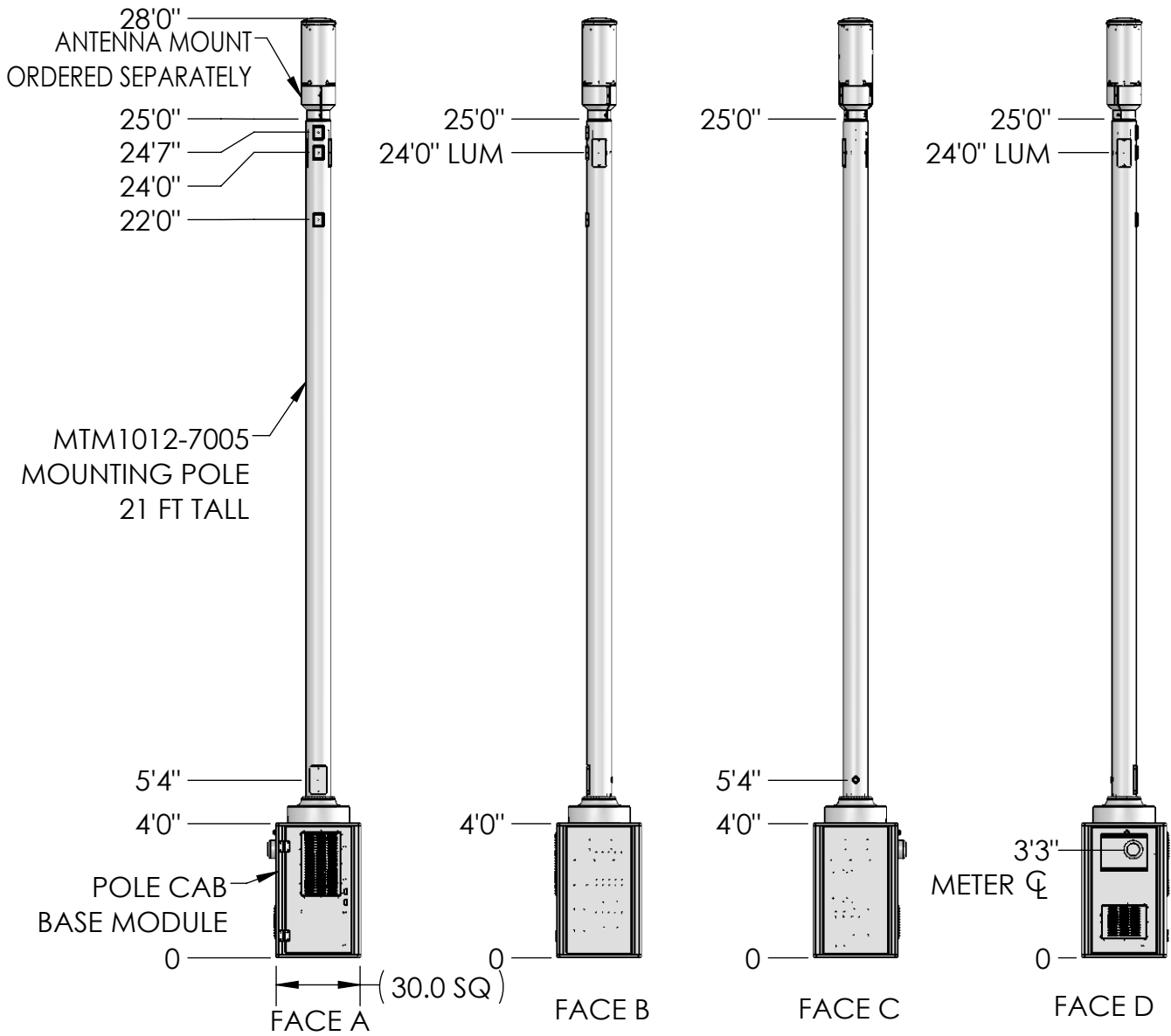
C

B

B

A

A



These drawings and specifications are the proprietary property of CommScope Inc. and may be used only for the specific purpose authorized in writing by CommScope Inc.

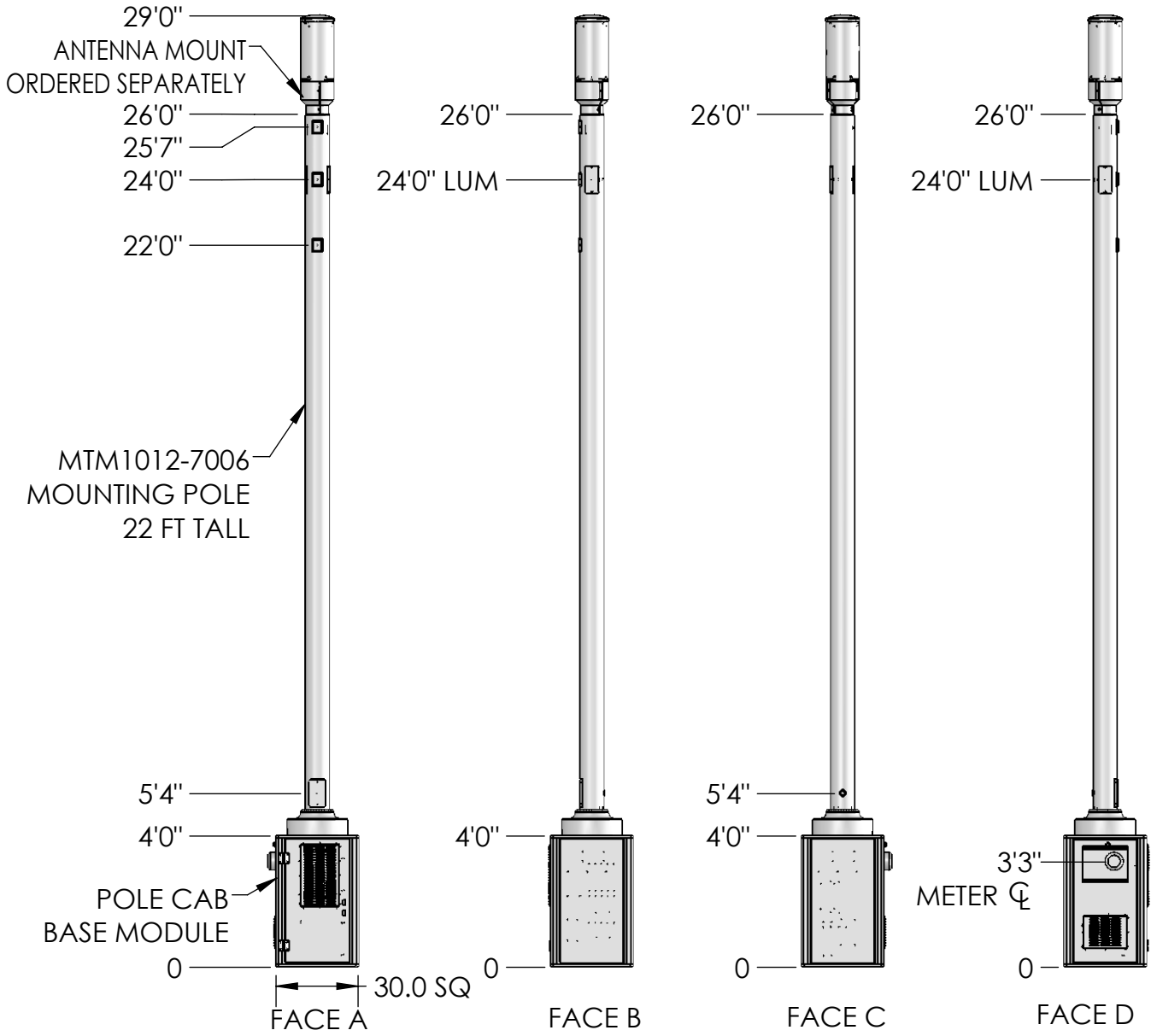
DRAWN BY: MJP	SHEET: 8 of 1	PART NUMBER: 760240957xx25x
CHECKED BY:	SCALE:	DESCRIPTION: METRO CELL, 30IN POLE CAB SOLUTION
DATE:	MATERIAL:	DRAWING TYPE:
REVISION: A	FINISH:	
	WEIGHT:	

ALL DIMENSIONS ARE IN INCHES U.O.S.
TOLERANCES UNLESS OTHERWISE SPECIFIED:

.X = ±	.12	ANGLES	±2°
.XX = ±	.06	FRACTIONS	±1/32
.XXX = ±	.031		

REMOVE BURRS AND BREAK EDGES .005

DO NOT SCALE THIS PRINT



These drawings and specifications are the proprietary property of CommScope Inc. and may be used only for the specific purpose authorized in writing by CommScope Inc.

DRAWN BY: MJP

SHEET: 9 of 1

PART NUMBER: 760240957xx26x

CHECKED BY:

SCALE:

DESCRIPTION: METRO CELL, 30IN POLE CAB SOLUTION

DATE:

MATERIAL:

DRAWING TYPE:

REVISION: A

FINISH:

COMMSCOPE®

WEIGHT:

REMOVE BURRS AND BREAK EDGES .005

DO NOT SCALE THIS PRINT

4

3

2

1

D

D

C

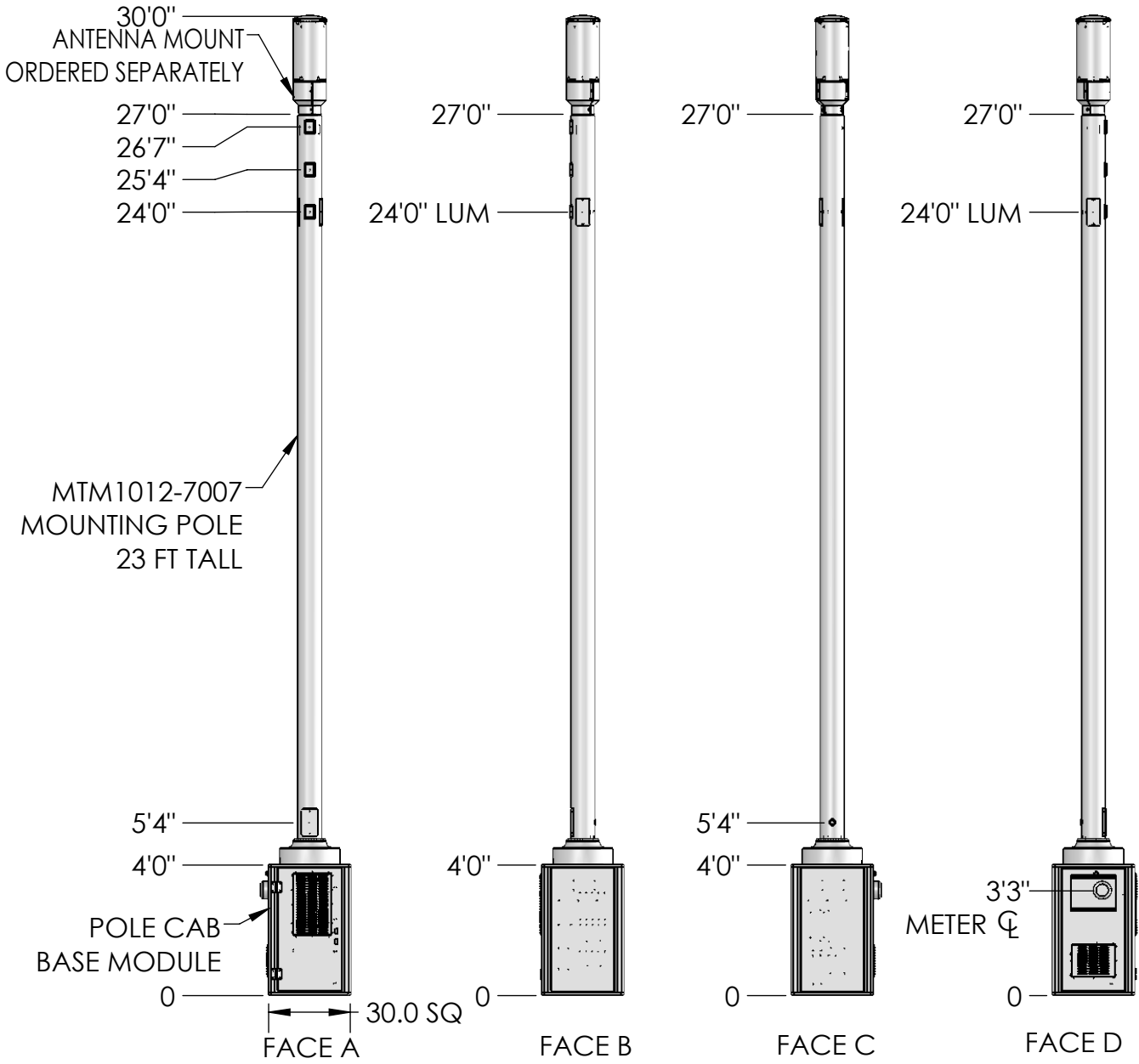
C

B

B

A

A



These drawings and specifications are the proprietary property of CommScope Inc. and may be used only for the specific purpose authorized in writing by CommScope Inc.

DRAWN BY:

MJP

SHEET:

10 of 1

PART NUMBER:

760240957xx27x

CHECKED BY:

SCALE:

DESCRIPTION:

METRO CELL, 30IN POLE CAB SOLUTION

DATE:

MATERIAL:

DRAWING TYPE:

REVISION:

FINISH:

COMMSCOPE®

A

WEIGHT:

ALL DIMENSIONS ARE IN INCHES U.O.S. TOLERANCES UNLESS OTHERWISE SPECIFIED:

.X = ±	.12	ANGLES	±2°
.XX = ±	.06	FRACTIONS	±1/32
.XXX = ±	.031		

REMOVE BURRS AND BREAK EDGES .005

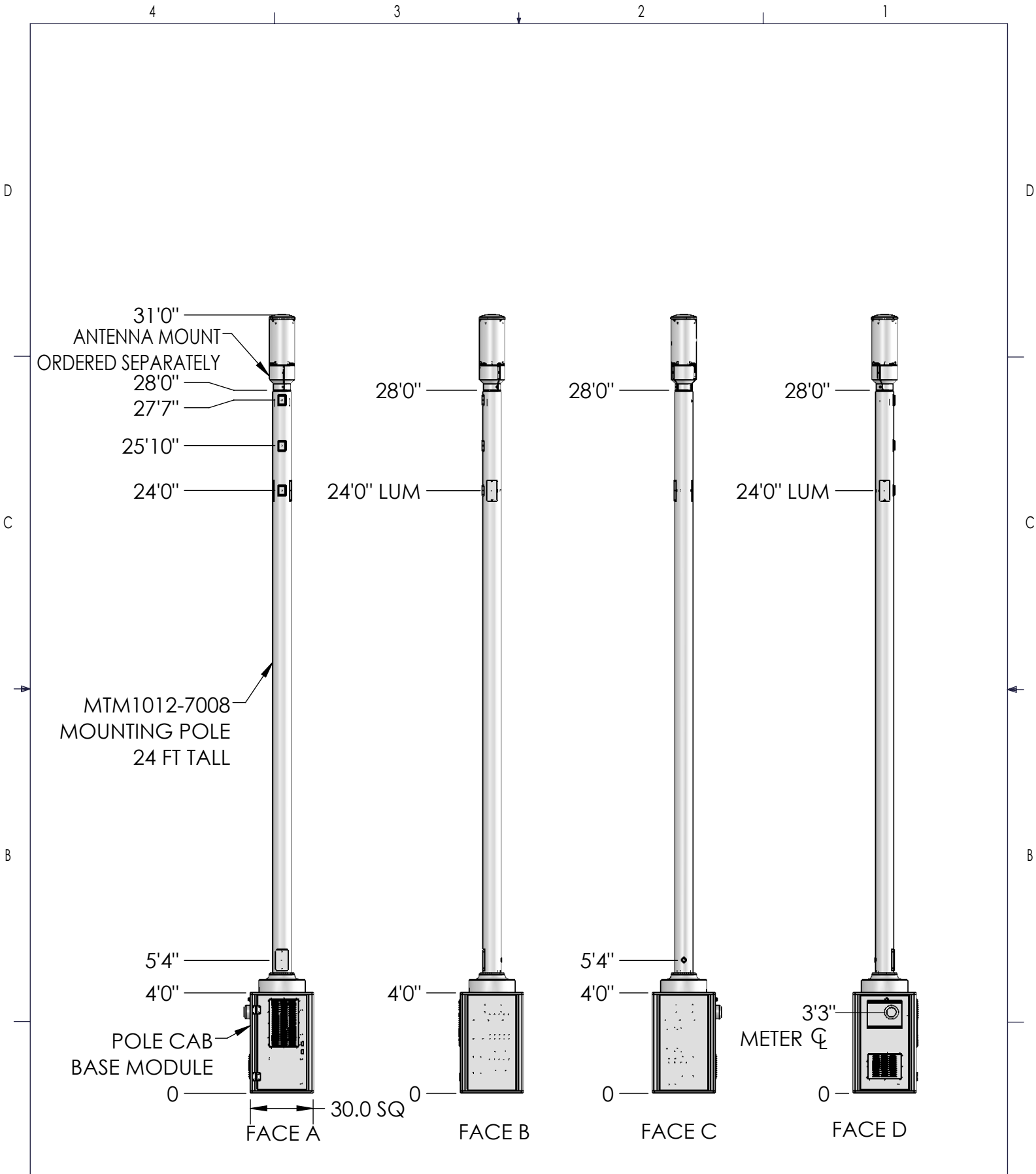
DO NOT SCALE THIS PRINT

4

3

2

1



<p>These drawings and specifications are the proprietary property of CommScope Inc. and may be used only for the specific purpose authorized in writing by CommScope Inc.</p> <p>ALL DIMENSIONS ARE IN INCHES U.O.S. TOLERANCES UNLESS OTHERWISE SPECIFIED:</p> <p>.X = ± .12 ANGLES ±2° .XX = ± .06 FRACTIONS ±1/32 .XXX = ± .031</p> <p>REMOVE BURRS AND BREAK EDGES .005</p> <p>DO NOT SCALE THIS PRINT</p>	<p>DRAWN BY: MJP</p>	<p>SHEET: 11 of 1</p>	<p>PART NUMBER: 760240957xx28x</p>
	<p>CHECKED BY:</p>	<p>SCALE:</p>	<p>DESCRIPTION: METRO CELL, 30IN POLE CAB SOLUTION</p>
	<p>DATE:</p>	<p>MATERIAL:</p>	<p>DRAWING TYPE:</p>
	<p>REVISION: A</p>	<p>FINISH:</p>	<p>WEIGHT:</p>

4

3

2

1

D

D

C

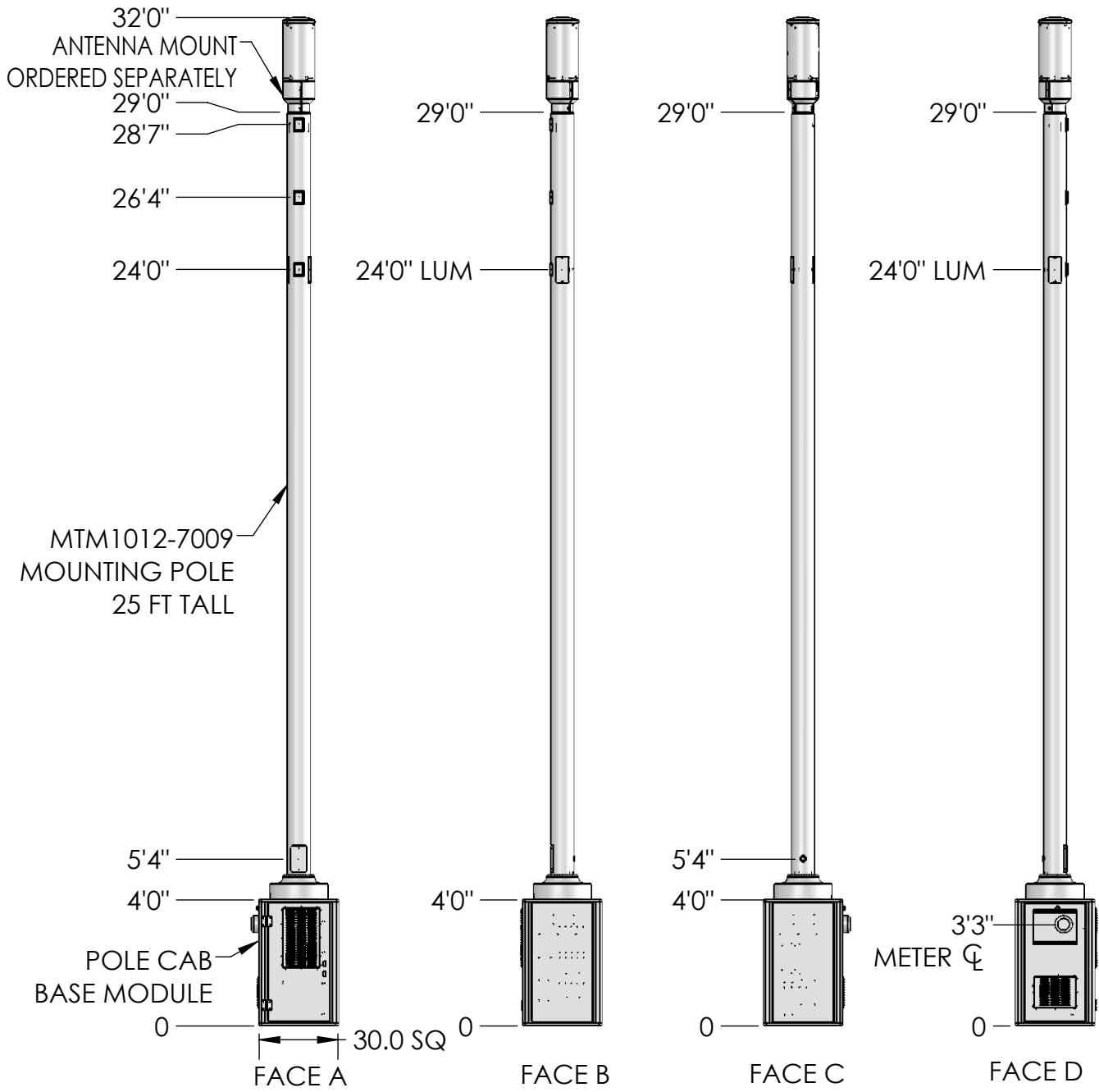
C

B

B

A

A



These drawings and specifications are the proprietary property of CommScope Inc. and may be used only for the specific purpose authorized in writing by CommScope Inc.

DRAWN BY: MJP

SHEET: 12 of 1

PART NUMBER: 760240957xx29x

CHECKED BY:

SCALE:

DESCRIPTION: METRO CELL, 30IN POLE CAB SOLUTION

DATE:

MATERIAL:

DRAWING TYPE:

REVISION: A

FINISH:

COMMSCOPE®

WEIGHT:

ALL DIMENSIONS ARE IN INCHES U.O.S.
TOLERANCES UNLESS OTHERWISE SPECIFIED:
.X = ± .12 ANGLES ±2°
.XX = ± .06 FRACTIONS ±1/32
.XXX = ± .031

REMOVE BURRS AND BREAK EDGES .005

DO NOT SCALE THIS PRINT

4

3

2

1

4

3

2

1

D

D

C

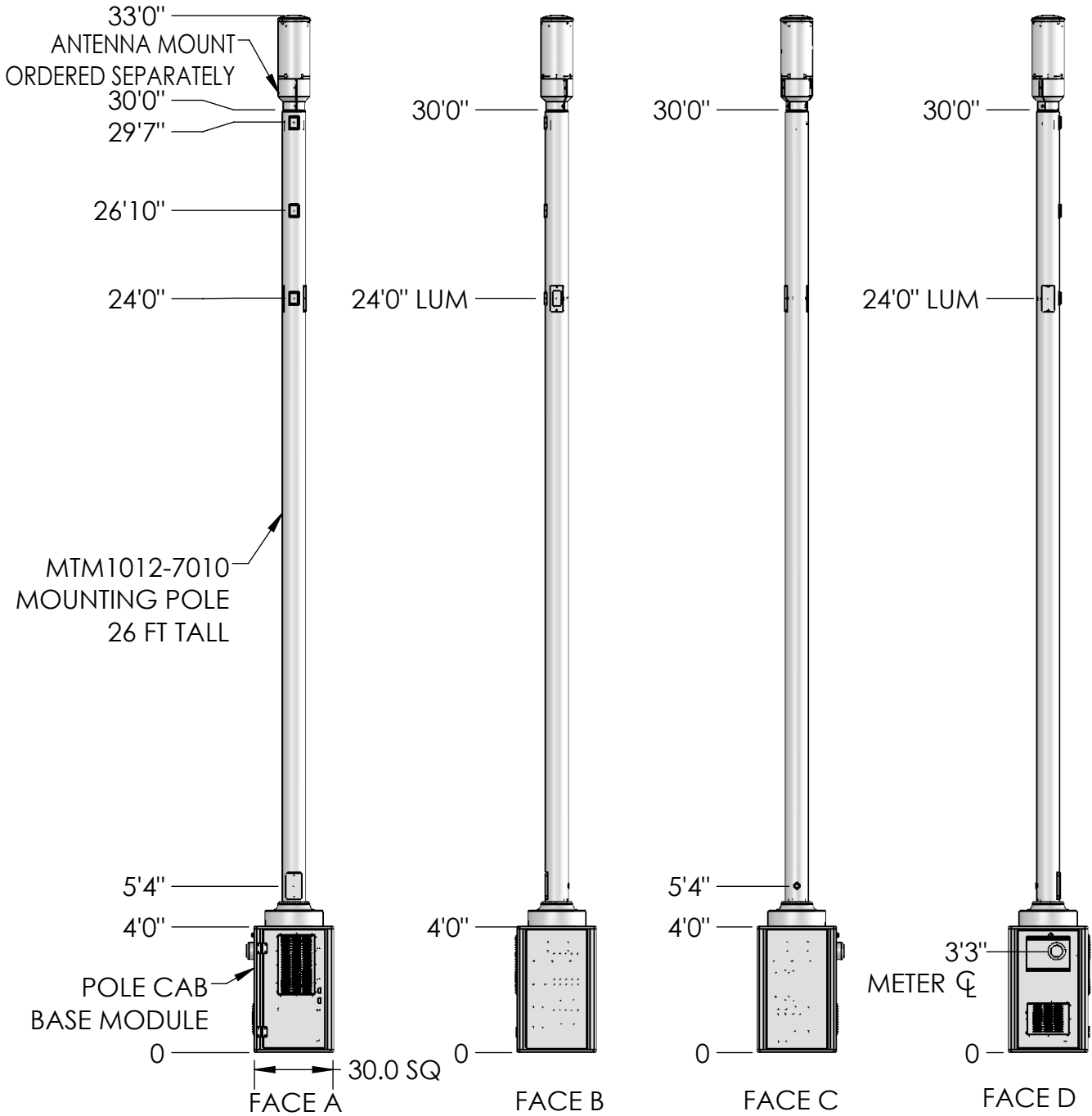
C

B

B

A

A



These drawings and specifications are the proprietary property of CommScope Inc. and may be used only for the specific purpose authorized in writing by CommScope Inc.

DRAWN BY: MJP	SHEET: 13 of 1	PART NUMBER: 760240957xx30x
CHECKED BY:	SCALE:	DESCRIPTION: METRO CELL, 30IN POLE CAB SOLUTION
DATE:	MATERIAL:	DRAWING TYPE:
REVISION: A	FINISH:	
	WEIGHT:	

ALL DIMENSIONS ARE IN INCHES U.O.S.
TOLERANCES UNLESS OTHERWISE SPECIFIED:

.X = ±	.12	ANGLES	±2°
.XX = ±	.06	FRACTIONS	±1/32
.XXX = ±	.031		

REMOVE BURRS AND BREAK EDGES .005

DO NOT SCALE THIS PRINT

4

3

2

1

4

3

2

1

D

D

33'0" — ANTENNA MOUNT
 ORDERED SEPARATELY
 30'0" —
 29'7" —
 29'0" —
 26'10" —

30'0" —
 29'0" LUM —

30'0" —

30'0" —
 29'0" LUM —

MTM1012-7019
 MOUNTING POLE
 26 FT TALL

5'4" —
 4'0" —
 POLE CAB
 BASE MODULE

4'0" —

5'4" —
 4'0" —

3'3" —
 METER \varnothing

0 —
 30.0 SQ
 FACE A

FACE B

FACE C

FACE D

C

C

B

B

A

A

These drawings and specifications are the proprietary property of CommScope Inc. and may be used only for the specific purpose authorized in writing by CommScope Inc.

DRAWN BY:
MJP

SHEET:
14 of 1

PART NUMBER:
760240957xx30x-2

CHECKED BY:

SCALE:

DESCRIPTION:
METRO CELL, 30IN POLE CAB SOLUTION

DATE:

MATERIAL:

DRAWING TYPE:

ALL DIMENSIONS ARE IN INCHES U.O.S.
 TOLERANCES UNLESS OTHERWISE SPECIFIED:

.X = ± .12 ANGLES ±2°
 .XX = ± .06 FRACTIONS ±1/32
 .XXX = ± .031

REMOVE BURRS AND BREAK EDGES .005

REVISION:
A

FINISH:

WEIGHT:

COMMSCOPE®

DO NOT SCALE THIS PRINT

4

3

2

1

4

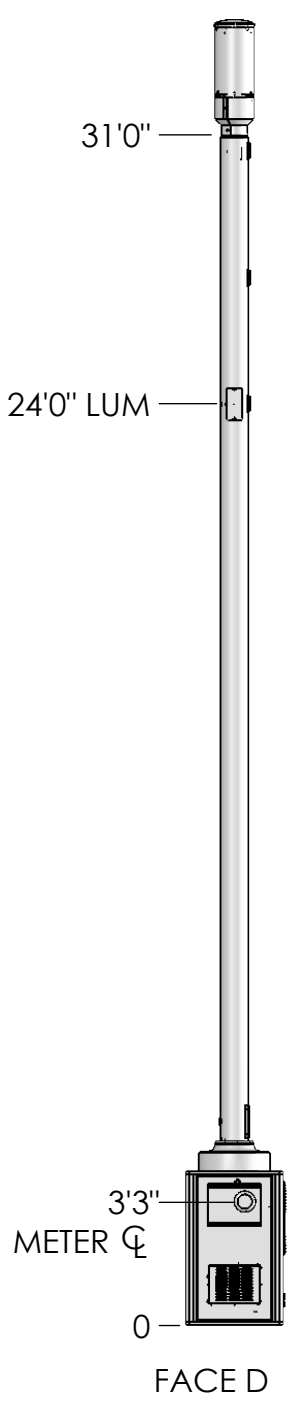
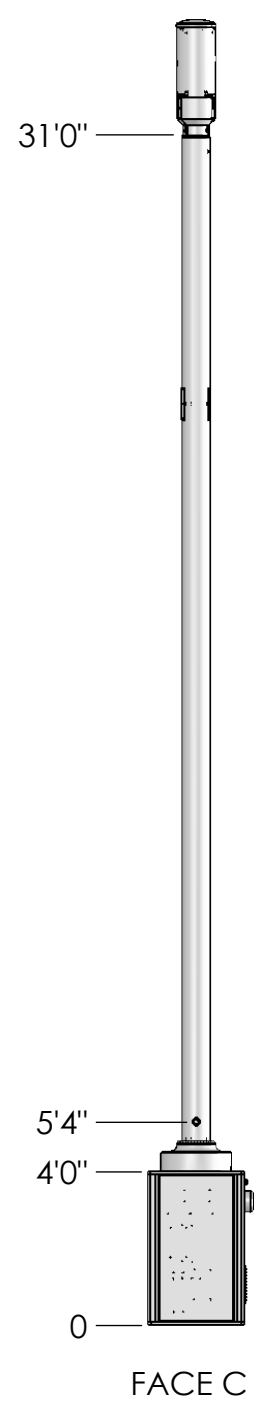
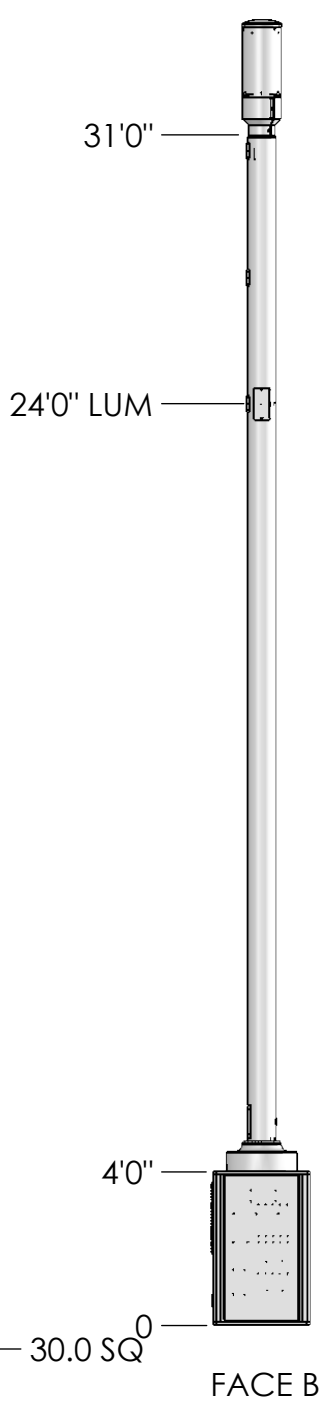
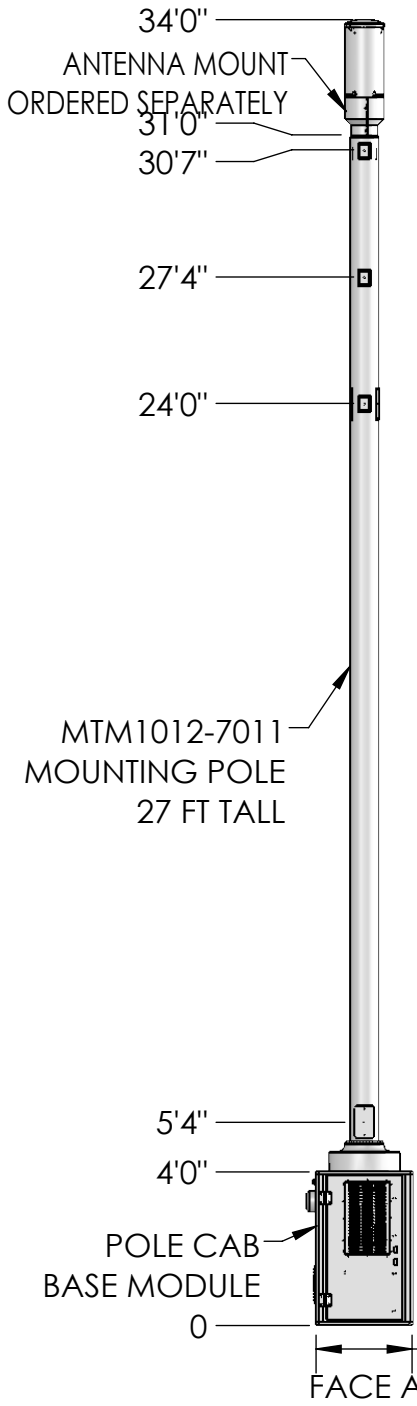
3

2

1

D

D



C

C

B

B

A

A

These drawings and specifications are the proprietary property of CommScope Inc. and may be used only for the specific purpose authorized in writing by CommScope Inc.

DRAWN BY: MJP

SHEET: 15 of 1

PART NUMBER: 760240957xx31x

CHECKED BY:

SCALE:

DESCRIPTION: METRO CELL, 30IN POLE CAB SOLUTION

DATE:

MATERIAL:

DRAWING TYPE:

REVISION: A

FINISH:

WEIGHT:



ALL DIMENSIONS ARE IN INCHES U.O.S. TOLERANCES UNLESS OTHERWISE SPECIFIED:

.X = ± .12 ANGLES ±2°
 .XX = ± .06 FRACTIONS ±1/32
 .XXX = ± .031

REMOVE BURRS AND BREAK EDGES .005

DO NOT SCALE THIS PRINT

4

3

2

1

4

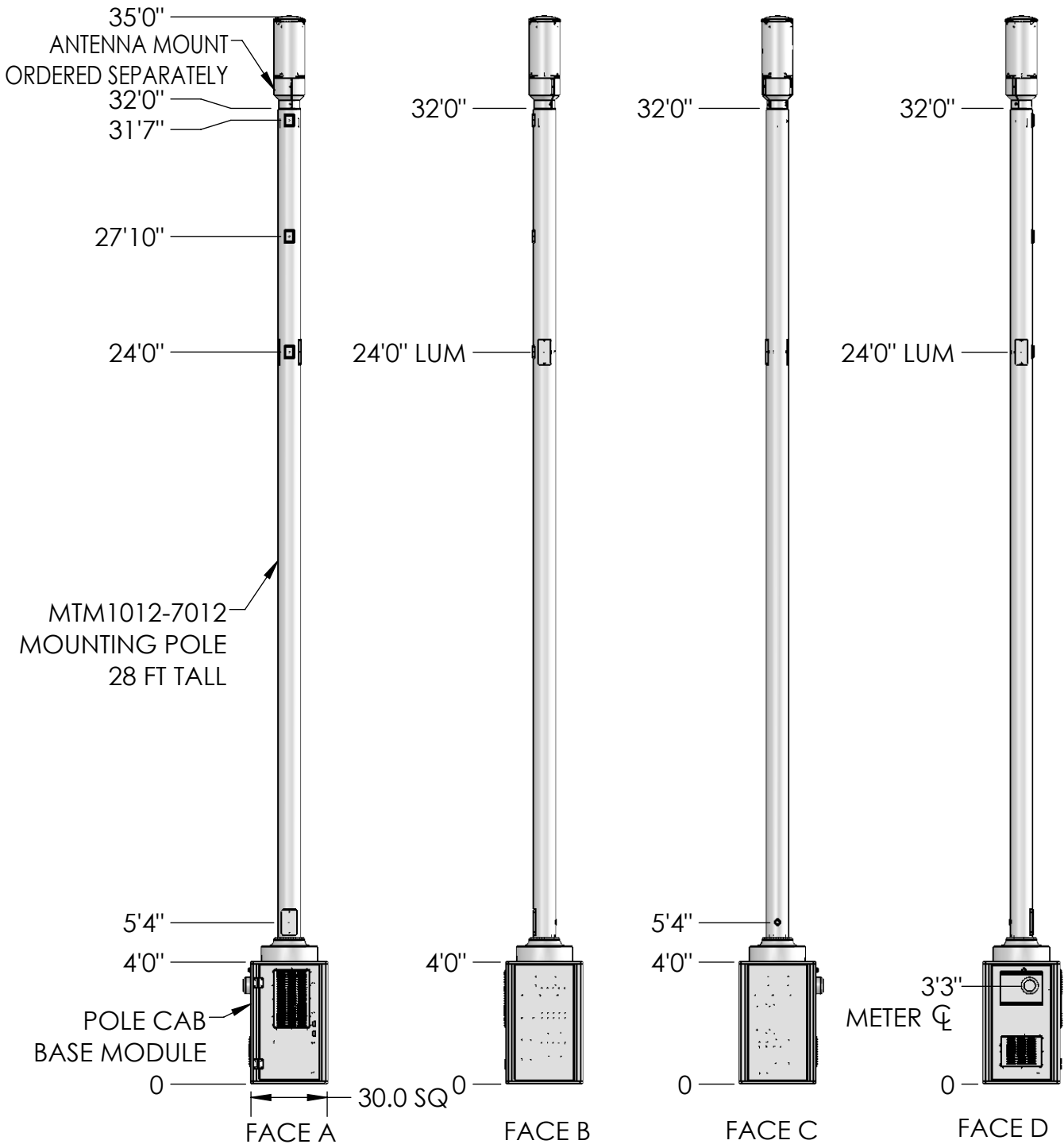
3

2

1

D

D



C

C

B

B

A

A

These drawings and specifications are the proprietary property of CommScope Inc. and may be used only for the specific purpose authorized in writing by CommScope Inc.

DRAWN BY: MJP
CHECKED BY:
DATE:

SHEET: 16 of 1
SCALE:

PART NUMBER: 760240957xx32x
DESCRIPTION: METRO CELL, 30IN POLE CAB SOLUTION

ALL DIMENSIONS ARE IN INCHES U.O.S.
TOLERANCES UNLESS OTHERWISE SPECIFIED:
.X = ± .12 ANGLES ±2°
.XX = ± .06 FRACTIONS ±1/32
.XXX = ± .031

REVISION: A
FINISH:
WEIGHT:

DRAWING TYPE:

REMOVE BURRS AND BREAK EDGES .005



DO NOT SCALE THIS PRINT

4

3

2

1

4

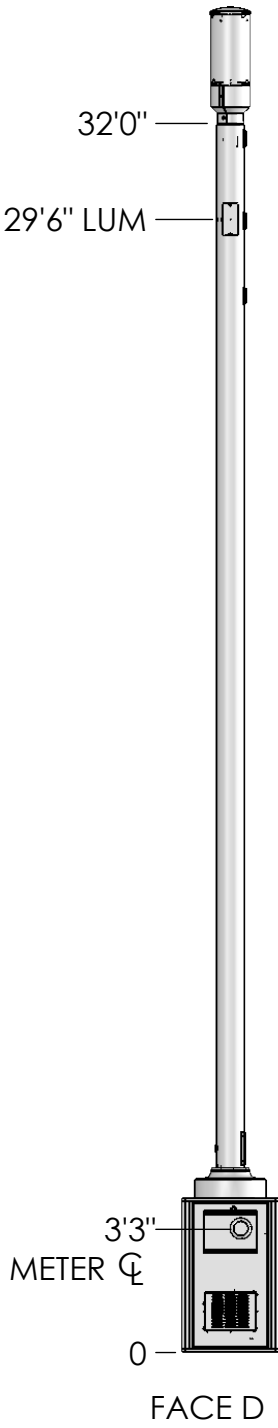
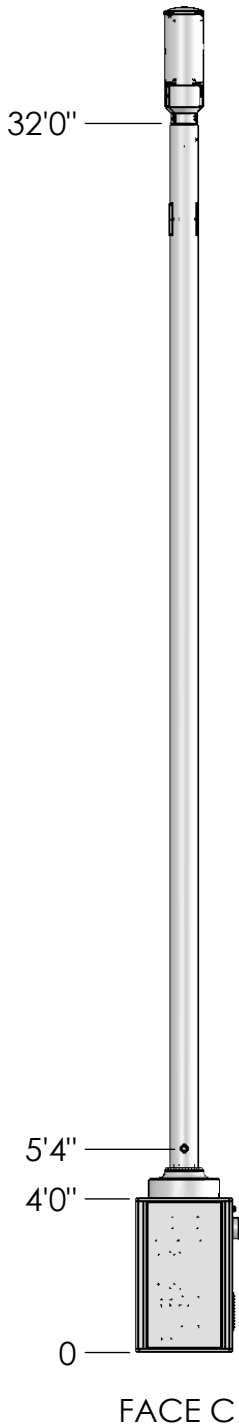
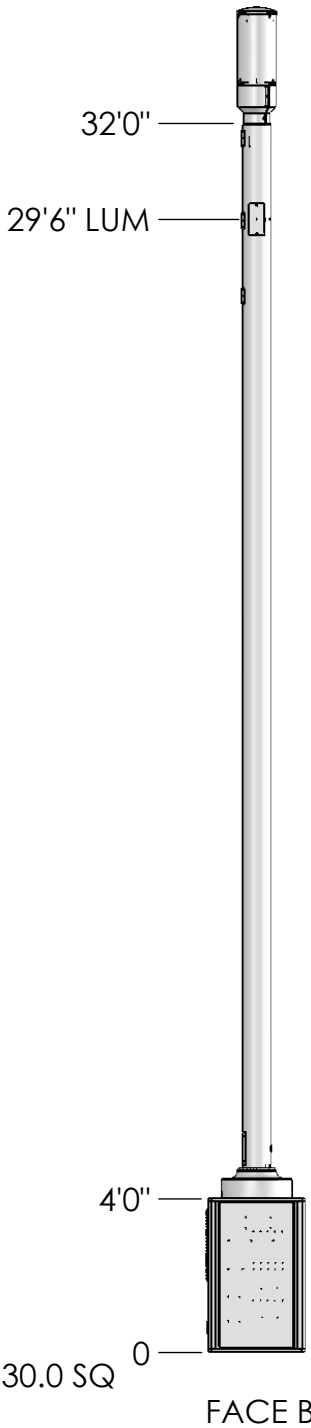
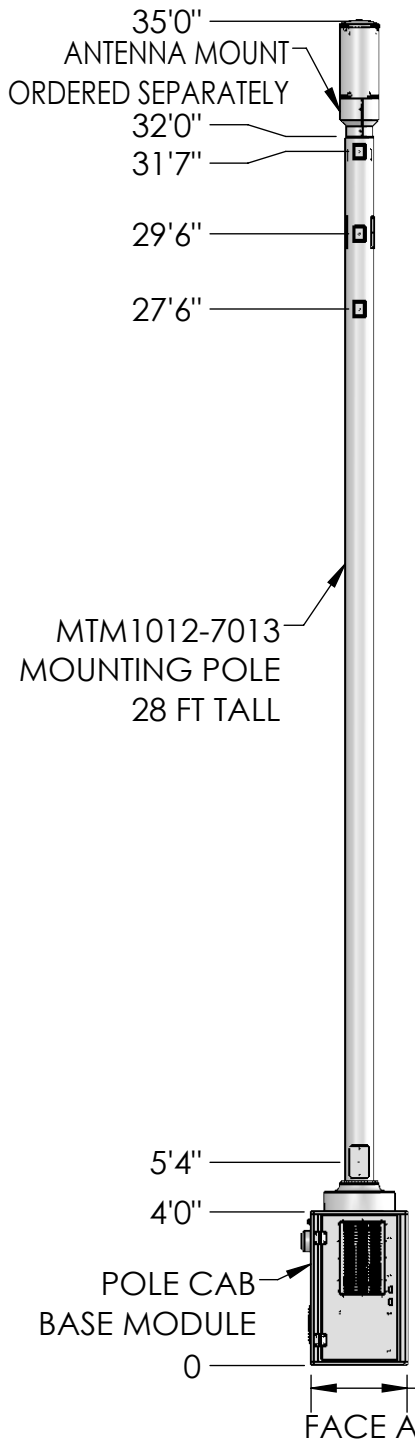
3

2

1

D

D



C

C

B

B

A

A

These drawings and specifications are the proprietary property of CommScope Inc. and may be used only for the specific purpose authorized in writing by CommScope Inc.

DRAWN BY: MJP

SHEET: 17 of 1

PART NUMBER: 760240957xx32x-2

CHECKED BY:

SCALE:

DESCRIPTION: METRO CELL, 30IN POLE CAB SOLUTION

DATE:

MATERIAL:

DRAWING TYPE:

REVISION: A

FINISH:

WEIGHT:

COMMSCOPE®

ALL DIMENSIONS ARE IN INCHES U.O.S.
TOLERANCES UNLESS OTHERWISE SPECIFIED:

.X = ±	.12	ANGLES	±2°
.XX = ±	.06	FRACTIONS	±1/32
.XXX = ±	.031		

REMOVE BURRS AND BREAK EDGES .005

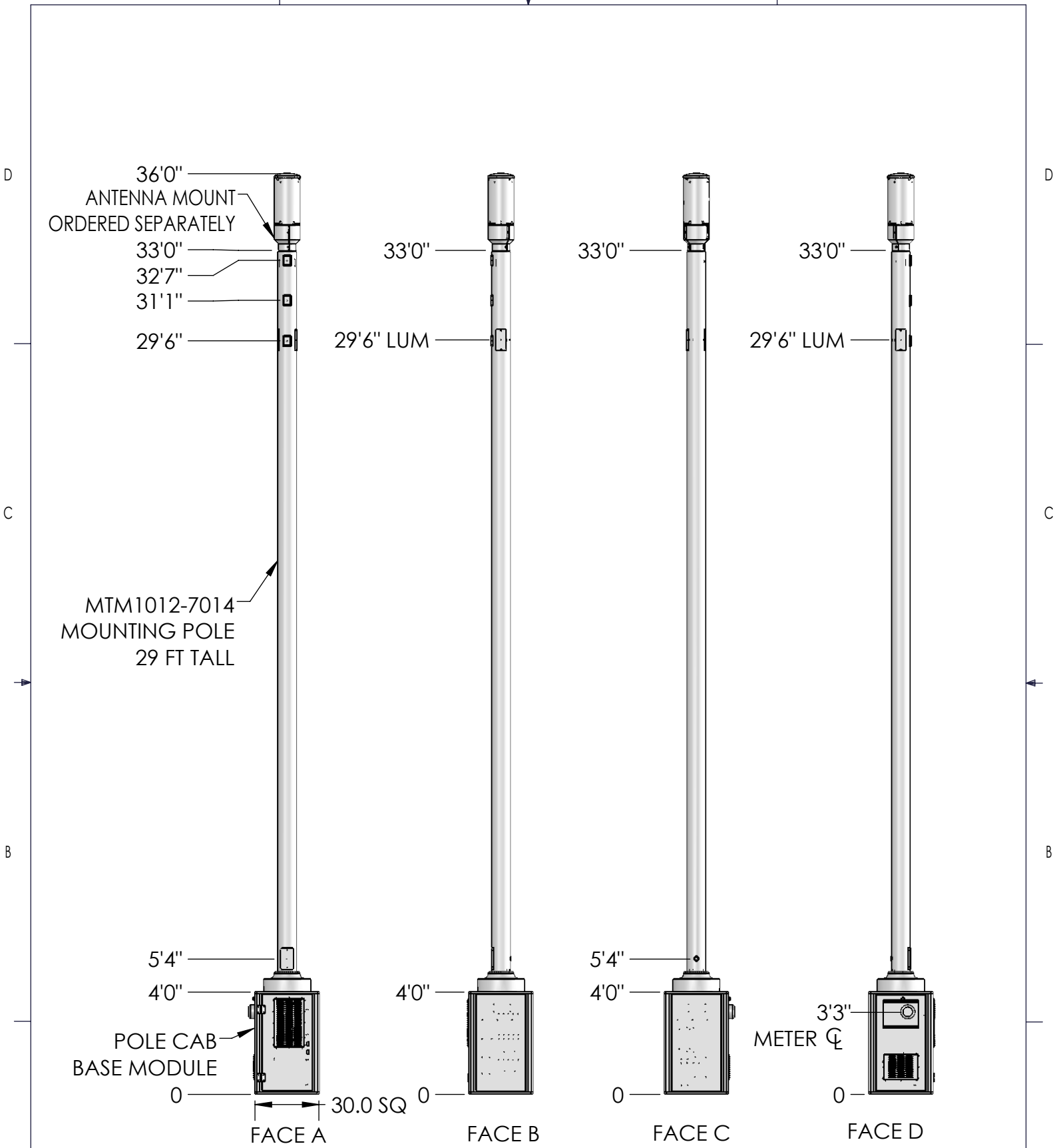
DO NOT SCALE THIS PRINT

4

3

2

1



These drawings and specifications are the proprietary property of CommScope Inc. and may be used only for the specific purpose authorized in writing by CommScope Inc.

ALL DIMENSIONS ARE IN INCHES U.O.S.
TOLERANCES UNLESS OTHERWISE SPECIFIED:

.X = ±	.12	ANGLES	±2°
.XX = ±	.06	FRACTIONS	±1/32
.XXX = ±	.031		

REMOVE BURRS AND BREAK EDGES .005

DO NOT SCALE THIS PRINT

DRAWN BY: MJP

CHECKED BY:

DATE:

REVISION: A

SHEET: 18 of 1

SCALE:

MATERIAL:

FINISH:

WEIGHT:

PART NUMBER: 760240957xx33x

DESCRIPTION: METRO CELL, 40IN POLE CAB SOLUTION

DRAWING TYPE:



4

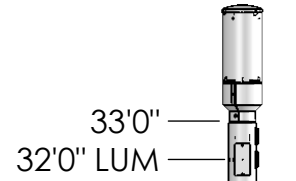
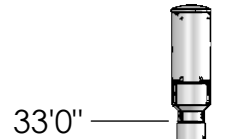
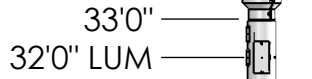
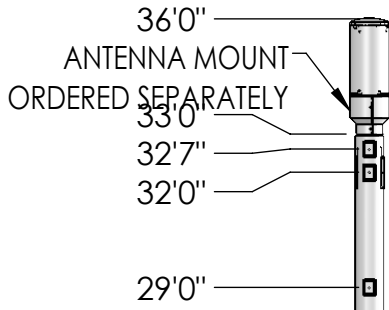
3

2

1

D

D



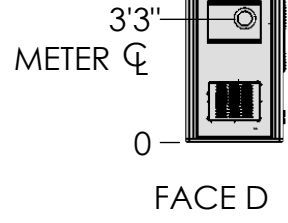
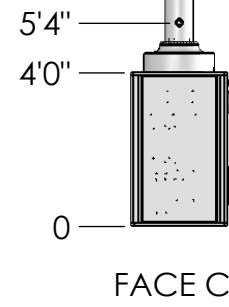
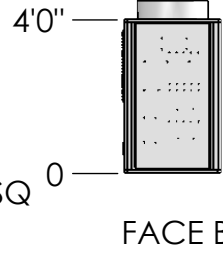
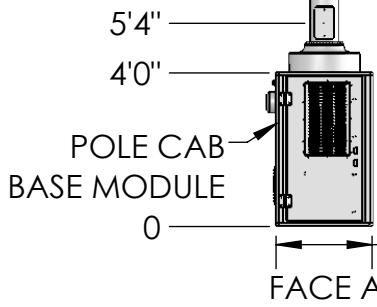
MTM1012-7020
MOUNTING POLE
29 FT TALL

C

C

B

B



A

A

These drawings and specifications are the proprietary property of CommScope Inc. and may be used only for the specific purpose authorized in writing by CommScope Inc.

DRAWN BY: MJP	SHEET: 19 of 1	PART NUMBER: 760240957xx33x-2
CHECKED BY:	SCALE:	DESCRIPTION: METRO CELL, 30IN POLE CAB SOLUTION
DATE:	MATERIAL:	DRAWING TYPE:
REVISION: A	FINISH:	
	WEIGHT:	

ALL DIMENSIONS ARE IN INCHES U.O.S.
TOLERANCES UNLESS OTHERWISE SPECIFIED:
.X = ± .12 ANGLES ±2°
.XX = ± .06 FRACTIONS ±1/32
.XXX = ± .031

REMOVE BURRS AND BREAK EDGES .005

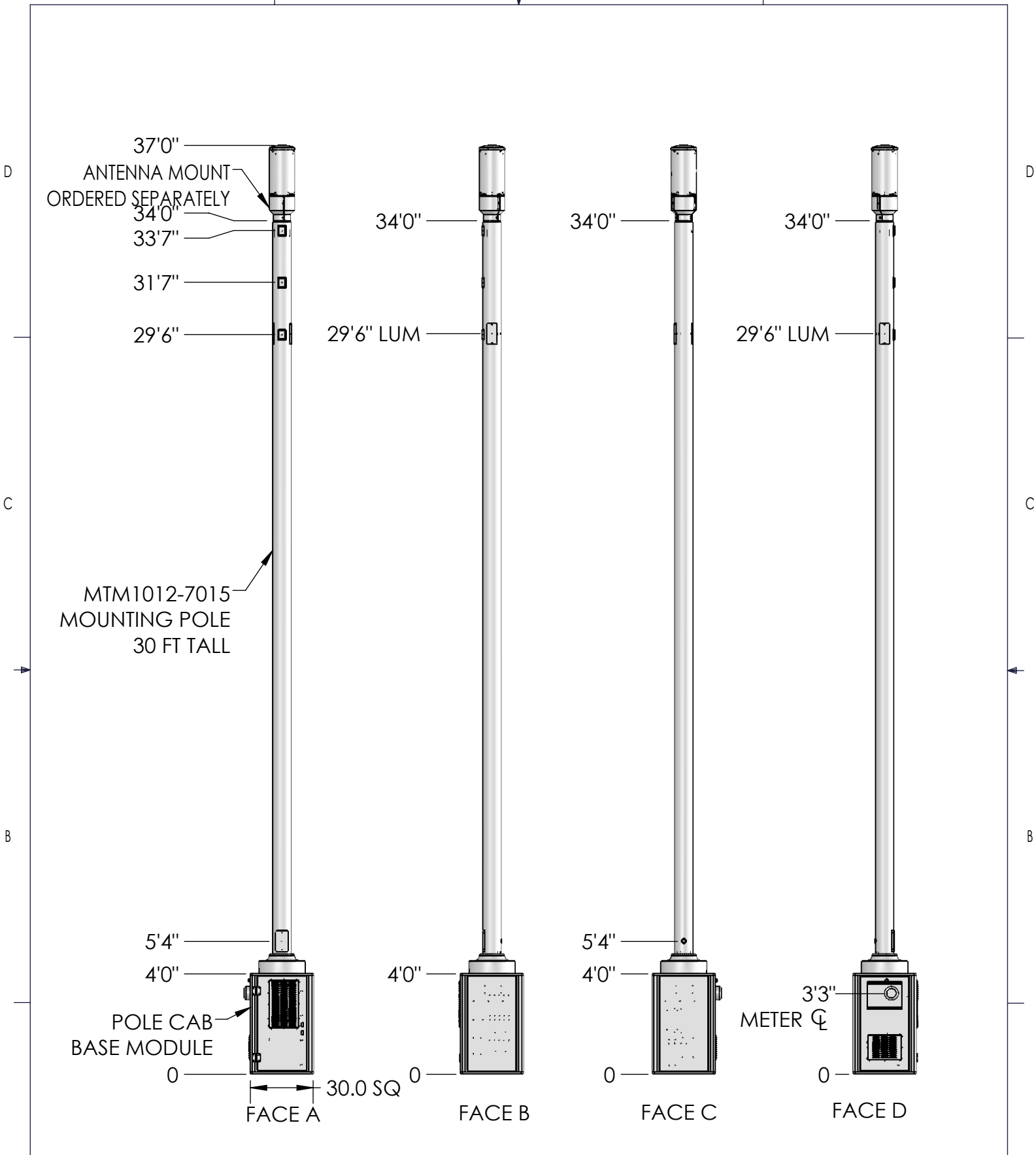
DO NOT SCALE THIS PRINT

4

3

2

1



These drawings and specifications are the proprietary property of CommScope Inc. and may be used only for the specific purpose authorized in writing by CommScope Inc.

DRAWN BY: MJP	SHEET: 20 of 1
CHECKED BY:	SCALE:
DATE:	MATERIAL:
REVISION: A	FINISH: WEIGHT:

PART NUMBER:
760240957xx34x

DESCRIPTION:
METRO CELL, 30IN POLE CAB SOLUTION

DRAWING TYPE:

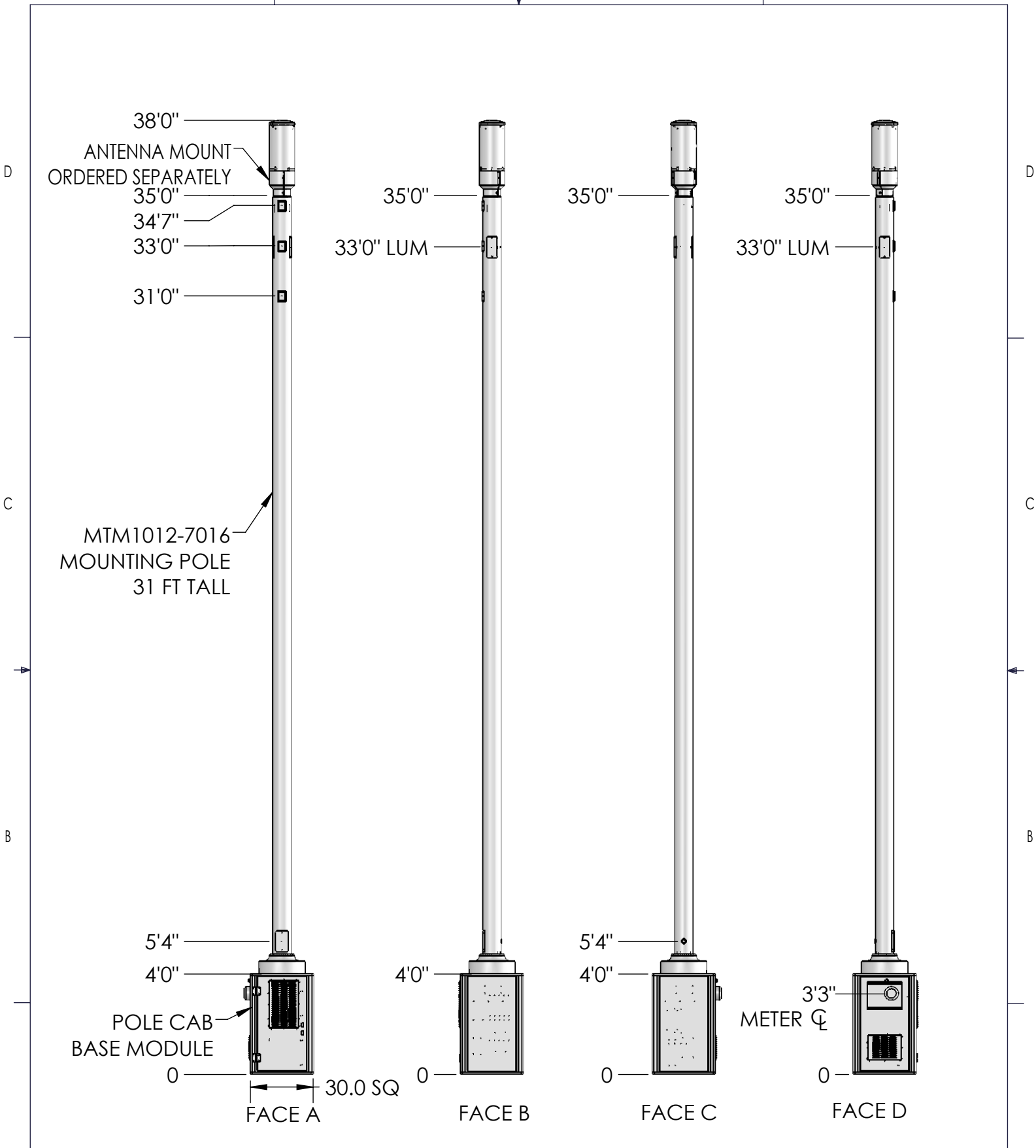
ALL DIMENSIONS ARE IN INCHES U.O.S.
TOLERANCES UNLESS OTHERWISE SPECIFIED:

.X = ±	.12	ANGLES	±2°
.XX = ±	.06	FRACTIONS	±1/32
.XXX = ±	.031		

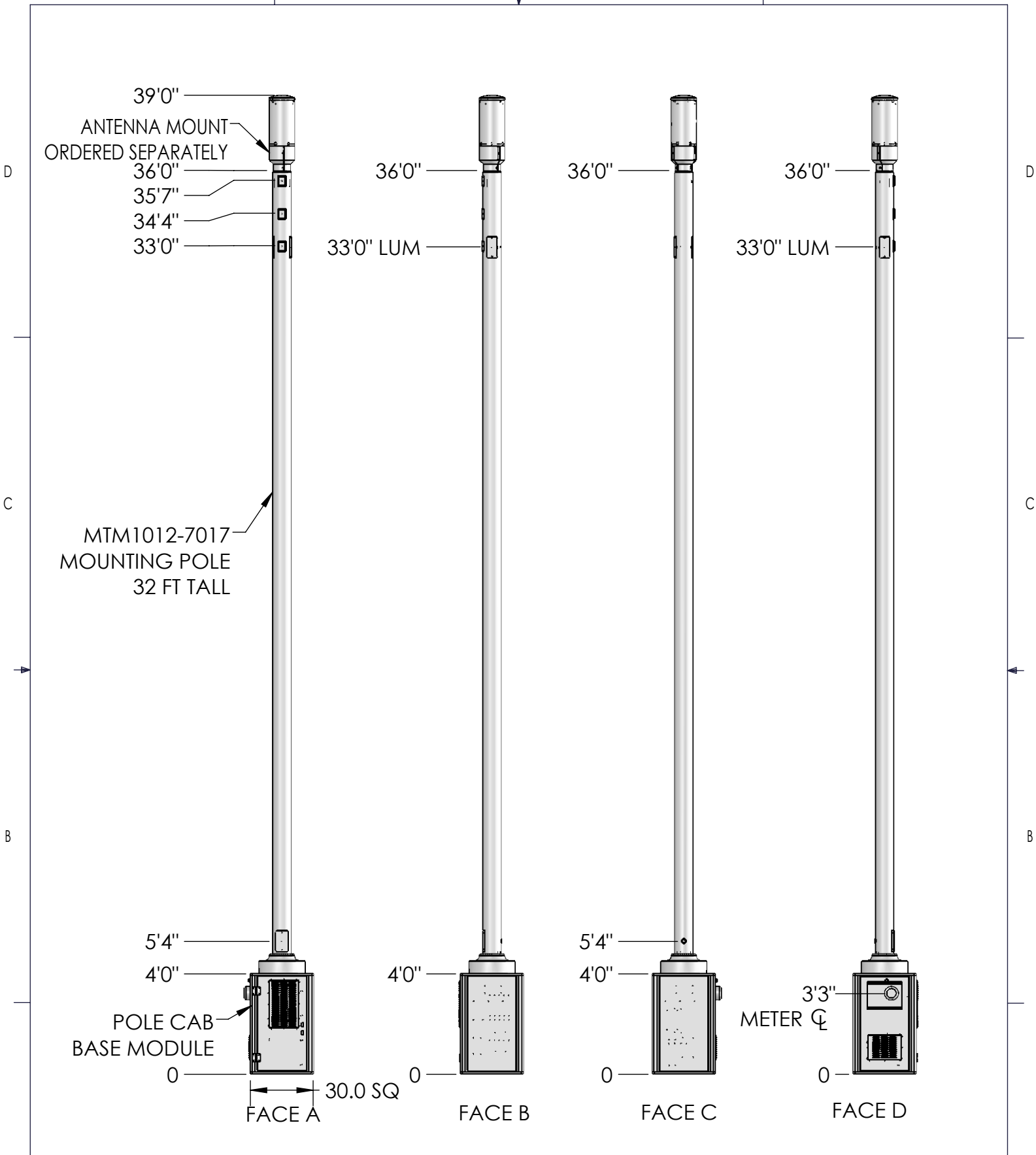
REMOVE BURRS AND BREAK EDGES .005

DO NOT SCALE THIS PRINT





<p>These drawings and specifications are the proprietary property of CommScope Inc. and may be used only for the specific purpose authorized in writing by CommScope Inc.</p> <p>ALL DIMENSIONS ARE IN INCHES U.O.S. TOLERANCES UNLESS OTHERWISE SPECIFIED:</p> <p>.X = ± .12 ANGLES ±2°</p> <p>.XX = ± .06 FRACTIONS ±1/32</p> <p>.XXX = ± .031</p> <p>REMOVE BURRS AND BREAK EDGES .005</p> <p>DO NOT SCALE THIS PRINT</p>	<p>DRAWN BY: MJP</p>	<p>SHEET: 21 of 1</p>	<p>PART NUMBER: 760240957xx35x</p>
	<p>CHECKED BY:</p>	<p>SCALE:</p>	<p>DESCRIPTION: METRO CELL, 30IN POLE CAB SOLUTION</p>
	<p>DATE:</p>	<p>MATERIAL:</p>	<p>DRAWING TYPE:</p>
	<p>REVISION: A</p>	<p>FINISH:</p>	<p>WEIGHT:</p>



<p>These drawings and specifications are the proprietary property of CommScope Inc. and may be used only for the specific purpose authorized in writing by CommScope Inc.</p> <p>ALL DIMENSIONS ARE IN INCHES U.O.S. TOLERANCES UNLESS OTHERWISE SPECIFIED:</p> <p>.X = ± .12 ANGLES ±2°</p> <p>.XX = ± .06 FRACTIONS ±1/32</p> <p>.XXX = ± .031</p> <p>REMOVE BURRS AND BREAK EDGES .005</p> <p>DO NOT SCALE THIS PRINT</p>	<p>DRAWN BY: MJP</p>	<p>SHEET: 22 of 1</p>	<p>PART NUMBER: 760240957xx36x</p>
	<p>CHECKED BY:</p>	<p>SCALE:</p>	<p>DESCRIPTION: METRO CELL, 30IN POLE CAB SOLUTION</p>
	<p>DATE:</p>	<p>MATERIAL:</p>	<p>DRAWING TYPE:</p>
	<p>REVISION: A</p>	<p>FINISH:</p>	<p>WEIGHT:</p>

4

3

2

1

D

D

C

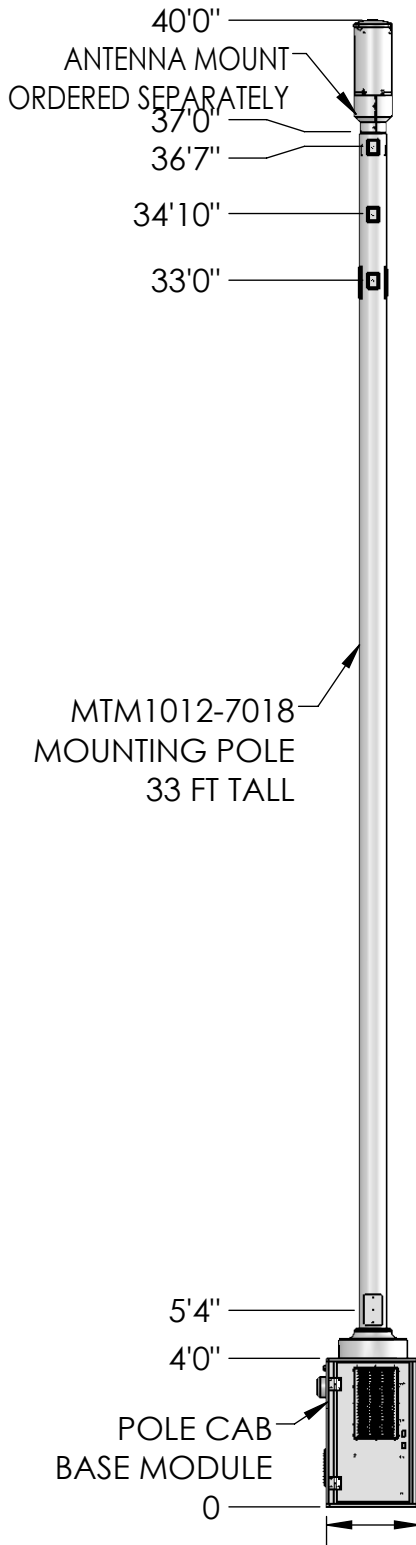
C

B

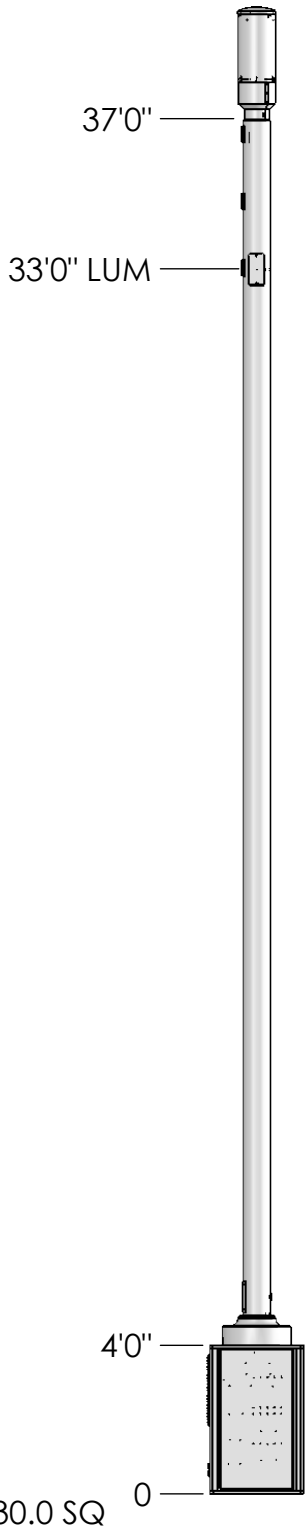
B

A

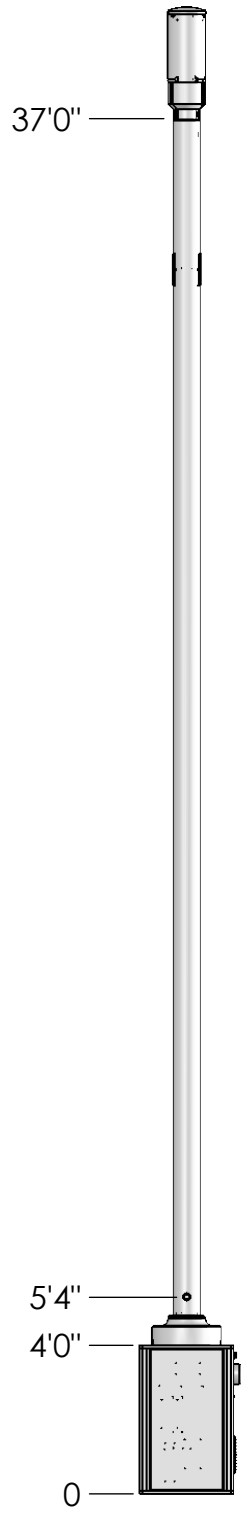
A



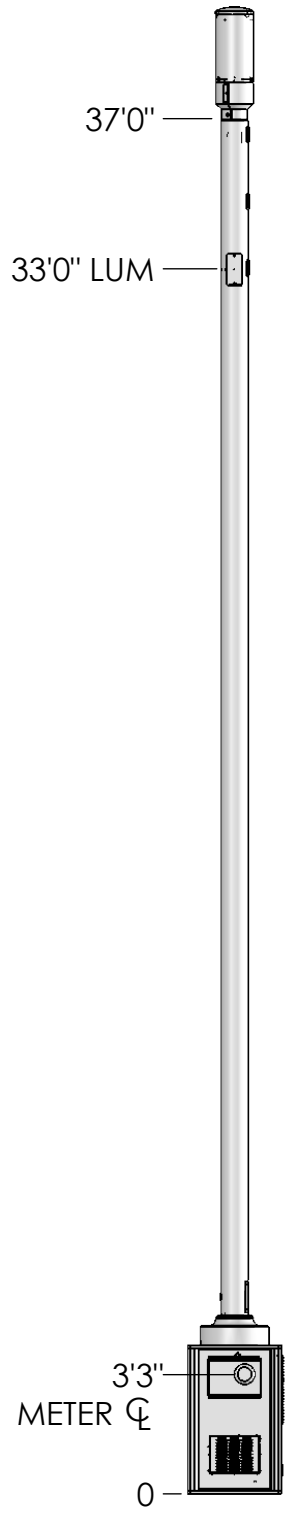
FACE A



FACE B



FACE C



FACE D

These drawings and specifications are the proprietary property of CommScope Inc. and may be used only for the specific purpose authorized in writing by CommScope Inc.

DRAWN BY:
MJP

SHEET:
23 of 1

PART NUMBER:
760240957xx37x

CHECKED BY:

SCALE:

DESCRIPTION:
METRO CELL, 30IN POLE CAB SOLUTION

DATE:

MATERIAL:

DRAWING TYPE:

REVISION:

FINISH:

COMMSCOPE®

WEIGHT:

ALL DIMENSIONS ARE IN INCHES U.O.S.
TOLERANCES UNLESS OTHERWISE SPECIFIED:
.X = ± .12 ANGLES ±2°
.XX = ± .06 FRACTIONS ±1/32
.XXX = ± .031

REMOVE BURRS AND BREAK EDGES .005

DO NOT SCALE THIS PRINT

4

3

2

1

4

3

2

1

D

D

C

C

B

B

A

A

46'6"
 ANTENNA MOUNT
 ORDERED SEPARATELY
 43'6"
 43'1"

43'6"

43'6"

43'6"

33'7"

24'0"

24'0" LUM

24'0" LUM

MTM1012-7022
 MOUNTING POLE
 39.5 FT TALL

5'4"

4'0"

4'0"

5'4"

4'0"

3'3"
 METER \varnothing

POLE CAB
 BASE MODULE

30.0 SQ

FACE A

FACE B

FACE C

FACE D

These drawings and specifications are the proprietary property
 of Commscope Inc. and may be used only for the specific
 purpose authorized in writing by Commscope Inc.

DRAWN BY: MJP

SHEET: 24 of 1

PART NUMBER: 760240957xx44x

CHECKED BY:

SCALE:

DESCRIPTION: METRO CELL, 30IN POLE CAB SOLUTION

DATE:

MATERIAL:

DRAWING TYPE:

REVISION: A

FINISH:

WEIGHT:

COMMSCOPE®

ALL DIMENSIONS ARE IN INCHES U.O.S.
 TOLERANCES UNLESS OTHERWISE SPECIFIED:
 .X = ± .12 ANGLES ±2°
 .XX = ± .06 FRACTIONS ±1/32
 .XXX = ± .031

REMOVE BURRS AND BREAK EDGES .005

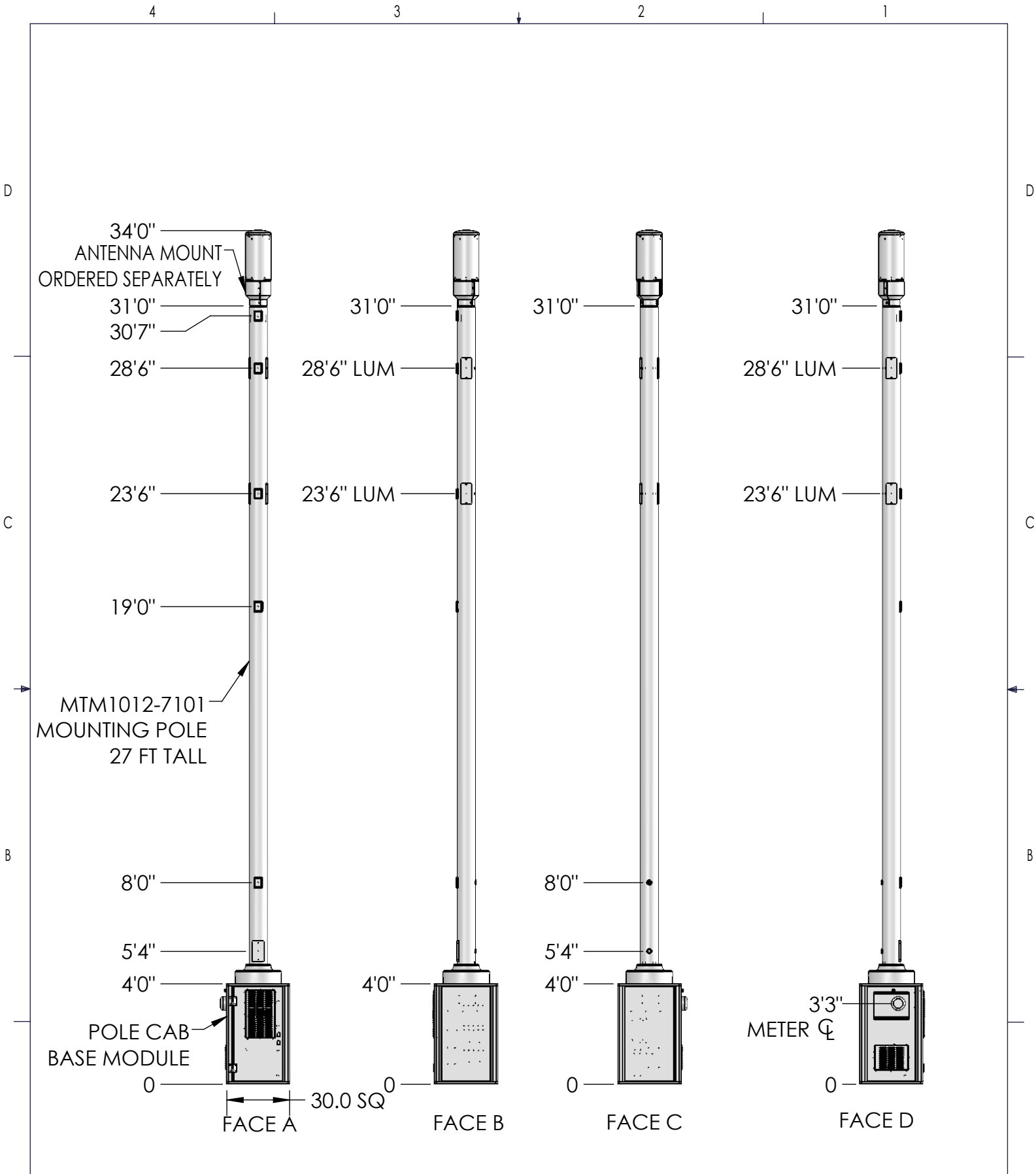
DO NOT SCALE THIS PRINT

4

3

2

1



These drawings and specifications are the proprietary property of Commscope Inc. and may be used only for the specific purpose authorized in writing by Commscope Inc.

DRAWN BY: MJP	SHEET: 25 of 1	PART NUMBER: 760240957xx31x ALT POLE
CHECKED BY:	SCALE:	DESCRIPTION: METRO CELL, 30IN POLE CAB SOLUTION
DATE:	MATERIAL:	DRAWING TYPE:
REVISION: A	FINISH:	
	WEIGHT:	

ALL DIMENSIONS ARE IN INCHES U.O.S.
TOLERANCES UNLESS OTHERWISE SPECIFIED:

.X = ±	.12	ANGLES	±2°
.XX = ±	.06	FRACTIONS	±1/32
.XXX = ±	.031		

REMOVE BURRS AND BREAK EDGES .005

DO NOT SCALE THIS PRINT

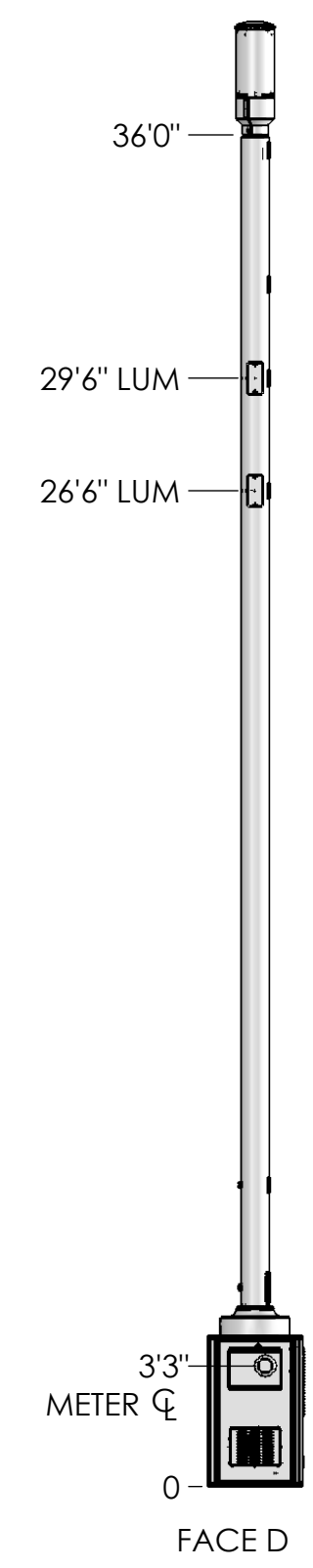
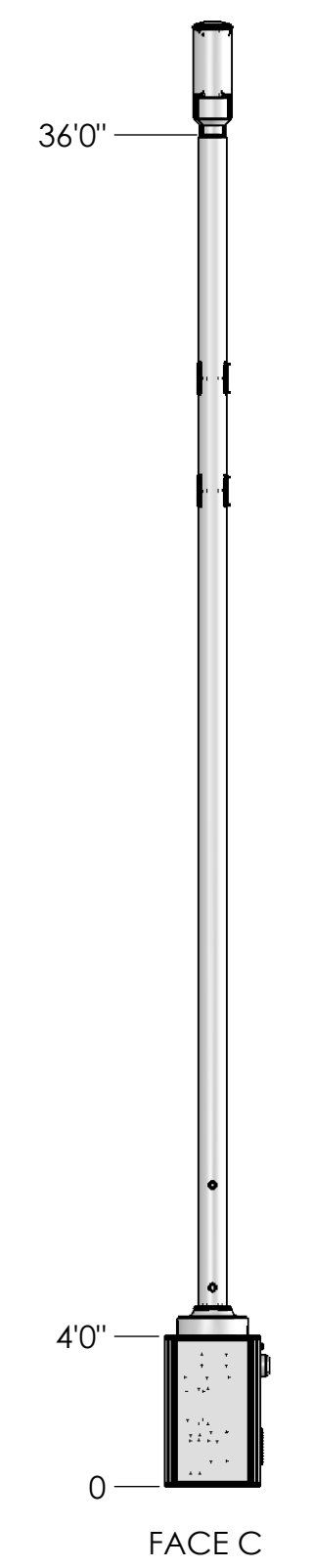
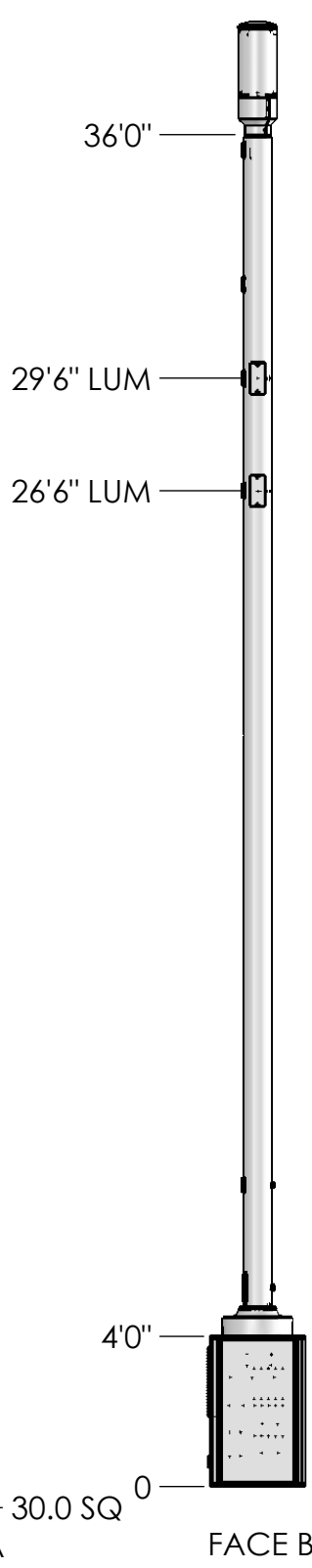
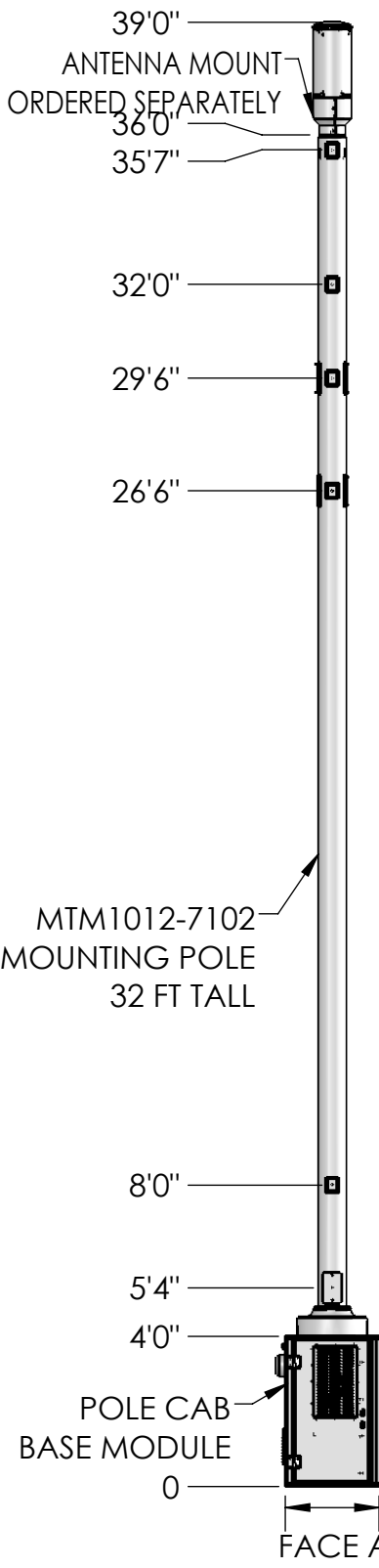
4 3 2 1

D

C

B

A



30.0 SQ

These drawings and specifications are the proprietary property of CommScope Inc. and may be used only for the specific purpose authorized in writing by CommScope Inc.

ALL DIMENSIONS ARE IN INCHES U.O.S.
TOLERANCES UNLESS OTHERWISE SPECIFIED:

.X = ±	.12	ANGLES	±2°
.XX = ±	.06	FRACTIONS	±1/32
.XXX = ±	.031		

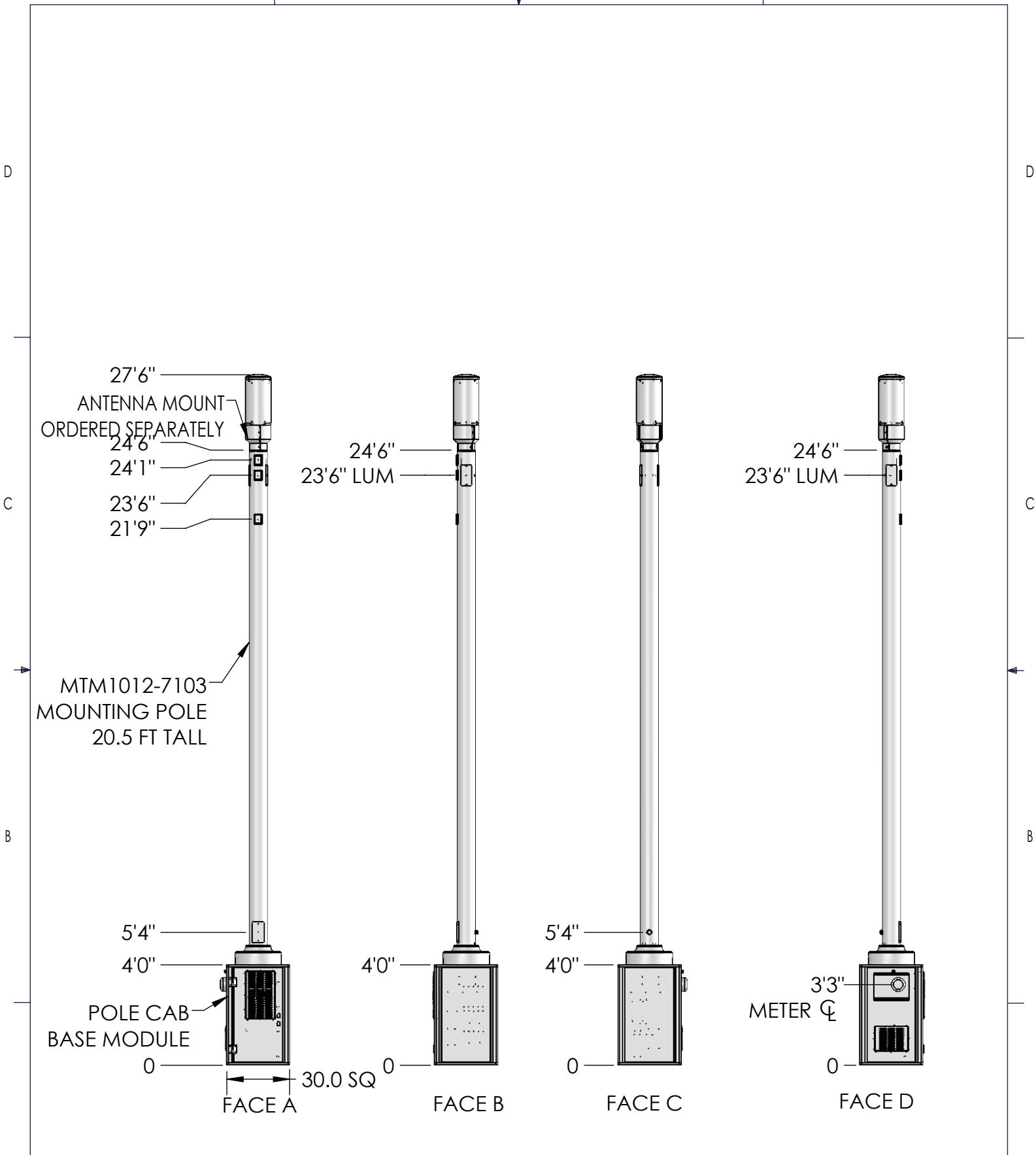
REMOVE BURRS AND BREAK EDGES .005

DO NOT SCALE THIS PRINT

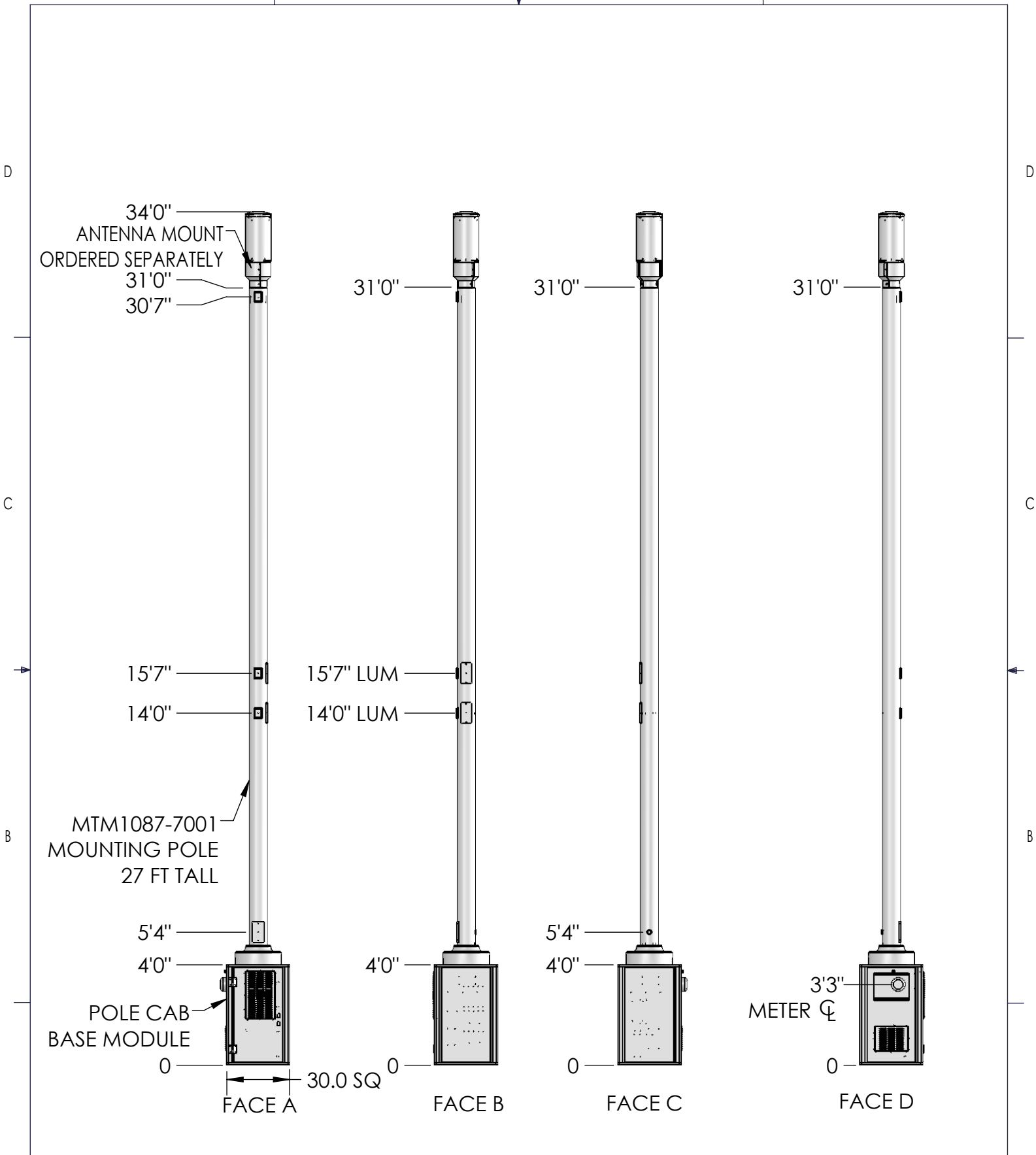
DRAWN BY: MJP	SHEET: 26 of 1	PART NUMBER: 760240957xx36x ALT POLE
CHECKED BY:	SCALE:	DESCRIPTION: METRO CELL, 30IN POLE CAB SOLUTION
DATE:	MATERIAL:	DRAWING TYPE:
REVISION: A	FINISH:	
	WEIGHT:	

COMMSCOPE®

4 3 2 1



<p>These drawings and specifications are the proprietary property of CommScope Inc. and may be used only for the specific purpose authorized in writing by CommScope Inc.</p> <p>ALL DIMENSIONS ARE IN INCHES U.O.S. TOLERANCES UNLESS OTHERWISE SPECIFIED:</p> <p>.X = ± .12 ANGLES ±2° .XX = ± .06 FRACTIONS ±1/32 .XXX = ± .031</p> <p>REMOVE BURRS AND BREAK EDGES .005</p> <p>DO NOT SCALE THIS PRINT</p>	DRAWN BY: MJP	SHEET: 27 of 1	PART NUMBER: 760240957xx25x ALT POLE
	CHECKED BY:	SCALE:	DESCRIPTION: METRO CELL, 30IN POLE CAB SOLUTION
	DATE:	MATERIAL:	DRAWING TYPE:
	REVISION: A	FINISH:	
		WEIGHT:	



<p>These drawings and specifications are the proprietary property of Commscope Inc. and may be used only for the specific purpose authorized in writing by Commscope Inc.</p> <p>ALL DIMENSIONS ARE IN INCHES U.O.S. TOLERANCES UNLESS OTHERWISE SPECIFIED:</p> <p>.X = ± .12 ANGLES ±2° .XX = ± .06 FRACTIONS ±1/32 .XXX = ± .031</p> <p>REMOVE BURRS AND BREAK EDGES .005</p> <p>DO NOT SCALE THIS PRINT</p>	DRAWN BY: MJP	SHEET: 28 of 1	PART NUMBER: 760240957xx31x ALT POLE-2
	CHECKED BY:	SCALE:	DESCRIPTION: METRO CELL, 30IN POLE CAB SOLUTION
	DATE:	MATERIAL:	DRAWING TYPE:
	REVISION: A	FINISH:	WEIGHT: