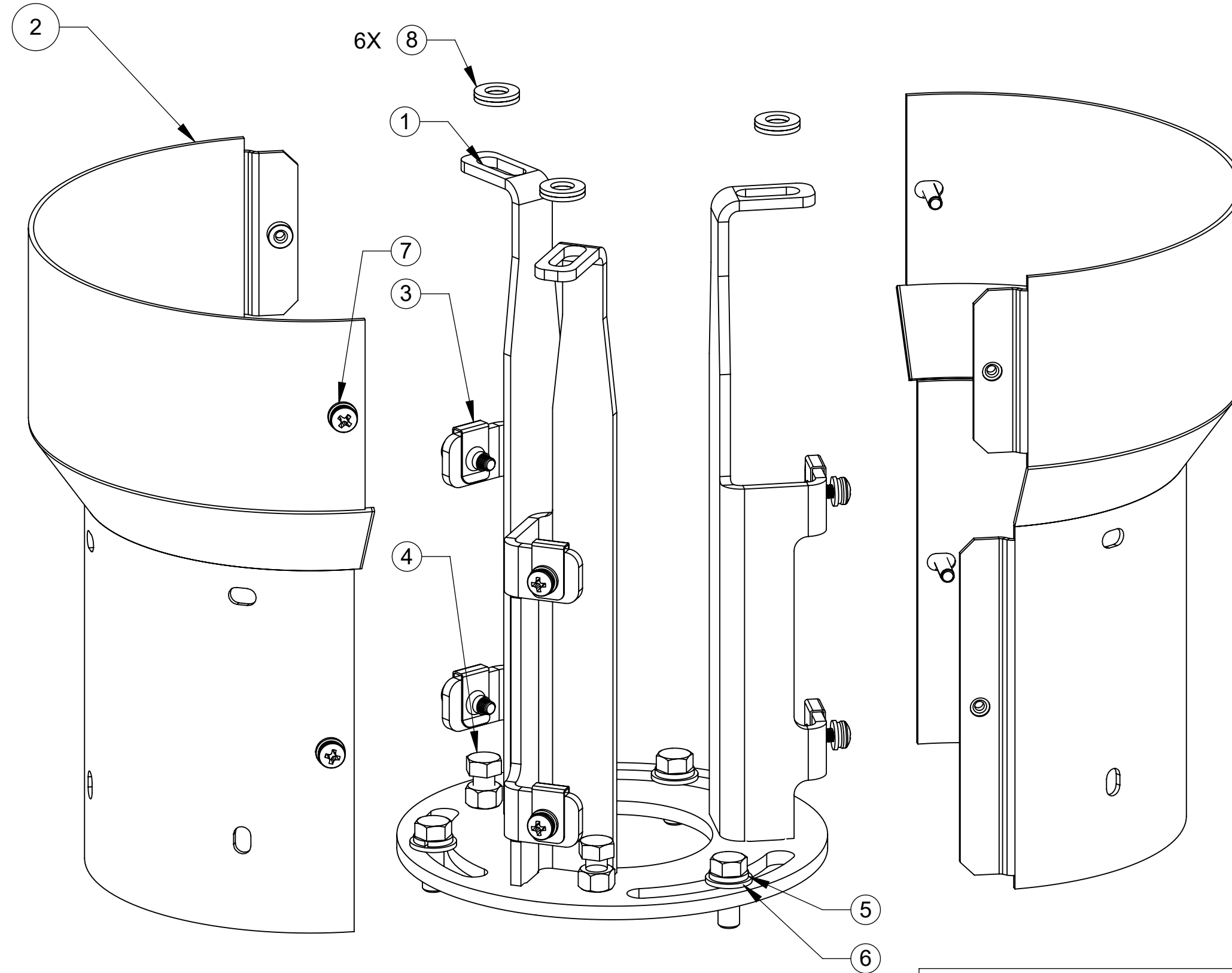


- 1. GENERAL NOTES
  - 1.1 ALL METRIC DIMENSIONS ARE IN BRACKETS [X.X]
  - 1.2 FEATURES CRITICAL TO QUALITY ARE INDICATED IN ROUNDED BOX (X.X)
  - 1.3 ANTENNA NOT SUPPLIED, SHOWN FOR REFERENCE ONLY
- 2. DESIGN NOTES
- 3. MANUFACTURING/SPECIAL REQUIREMENT
- 4. TEST
- 5. PACKAGING
  - 5.1 LOOSE HW TO BE PACKAGED IN POLYBAG.SHOWN ASSEMBLED FOR REFERENCE ONLY
  - 5.2 QTY 3 TO BE INSTALLED AS SHOWN AND THE REMAINING 3 TO BE PACKAGED IN POLYBAG
  - 5.3 PACKAGING REQUIREMENTS SHALL MEET COMMSCOPE DOCUMENT IS-PL-3005
  - 5.4 PRINTED DOCUMENT TO BE INCLUDED INSIDE THE PACKAGE

REVISIONS				
REV.	ECN	DESCRIPTION	BY	DATE
A	11618	INITIAL RELEASE	PX1012	4/16/2021



ITEM NO.	PART NUMBER	DESCRIPTION	QTY	NOTE
1	MTC3985PT41	WELDMENT, ANTENNA MOUNT	1	
2	860661965-100-xx	TRANSITION COVERS 860661965	2	
3	460143456	CLIP NUT, M6, 316 SST	6	
4	SB-0310	3/8" X 1" SS BOLT	6	5.1,5.2
5	SWL-03	3/8" SS LOCK WASHER	3	5.2
6	SWF-03	3/8" SS FLAT WASHER	3	5.2
7	100117-4	FA,SEMS,PH,XRES,M6X25,SST,PASS	10	
8	MTC978706	M10 Stainless Steel Flat Washer	6	
9	860661965-XX	REFERENCE DOCUMENT	1	5.4

DENSITY	0.08	lbs/in <sup>3</sup>
MASS	13.64	lbs
VOLUME	172.47	in <sup>3</sup>
SURFACE AREA		in <sup>2</sup>
HEIGHT	35.94	
LENGTH	13.70	
WIDTH	13.8	

<b>COMMSCOPE, INC. OF NORTH CAROLINA</b>											
TOLERANCES					SAP MATERIAL MASTER						
1 PLACE .X± N/A			3 PLACE .XXX±		860661965-XX						
2 PLACE .XX±			ANGLES ±								
FINISH N/A					MATERIAL N/A						
		NAME		DATE		TITLE					
		CE				<b>MNT,GNU,QOYZ9X360F14TX</b>					
		RW		PX1012						04/18/2021	
		AD		JP1130						04/19/2021	
		RE		HDAI						04/20/2021	
		ECN 11618PC				SCALE		DOCUMENT NO.			
						1:4		860661965-XX			
SIZE		Auth Group		INSL		MODEL			DRAWING		
C											
		VERSION		STATUS		REVISION		VERSION		STATUS	
		00		RE		A		00		RE	
										SHEET	
										1 OF 4	

4

3

2

1

D

D

C

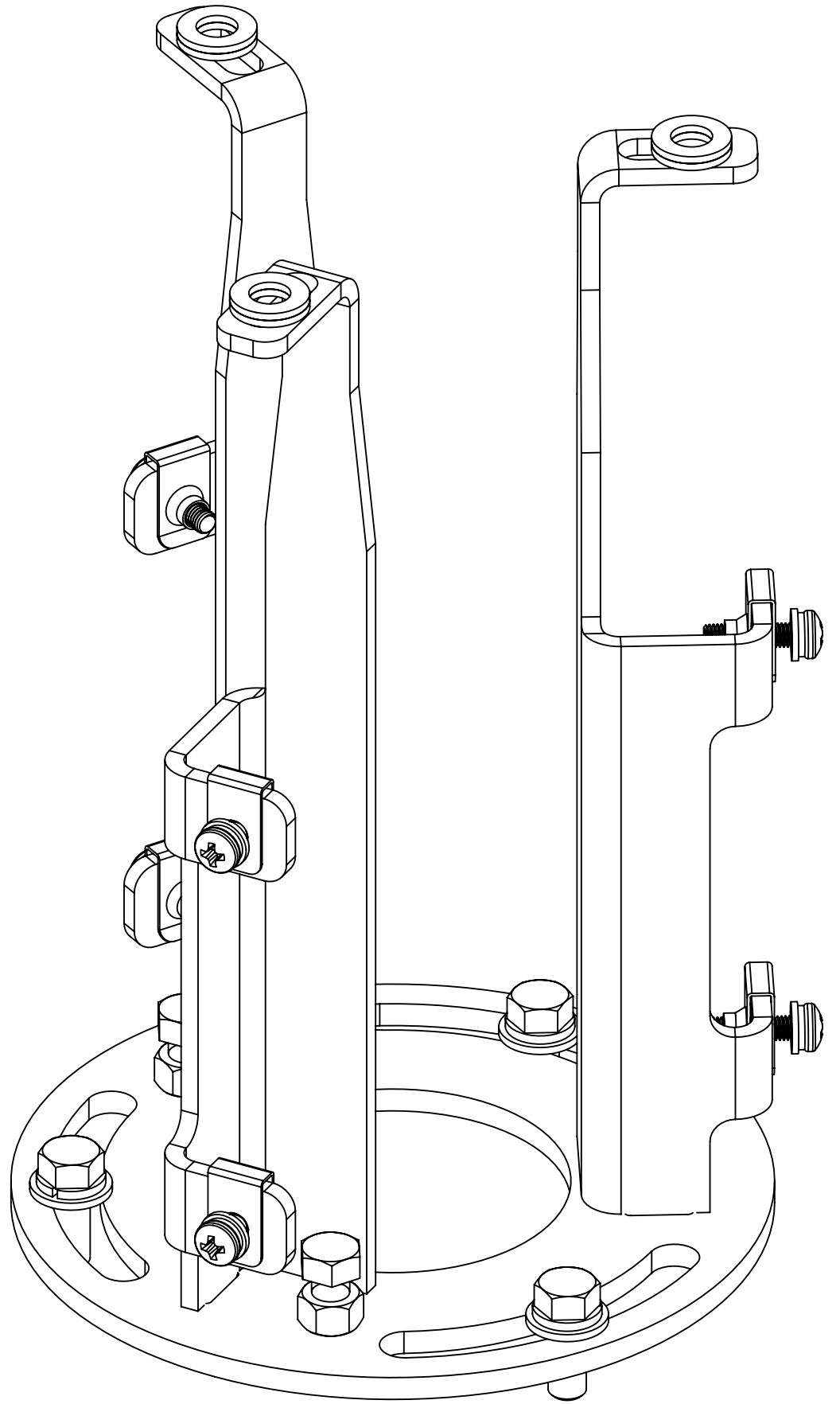
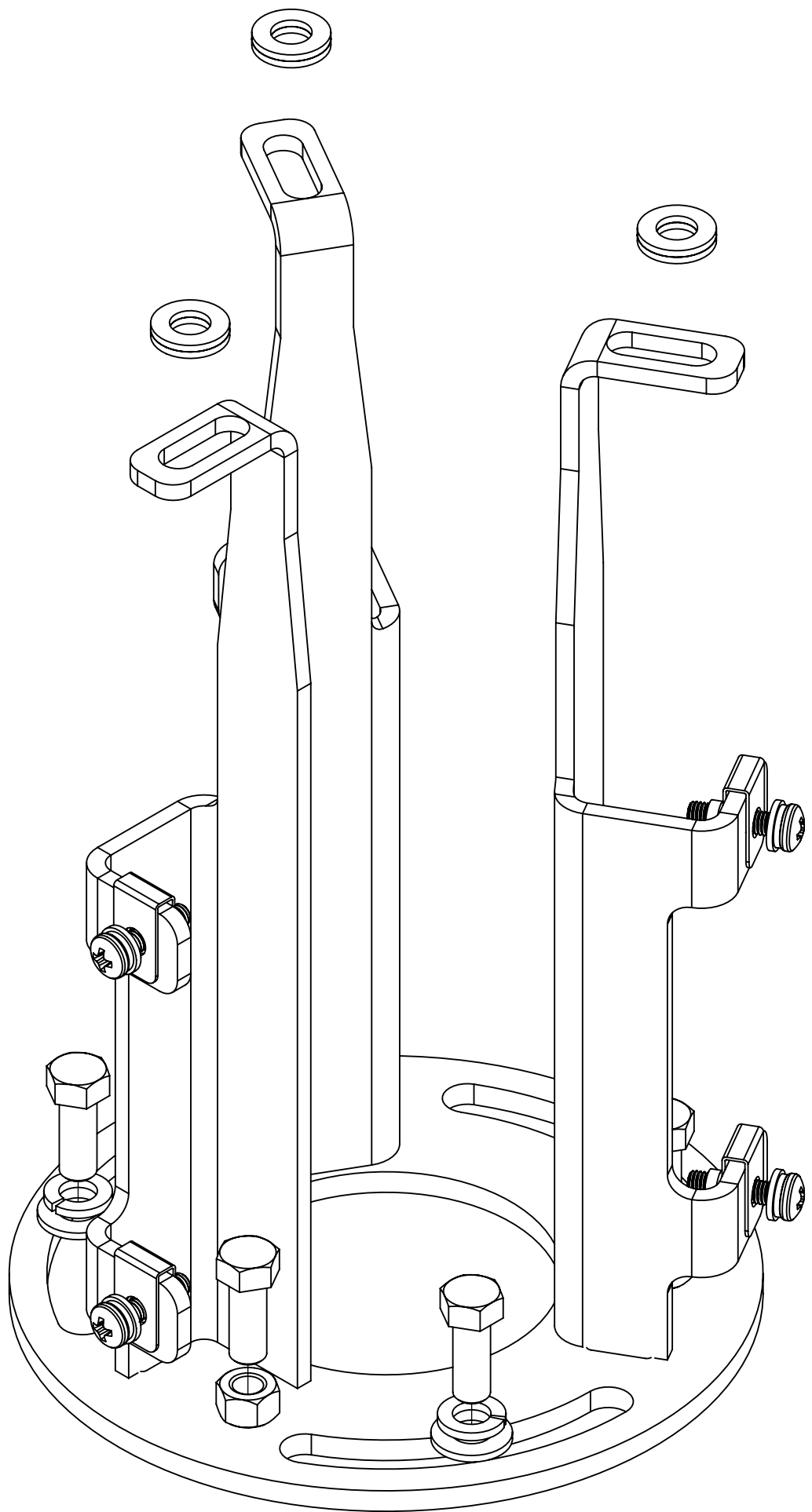
C

B

B

A

A



© 2021 CommScope, Inc. Confidential

COMMSCOPE, INC. OF NORTH CAROLINA				
TITLE MNT,GNU,QOYZ9X360F14TX				
SIZE <b>C</b>	SCALE <b>1:4</b>	DOCUMENT NO. 860661965-XX		
		DRAWING		SHEET 2 OF 4
		VERSION 00	STATUS RE	

4

3

2

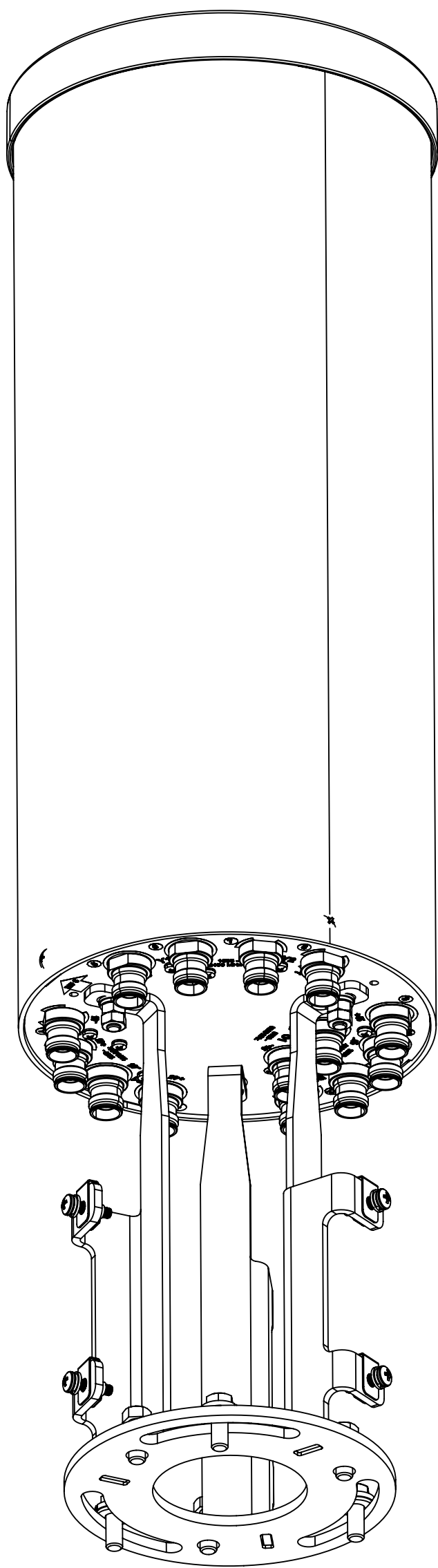
1


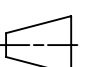
4

3

2

1



COMMSCOPE, INC. OF NORTH CAROLINA				
TITLE MNT,GNU,QOYZ9X360F14TX				
SIZE <b>C</b>	SCALE <b>1:8</b>	DOCUMENT NO. 860661965-XX		
 	DRAWING			SHEET 3 OF 4
	VERSION 00	STATUS RE	REVISION A	

© 2021 CommScope, Inc. Confidential

4

3

2

1

D

D

C

C

B

B

A

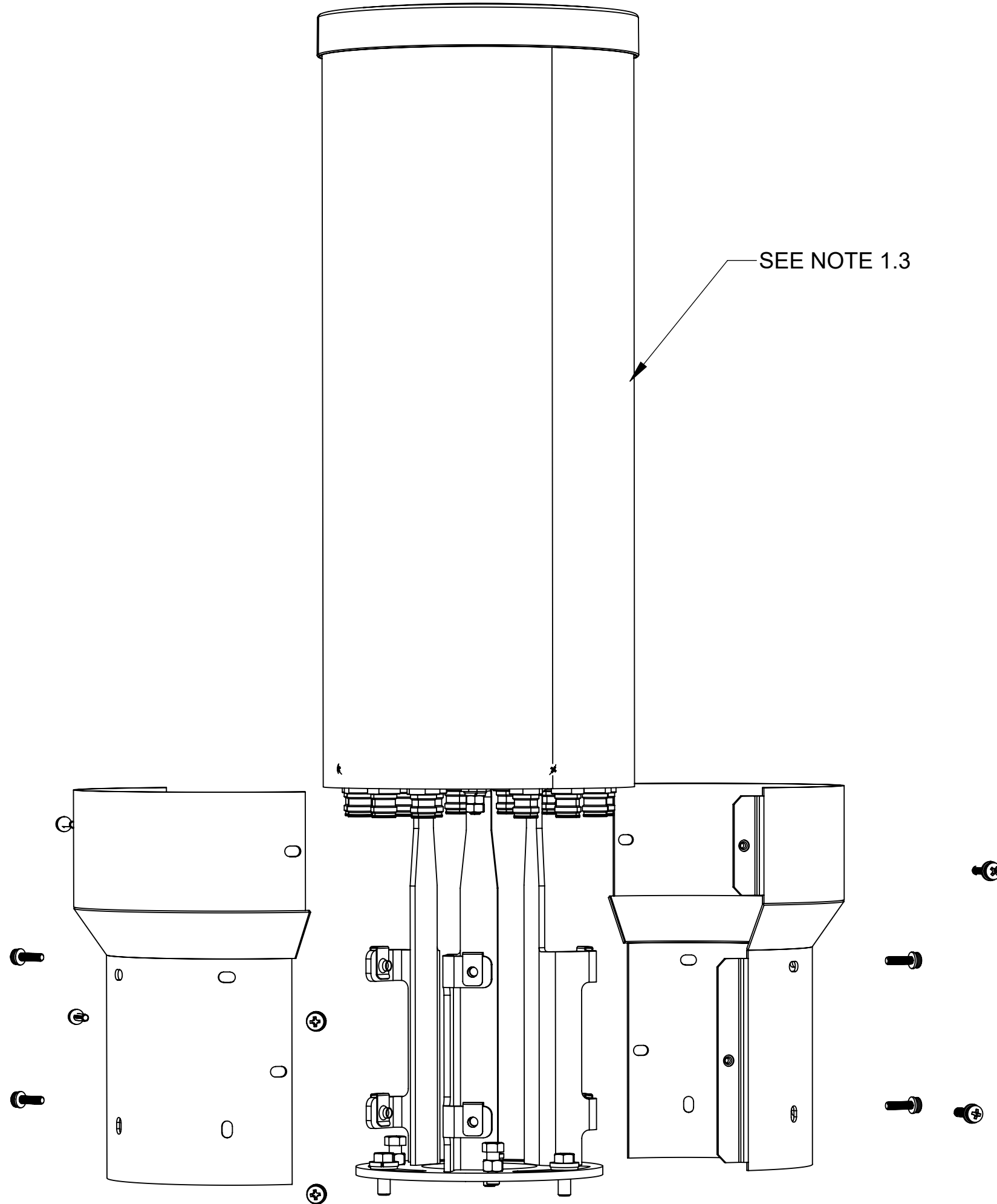
A

4

3

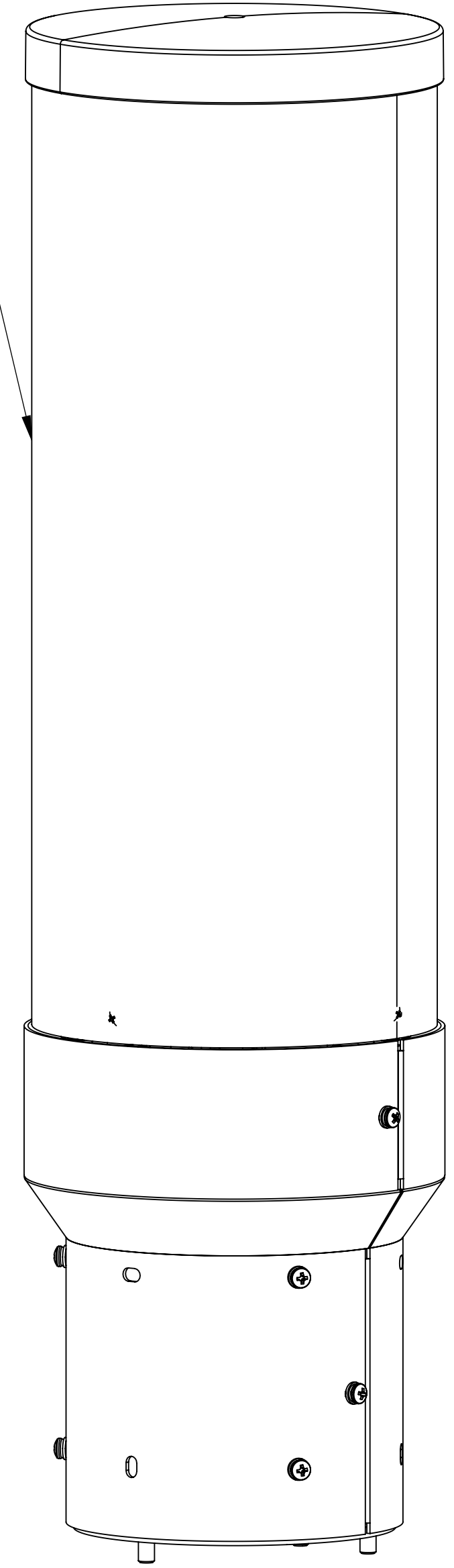
2

1



SEE NOTE 1.3

SEE NOTE 1.3


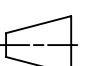


SEE NOTE 1.3

COMMSCOPE, INC. OF NORTH CAROLINA

TITLE  
MNT,GNU,QOYZ9X360F14TX

SIZE <b>C</b>	SCALE <b>1:8</b>	DOCUMENT NO. 860661965-XX
------------------	---------------------	------------------------------

 	DRAWING			SHEET 4 OF 4
	VERSION 00	STATUS RE	REVISION A	

© 2021 CommScope, Inc. Confidential

4

3

2

1

D

D

C

C

B

B

A

A