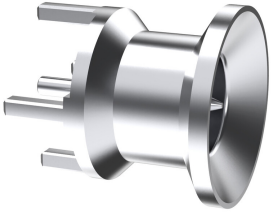


B2BYM-PCB



1.5-3.5 Male Straight B2B, PCB Type

Product Classification

Product Type Device connector

General Specifications

Body Style Straight

Inner Contact Attachment Method Solder

Inner Contact Plating Silver

Interface 1.5-3.5 Male

Mounting Angle Straight

Outer Contact Plating Tin | Trimetal

Dimensions

Height 9 mm | 0.354 in

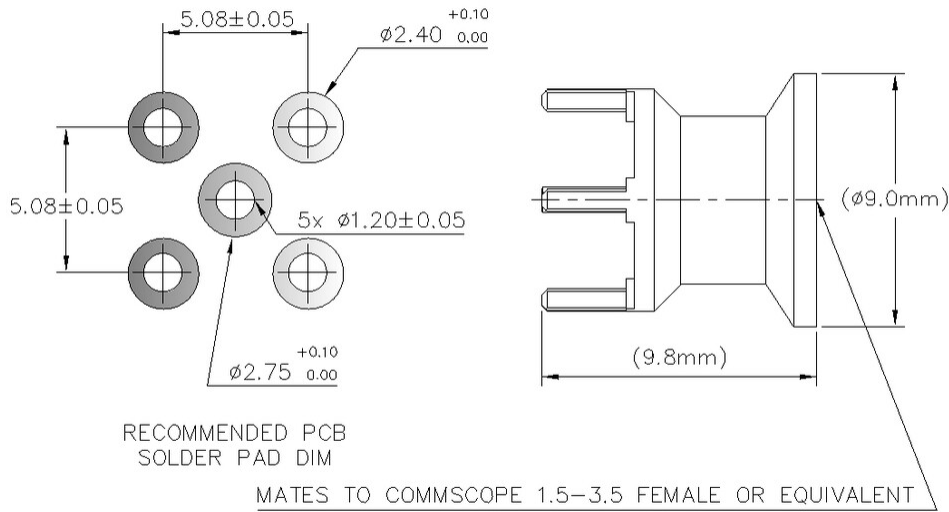
Width 9 mm | 0.354 in

Length 9.8 mm | 0.386 in

Diameter 9 mm | 0.354 in

Outline Drawing

B2BYM-PCB



Electrical Specifications

3rd Order IMD at Frequency	-110 dBm @ 3500 MHz -112 dBm @ 1800 MHz -112 dBm @ 910 MHz
3rd Order IMD Test Method	Two +43 dBm carriers
Insertion Loss, maximum	0.1 dB
Connector Impedance	50 ohm
dc Test Voltage	1000 V
Inner Contact Resistance, maximum	2 mOhm
Insulation Resistance, minimum	5000 MOhm
Operating Frequency Band	0 – 6000 MHz
Outer Contact Resistance, maximum	2 mOhm
RF Operating Voltage, maximum (vrms)	500 V

VSWR/Return Loss

Frequency Band	VSWR	Return Loss (dB)
450-2200 MHz	1.065	30.04
2200-3800 MHz	1.065	30.04
3800-4200 MHz	1.083	27.99
4200-6000 MHz	1.222	20.01

Mechanical Specifications

B2BYM-PCB

PCB Attachment	Through-hole
Insertion Force	15 N 3.372 lbf
Interface Durability	100 cycles
Interface Durability Method	IEC 61169-4:17
Mechanical Shock Test Method	IEC 60068-2-27
Radial Float/Misalignment	2.7 °

Environmental Specifications

Operating Temperature	-55 °C to +85 °C (-67 °F to +185 °F)
Storage Temperature	-65 °C to +125 °C (-85 °F to +257 °F)
Attenuation, Ambient Temperature	20 °C 68 °F
Average Power, Ambient Temperature	40 °C 104 °F
Average Power, Inner Conductor Temperature	100 °C 212 °F
Corrosion Test Method	IEC 60068-2-11
Thermal Shock Test Method	IEC 60068-2-14
Vibration Test Method	IEC 60068-2-6

Packaging and Weights

Weight, net	1.33 g 0.003 lb
--------------------	-------------------