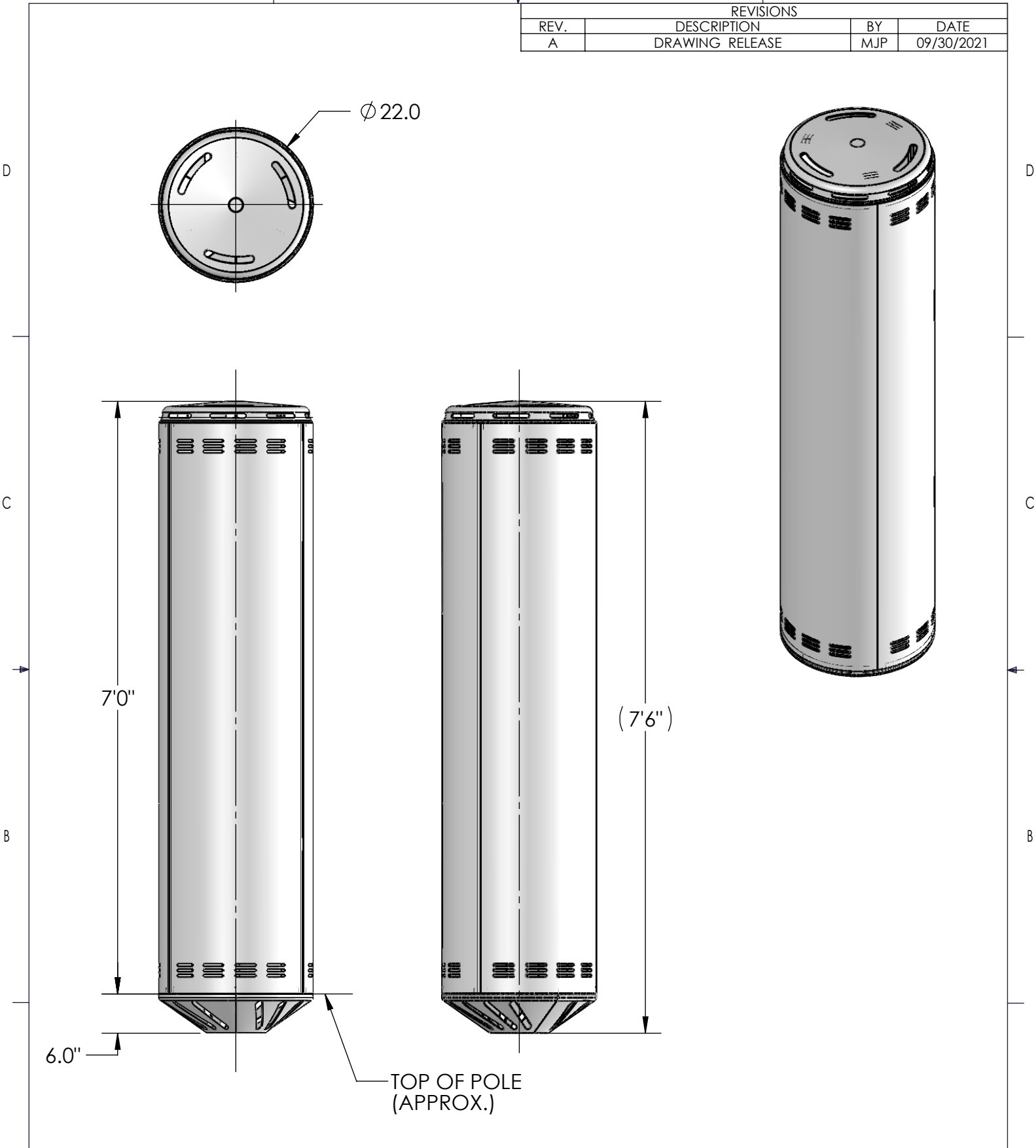


REVISIONS			
REV.	DESCRIPTION	BY	DATE
A	DRAWING RELEASE	MJP	09/30/2021



<p>These drawings and specifications are the proprietary property of CommScope Inc. and may be used only for the specific purpose authorized in writing by CommScope Inc.</p> <p>ALL DIMENSIONS ARE IN INCHES U.O.S. TOLERANCES UNLESS OTHERWISE SPECIFIED:</p> <p>.X = ± .12      ANGLES      ±2° .XX = ± .06      FRACTIONS      ±1/32 .XXX = ± .031</p> <p>REMOVE BURRS AND BREAK EDGES .005</p> <p>DO NOT SCALE THIS PRINT</p>	DRAWN BY: MJP	SHEET: 1 of 1	PART NUMBER: MTPT LINE-03
	CHECKED BY:	SCALE:	DESCRIPTION: MULTI TENANT POLE TOP ENCLOSURE
	DATE:	MATERIAL:	DRAWING TYPE:
	REVISION: <b>A</b>	FINISH:	WEIGHT: