

1. GENERAL NOTES

- 1.1 ALL METRIC DIMENSIONS ARE IN BRACKETS [X.X]
- 1.2 FEATURES CRITICAL TO QUALITY ARE INDICATED IN ROUNDED BOX (XX)

2. DESIGN NOTES

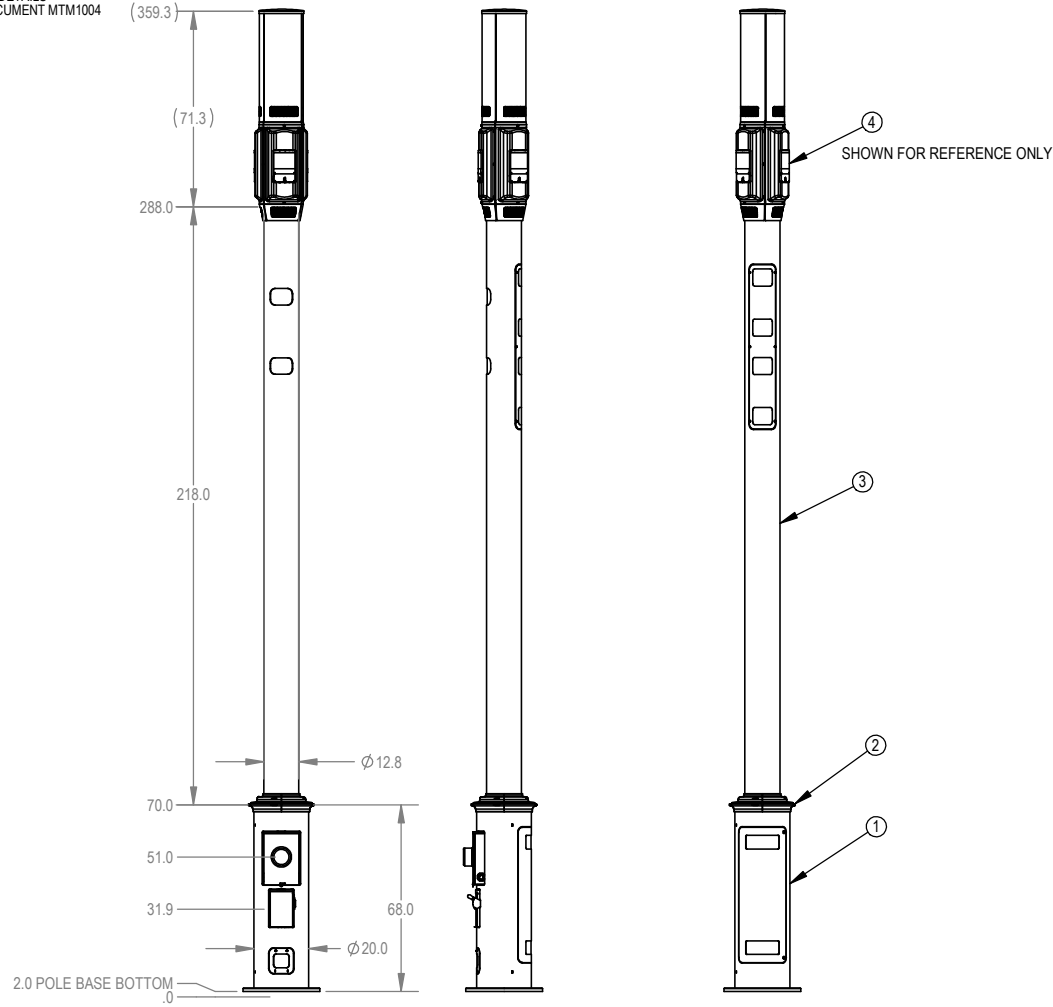
- 2.1 NOMINAL DESIGN 3-SEC GUST WIND SPEED: XXX MPH, WITH EQUIPMENT MOUNTED AS SHOWN. TOTAL HEIGHT XX FT ABOVE GROUND LEVEL
- 2.2 REFER TO STRUCTURAL REPORT FOR FOUNDATION AND INSTALLATION DETAILS
- 2.3. THE FINISHED ITEM IS A SERIES ASSEMBLY. REFER TO METROCELL DOCUMENT MTM1004 FOR SPECIFIC COLOR REQUIREMENTS

3. MANUFACTURING/SPECIAL REQUIREMENTS

4. TESTING

5. PACKAGING

REVISIONS				
REV.	ECN	DESCRIPTION	DATE	APPROVED
A	10651	INITIAL RELEASE	4/20/2021	RW1043



760251575UXx24X6

ITEM NO.	PART NUMBER	DESCRIPTION	760250808UXx24X6 QTY.
1	MTM1130-1000-XX	F-ASSY, 20 X 68 PWR BASE INT-POLE SERIES	1
2	MTM1130-1700-XX	KIT, TRANSITION PB20-12, RMR SERIES	1
3	MTM1130-7001-XX	ASSY. RISER POLE, 12.75" OD X 18'	1
4	REF ONLY	ACCS,4G5G TRI,12",SPOOL	1

DENSITY	1626.401	lbs/in ³
MASS	11204.971	lbs
VOLUME	79164.313	in ³
SURFACE AREA		in ²
HEIGHT		
LENGTH		
WIDTH		

COMMSCOPE, INC. OF NORTH CAROLINA

TOLERANCES: 1 PLACE .X ± 3, 2 PLACE .XX ± 1.5, 3 PLACE .XXX ±, ANGLES ±

SAP MATERIAL MASTER: **760251575UXxyyX6**

FINISH: SEE BOM; MATERIAL: SEE BOM

PB20S,NO-MNT,24', SERIES

SCALE: **1:1**; DOCUMENT NO.: **760251575UXXYXX6**

ECN 10651PC

SIZE	Auth Group	INSL	MODEL	DRAWING		SHEET
C			VERSION	STATUS	REVISION	1 OF 1
				00	IW	