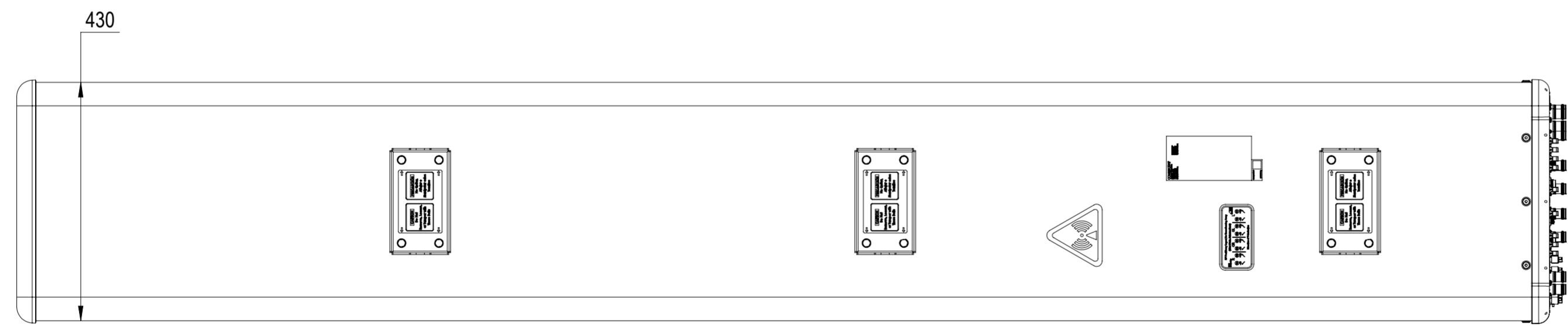
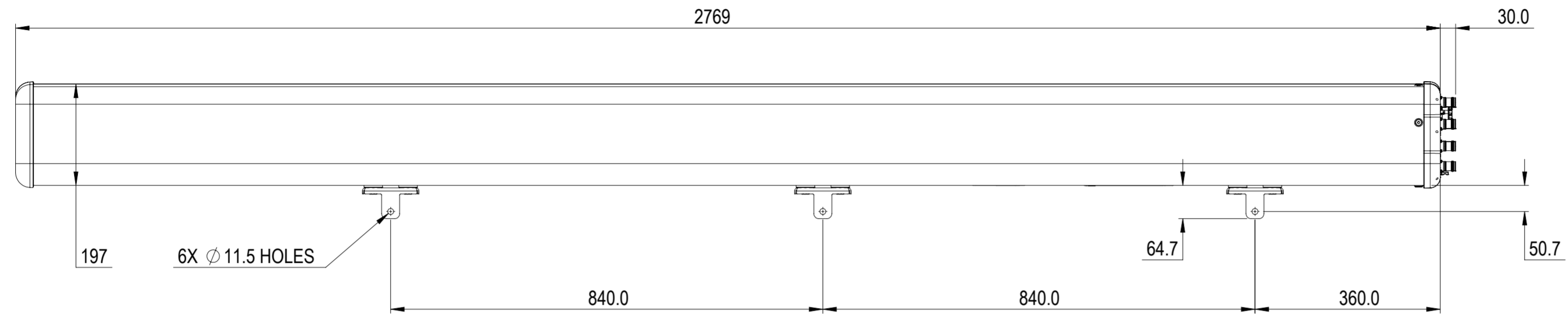


REVISIONS			
REV.	DESCRIPTION	DATE	APPROVED
A	ECR 13156PC: REL TO PRODUCTION PER EAO 609921.	02AUG21 SCY	ZCD/QZY



RRZZV4S4-65D-R9N43

COMMSCOPE, INC. OF NORTH CAROLINA

TOLERANCES		SAP MATERIAL MASTER	
0 PLACE X ±	2 PLACE .XX ±		
1 PLACE .X ±	ANGLES ±		
FINISH		MATERIAL	
<small>UNLESS OTHERWISE SPECIFIED DIMENSIONS ARE IN MILLIMETERS INTERPRET PER ISO STANDARDS HANDBOOK TECHNICAL DRAWINGS VOLUMES 1 & 2, THIRD EDITION (2002)</small>		NAME	DATE
		CE SCY	08/03/2021
		RW CSH1	08/04/2021
		AD CZHENG2	08/04/2021
		RE XS1022	08/05/2021
ECN 13156PC		SCALE	DOCUMENT NO.
		1:8	RRZZV4S4-65D-R9N43-L
SIZE	Auth Group	BSA	MODEL
A2			VERSION STATUS REVISION
		VERSION STATUS REVISION	DRAWING
		00 RE A	00 RE A
			SHEET
			1 OF 1

DENSITY	g/mm ³
MASS	grams
VOLUME	mm ³
SURFACE AREA	mm ²
HEIGHT	
LENGTH	
WIDTH	