

Installation Sheet for Universal Port

1. Product Introduction

This instruction is to demonstrate the faceplate or Surface-Mounting-Box (SMB) with universal port. The universal port can be mounted with M-series modular Jack and SL / SLX series modular Jack, KJ modular jack can be mounted with a SL adapter.

2. These instructions apply to all Universal opening series Faceplates, SMBs and Adapters.

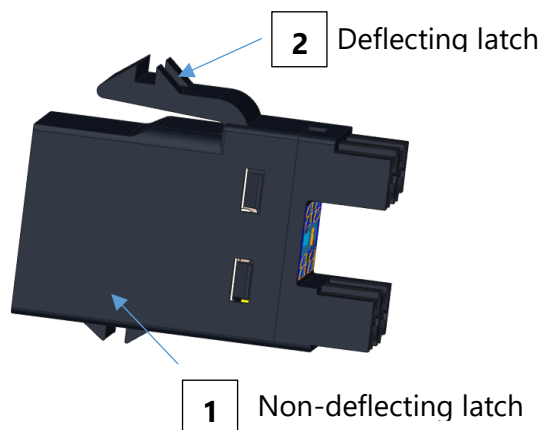
3. Modular Jack Installation steps

3.1 Terminate the modular jack according to the modular jack installation instructions. And install terminated modular Jack into faceplate proceed as follows.

3.2 SL / SLX series modular jack install

Step 1: Insert the modular jack by aligning the slotted side first, seating Non-deflecting Latch [1] on bottom side.

Step 2: Pivot the modular jack or insert forward until the Deflecting Latch [2] engages the off-set rail of the port and snaps into place. Refer to Figure 3.



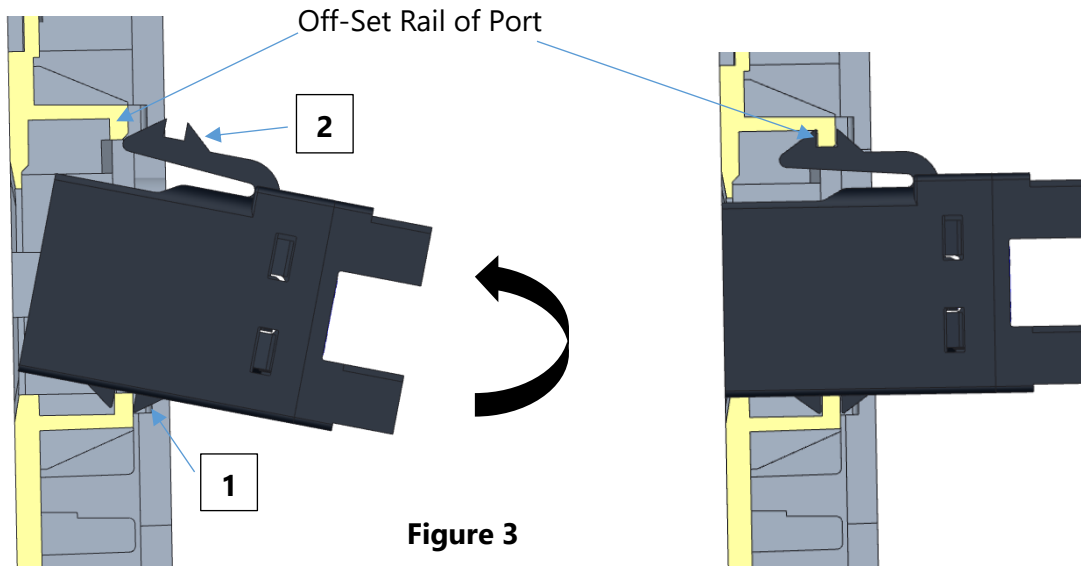


Figure 3

3.3 KJ series modular Jack install.

Step 1: Install the adapter according to the assembly direction of Figure 4. For products with adapters sold separately, adapter can be ordered under MID (760248426).

Step 2: Insert the modular jack by aligning the slotted side first, seating Non-deflecting Latch [1] on bottom side.

Step 3: Pivot the modular jack or insert forward until the Deflecting Latch [2] engages the off-set rail of the port and snaps into place. Refer to Figure 5.

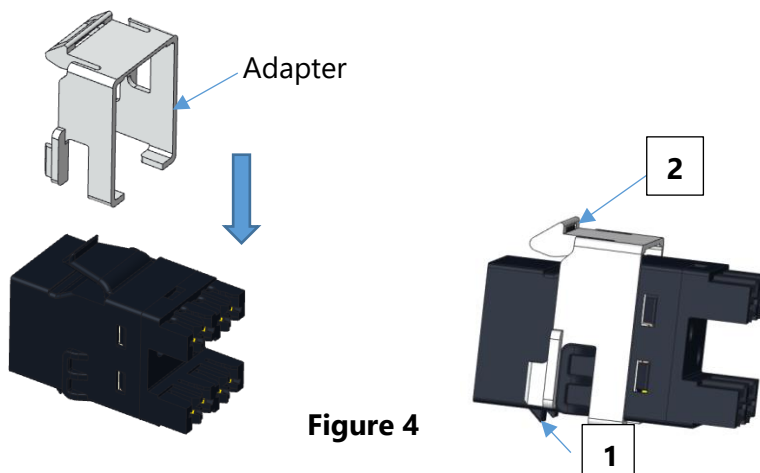


Figure 4

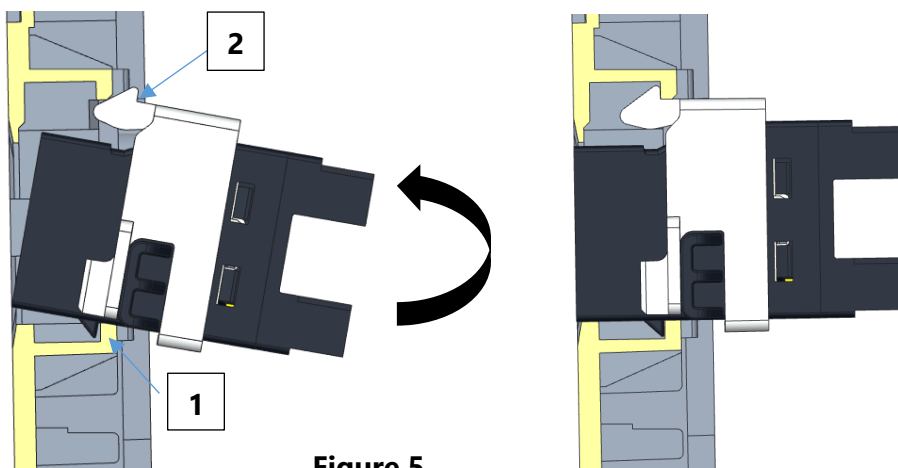


Figure 5

3.4 M series modular jack install,

- Install the modular jack according to the assembly direction of Figure 6.

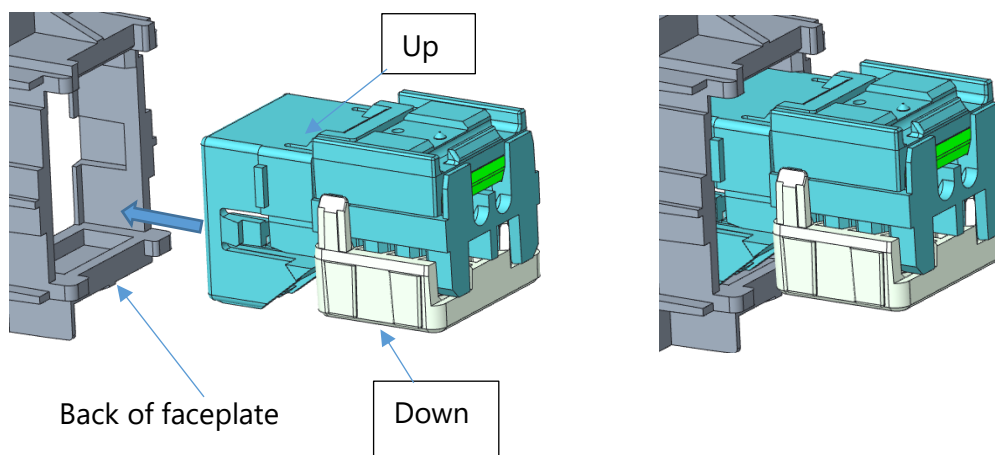


Figure 6

4 Remove modular jack from the Universal Ports.

4.1. Remove SL and KJ series modular jack, refer to figure 7.

Step1: Insert the tip of a small flat screwdriver over the deflecting latch of the modular jack.

Step2: Rotate it slightly to release the deflecting latch.

Step3: Pull the modular jack out of the back of the port.

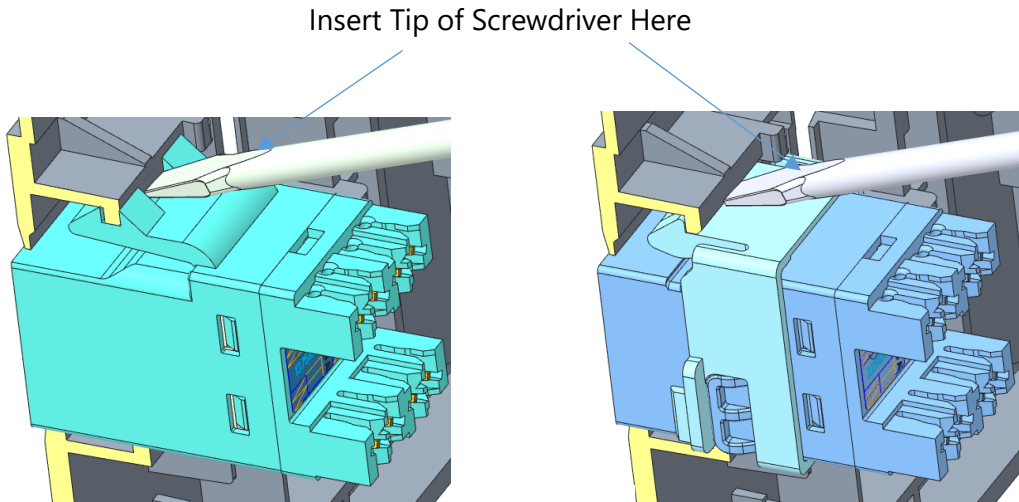


Figure 7

4.2 Remove M series modular Jack.

4.2.1 Remove from un-shuttered port, refer to figure 8.

Step1: Insert the Outlet Removal Tool (760122713) or screwdriver over the latch of the modular jack.

Step2: Pull the modular jack out of the back of the port.

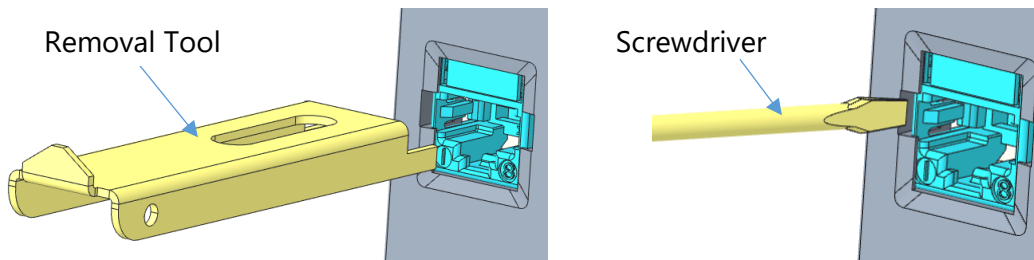


Figure 8

4.2.2 Remove from single layer shuttered port. refer to figure 9.

Step1: insert screwdriver over the latch of the modular jack from the rear side.

Step2: pivot and pull the modular jack out of the back of the port.

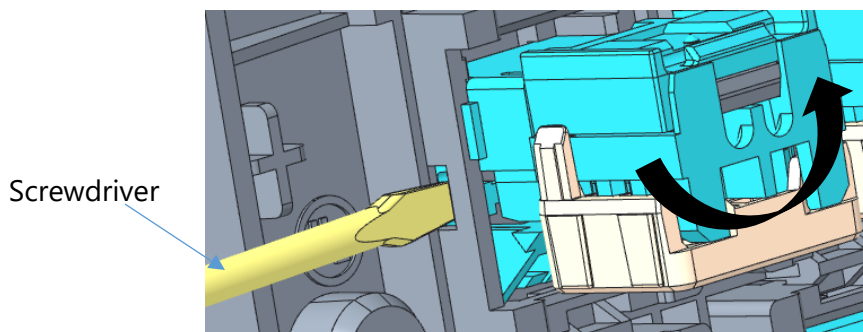


Figure 9

4.2.3 Remove from Double layer shuttered port. refer to figure 10.

Step 1: Insert screwdriver to remove the cover.

Step 2: Insert the Outlet Removal Tool (760122713) over the latch of the modular jack.

Step 3: Pull the modular jack out of the back of the port.

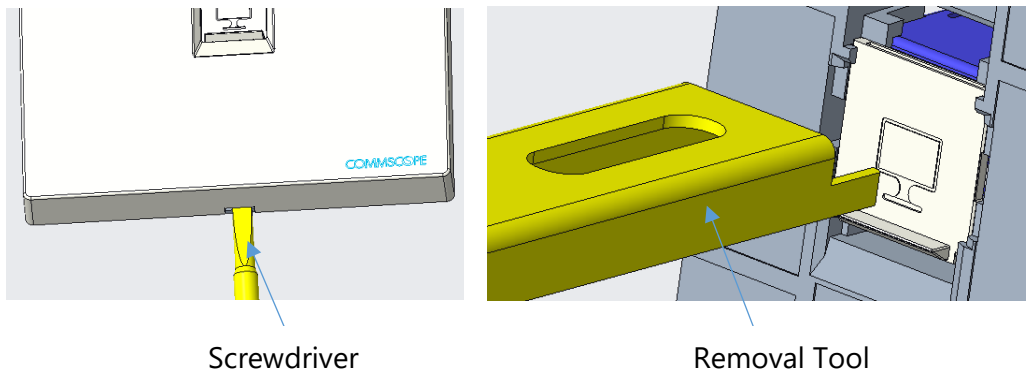


Figure 10

Note:

1. Shuttered modular jack can't work with shutter series faceplate.
2. High Density M-Series Adapter (figure 10) can't work with shuttered series faceplate.



Figure 11

3. Modular jack installation direction is back to back on the 4 port shutter faceplate, refer to figure 11.

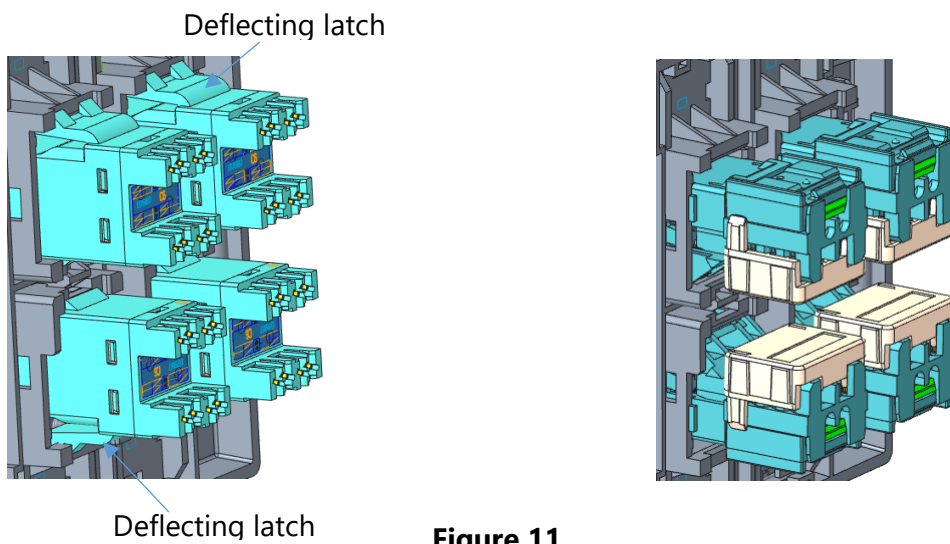


Figure 11