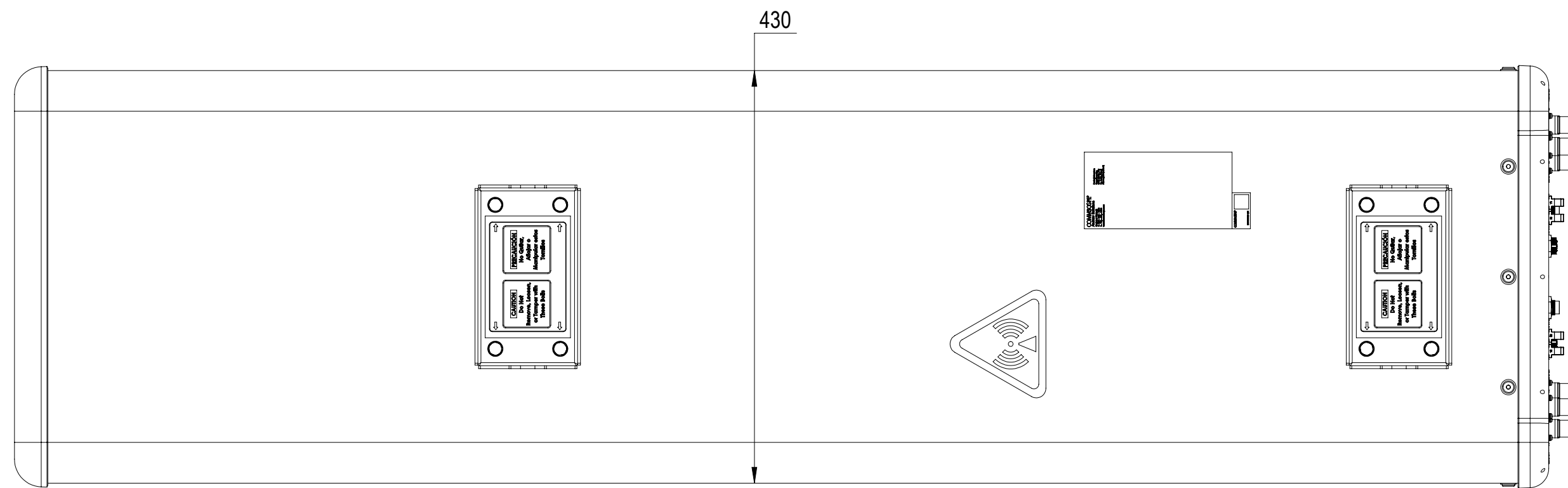
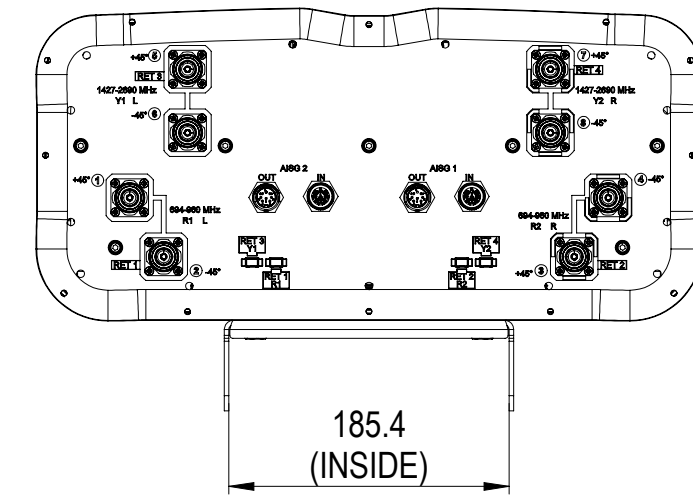
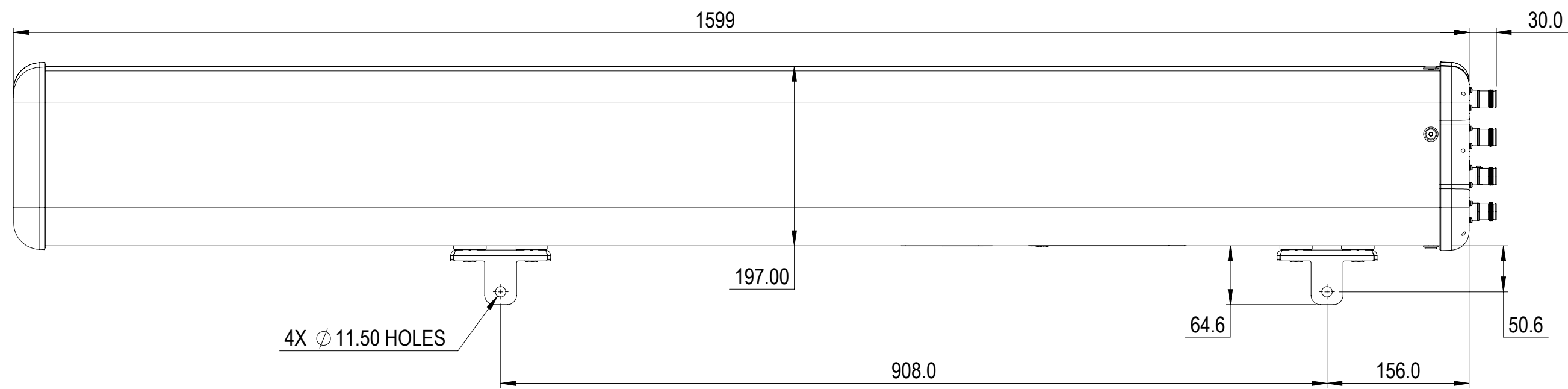


REVISIONS			
REV.	DESCRIPTION	DATE	APPROVED
A	ECR 11441PC: RELEASE TO PRODUCTION PER EAO 609130.	19MAY21 HWN	KDI / WFW



RRZZ-65A-R4N43

COMMSCOPE, INC. OF NORTH CAROLINA									
TOLERANCES					SAP MATERIAL MASTER				
0 PLACE X ±		2 PLACE .XX ±							
1 PLACE .X ±		ANGLES ±							
FINISH					MATERIAL				
<small>UNLESS OTHERWISE SPECIFIED DIMENSIONS ARE IN MILLIMETERS INTERPRET PER ISO STANDARDS HANDBOOK TECHNICAL DRAWINGS VOLUMES 1 &amp; 2, THIRD EDITION (2002)</small>	NAME	DATE	TITLE						
	CE HWN	2021-05-19	<div style="text-align: center;"> <b>PRODUCT DRAWING</b>            SCALE: <b>1:5</b>      DOCUMENT NO.: <b>RRZZ-65A-R4N43</b> </div>						
	RW								
	AD								
	RE								
ECN									
SIZE	Auth Group	MODEL		DRAWING			SHEET		
<b>A2</b>		VERSION	STATUS	REVISION	VERSION	STATUS	REVISION	1 OF 1	

DENSITY	g/mm <sup>3</sup>
MASS	grams
VOLUME	mm <sup>3</sup>
SURFACE AREA	mm <sup>2</sup>
HEIGHT	
LENGTH	
WIDTH	

© 2021 CommScope, Inc.