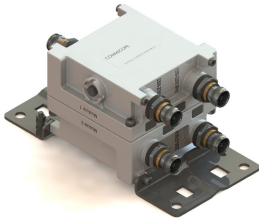


E14F06P61



Twin Diplexer, 1350–2200 MHz / 2300–2700 MHz, DCauto, with 4.3-10 connectors

- Industry leading PIM performance
- New 4.3-10 connectors for improved PIM performance and size reduction
- Designed for network modernization application, introduction of LTE2300 and LTE2600 on existing site
- Twin configuration
- DC/AISG SMART bypass functionality

Product Classification

Product Type Diplexer

General Specifications

Color Gray

Modularity 2-Twin

Mounting Pole | Wall

Mounting Pipe Hardware Band clamps (2)

RF Connector Interface 4.3-10 Female

RF Connector Interface Body Style Medium neck

Dimensions

Height 102 mm | 4.016 in

Width 121 mm | 4.764 in

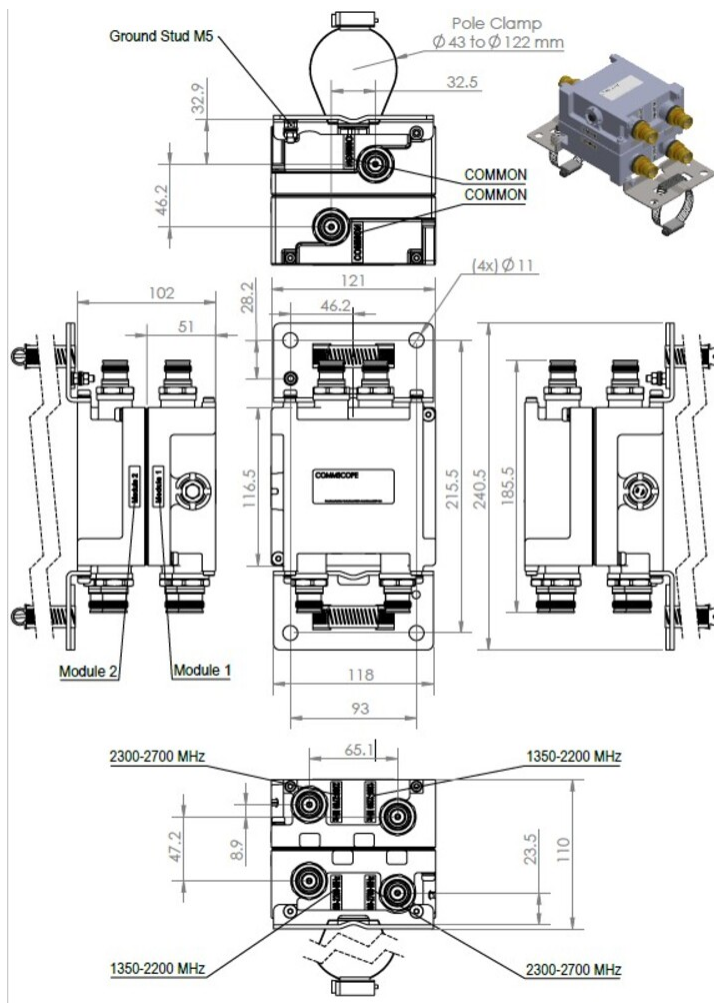
Depth 117 mm | 4.606 in

Ground Screw Diameter 5 mm | 0.197 in

Mounting Pipe Diameter Range 43–122 mm

Outline Drawing

E14F06P61



Electrical Specifications

Impedance 50 ohm

Electrical Specifications, dc Power/Alarm

dc/AISG Pass-through Method Auto sensing

dc/AISG Pass-through Path Auto sensing circuitry detects dc/AISG signal presence and selects path

dc/AISG Pass-through, combiner Autosensing

dc/AISG Pass-through, demultiplexer Autosensing

Lightning Surge Current 10 kA

Lightning Surge Current Waveform 8/20 waveform

Electrical Specifications, AISG

E14F06P61

AISG Carrier

2176 KHz \pm 100 ppm

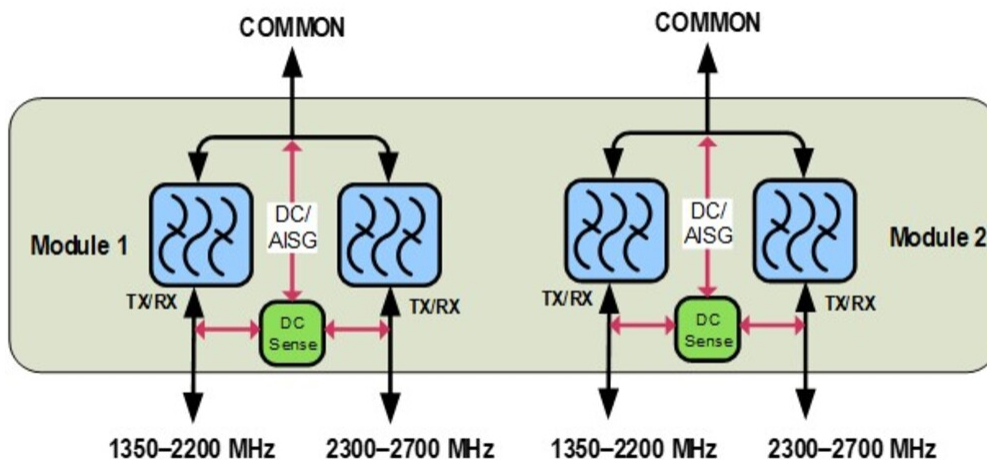
Electrical Specifications

Sub-module	1 2	1 2
Branch	1	2
Port Designation	1350-2200	2300-2700

Electrical Specifications, Band Pass

Frequency Range, MHz	1350–2200	2300–2700
Insertion Loss, typical, dB	0.2	0.2
Return Loss, typical, dB	20	20
Isolation, typical, dB	52	52
Input Power, RMS, maximum, W	300	300
Input Power, PEP, maximum, W	2000	2000
3rd Order PIM, typical, dBc	-162	-162
3rd Order PIM Test Method	Two +43 dBm carriers	Two +43 dBm carriers

Block Diagram



Mechanical Specifications

Wind Speed, maximum 150 km/h (93 mph)

Environmental Specifications

Operating Temperature -40 °C to +65 °C (-40 °F to +149 °F)

E14F06P61

Corrosion Test Method	IEC 60068-2-11, 30 days
Environmental Test Method	ETSI EN 300 019-1-4
Ingress Protection Test Method	IEC 60529:2001, IP67

Packaging and Weights

Included	Mounting hardware
Volume	1.45 L
Weight, with mounting hardware	2.9 kg 6.393 lb
Weight, without mounting hardware	2.5 kg 5.512 lb

Regulatory Compliance/Certifications

Agency	Classification
CHINA-ROHS	Above maximum concentration value
ISO 9001:2015	Designed, manufactured and/or distributed under this quality management system
ROHS	Compliant/Exempted
UK-ROHS	Compliant/Exempted

