



### Installation Safety & Equipment



**IMPORTANT!**  
**READ MANUALS FULLY BEFORE UNPACKING,  
 ASSEMBLING & INSTALLING ANTENNA**

#### SERVICE PERSONNEL

Installation, maintenance or removal of equipment must be carried out by authorized personnel having the appropriate technical training, education and experience necessary to be cognizant of hazards during installation and service, and of measures to minimize any danger to themselves or any other person.

#### SAFETY REGULATIONS

Always use mandatory local safety regulations, instructions in this manual shall be used as a supplement to the local regulations. In case of conflict between the safety instructions in this manual and local safety regulations, the local mandatory safety regulations shall prevail. CommScope will not accept responsibility for accidents resulting from non-compliance to regulations

#### INSTALLATION HARDWARE

Do not use any components (for example screws and nuts) other than those enclosed with the equipment or recommended by CommScope.



Use protective wear to avoid skin contact with conductive grease. Keep away from mouth. Wash thoroughly after use with liberal amounts of liquid soap and rinse with water. Do not store open near food or food substances.  
 Contents: Oil, clay & zinc dust.

#### HOISTING & WORKING AT HEIGHTS



Some working areas involve the risk of accidents caused by falling or by falling objects

- Use only tested and approved hoisting equipment in accordance with the instructions supplied with the equipment.
- Appropriately trained personnel must operate the hoisting device.
- Never walk under hoisted loads.

#### GENERAL MAINTENENCE

- The antenna is designed such that minimal maintenance is required. Equipment should be inspected once a year by qualified personnel to verify proper installation, maintenance, and condition of equipment to ensure trouble free operation.

#### CLEANING OF ANTENNA

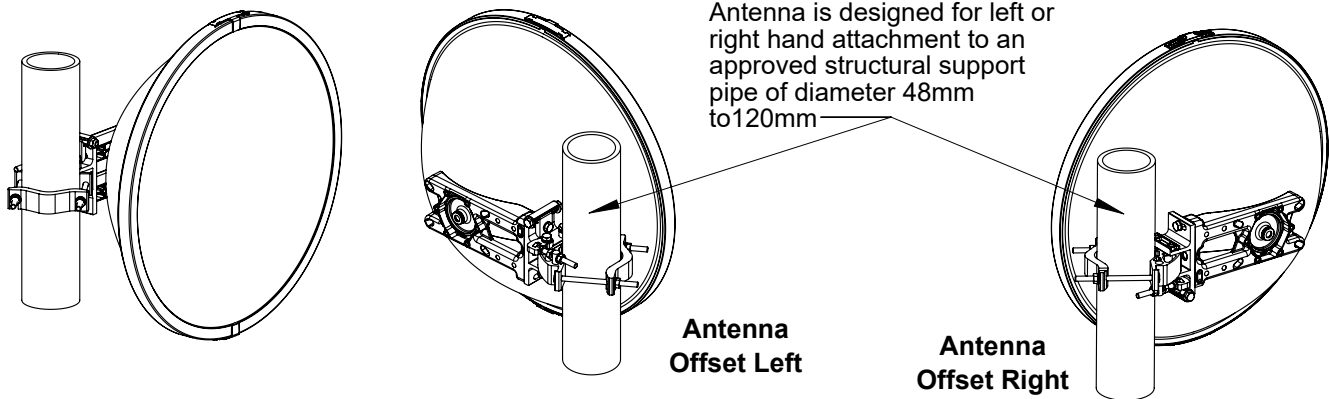
- If subsequent cleaning of the antenna is required use water and mild detergent.

#### HARDWARE AND TOOLS

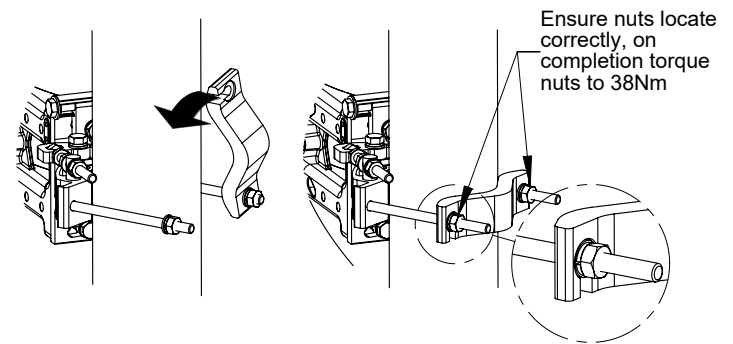
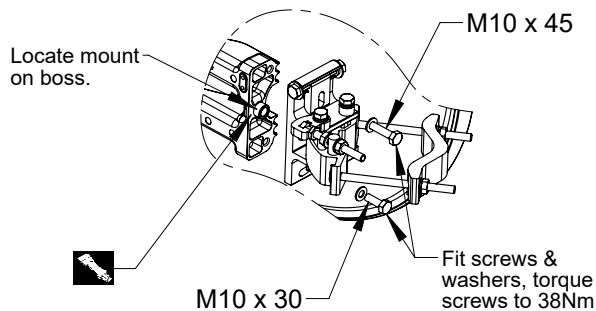
Fastener Torques & Tool Sizes									
Thread	M3	M4	M5	M6	M8	M10	M12	M16	M20
<b>Stainless Steel Hardware Torque (Nm ±5%)</b>	1.0	2.2	4.5	7.7	19	38	-	-	-
<b>Galvanised Steel Hardware Torque (Nm ±5%)</b>	-	-	-	-	-	38	60	95	185
<b>Brass Hardware Torque (Nm ±5%)</b>	-	-	-	-	-	-	-	-	95
<b>Spanner and Sockets (mm A/F)</b>	5.5	7	8	10	13	17	19	24	30

**UNLESS STATED OTHERWISE**

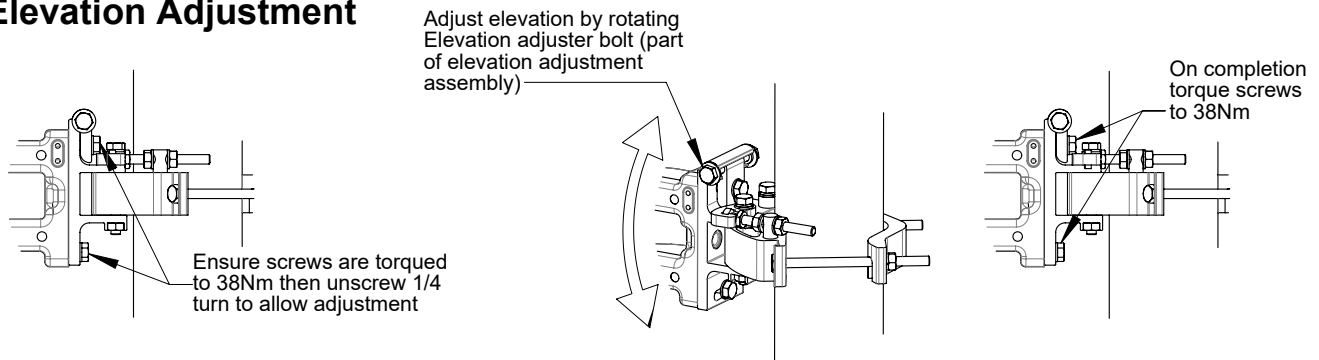
All trademarks identified by ® or ™ are registered trademarks or trademarks, respectively, of CommScope, Inc. This document is for planning purposes only and is not intended to modify or supplement any specifications or warranties relating to CommScope products or services. CommScope is committed to the highest standards of business integrity and environmental sustainability, with a number of CommScope's facilities across the globe certified in accordance with international standards, including ISO 9001, TL 9000, and ISO 14001. Further information regarding CommScope's commitment can be found at [www.commscope.com/About-Us/Corporate-Responsibility-and-Sustainability](http://www.commscope.com/About-Us/Corporate-Responsibility-and-Sustainability). Visit our website or contact your local CommScope representative for more information. For technical assistance, customer service, or to report any missing/damaged parts, visit us at: [www.commscope.com/SupportCenter](http://www.commscope.com/SupportCenter). This product is covered by one or more U.S. patents or their foreign equivalents. For patents, see [www.commscope.com/ProductPatent/ProductPatent.aspx](http://www.commscope.com/ProductPatent/ProductPatent.aspx)



## 1 Fit mount and attach to pipe



## 2 Elevation Adjustment



## 3 Azimuth Adjustment

### Tighten all hardware to specified torque

