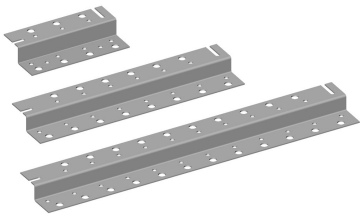


ZB-H12



Horizontal Z-bracket, 35 in, for 22 coaxial cable runs

Product Classification

Product Type Bracket kit

General Specifications

Cable Runs, quantity 22

Hole, quantity 22

Mounting Walls

Dimensions

Height 50.8 mm | 2 in

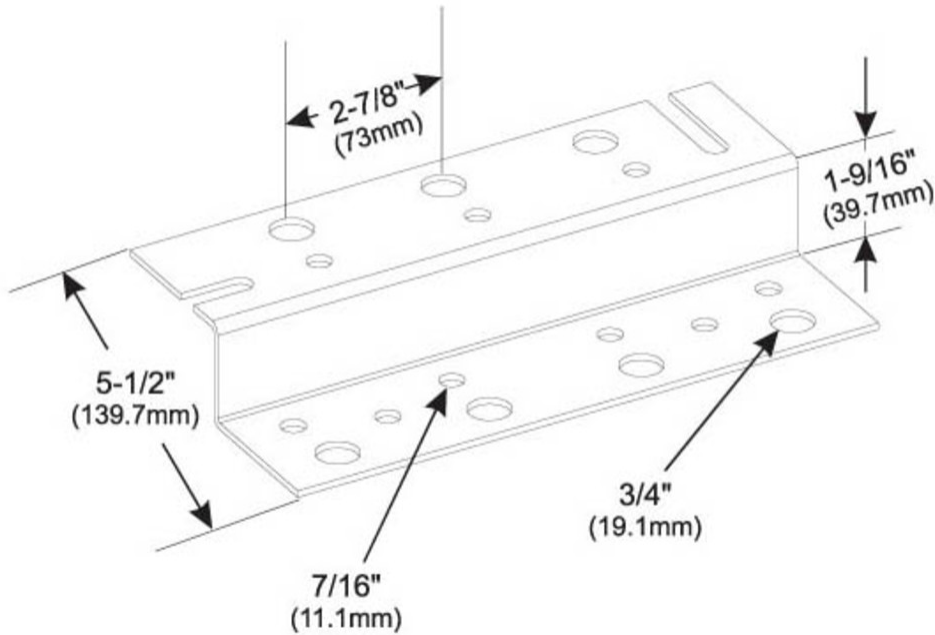
Width 152.4 mm | 6 in

Length 889 mm | 35 in

Hole Size 3/4 in | 7/16 in

ZB-H12

Outline Drawing



Material Specifications

Material Type Hot dip galvanized steel

Mechanical Specifications

Wind Rating For Specifications, please contact steelproducts@commscope.com or call 800-255-1479

Packaging and Weights

Included Z-bracket

Packaging quantity 1

Weight, net 3.7 kg | 8.157 lb

Regulatory Compliance/Certifications

Agency	Classification
CHINA-ROHS	Below maximum concentration value
ISO 9001:2015	Designed, manufactured and/or distributed under this quality management system
REACH-SVHC	Compliant as per SVHC revision on www.commscope.com/ProductCompliance
ROHS	Compliant

ZB-H12

UK-ROHS



Compliant

* Footnotes

Wind Rating

BWS—Base Wind Speed; FBC—Florida Building Code