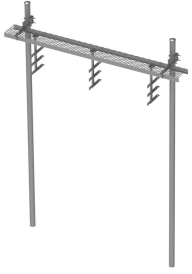


WB-K110-B



Safety Grated Waveguide Bridge Kit, 12 in x 10 ft, with two 13 ft 4 in direct burial posts

Product Classification

Product Type Waveguide bridge kit

General Specifications

Application Direct burial

Cable Runs, quantity 12

Pipe, quantity 2

Dimensions

Height 4064 mm | 160 in

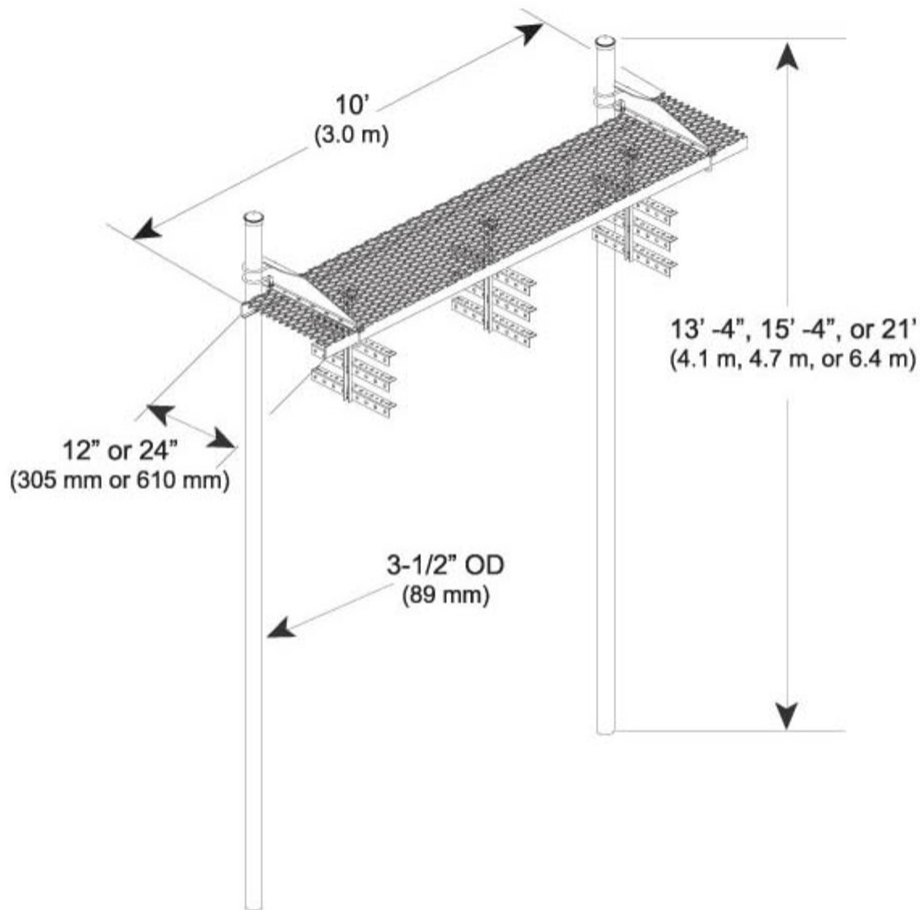
Width 304.8 mm | 12 in

Length 3048 mm | 120 in

Pipe Length 4,053.84 mm | 159.6 in

WB-K110-B

Outline Drawing



Material Specifications

Material Type Hot dip galvanized steel

Packaging and Weights

Included Caps | Channel | Hardware | Posts | Support brackets | Trapeze

Packaging quantity 1

Weight, net 147.4 kg | 324.961 lb

Regulatory Compliance/Certifications

Agency **Classification**

WB-K110-B

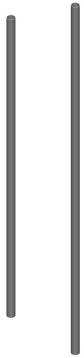
CHINA-ROHS	Above maximum concentration value
ISO 9001:2015	Designed, manufactured and/or distributed under this quality management system
ROHS	Compliant/Exempted
UK-ROHS	Compliant



Included Products

- MF-130 – Direct Burial Pipe Column, 13 ft 4 in
- WB-CY110 – Safety Grated Waveguide Bridge Channel, 12 in x 10 ft
- WB-LB12-3 – Waveguide Bridge Support Bracket, 12 in wide for 3-1/2 in OD legs
- WB-T12-3 – Trapeze Kit, triple tee, 12 in wide, three rungs

MF-130



Direct Burial Pipe Column, 13 ft 4 in

Product Classification

Product Type Pipe column

General Specifications

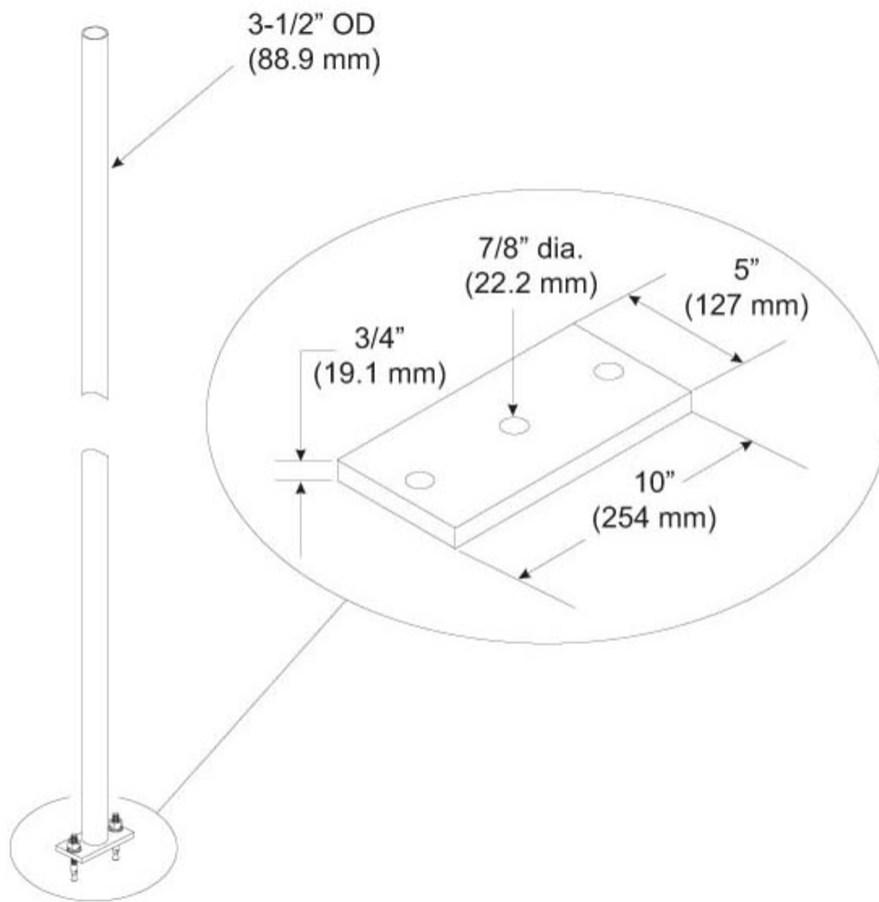
Application Direct burial
Mounting Waveguide bridge support bracket
Pipe, quantity 1

Dimensions

Height 4064 mm | 160 in
Width 88.9 mm | 3.5 in
Length 88.9 mm | 3.5 in
Pipe Length 4,053.84 mm | 159.6 in
Pipe Outer Diameter 88.9 mm | 3.5 in

MF-130

Outline Drawing



Material Specifications

Material Type Hot dip galvanized steel

Packaging and Weights

Included Anchors | Pipe

Packaging quantity 1

Weight, net 45.8 kg | 100.972 lb

Regulatory Compliance/Certifications

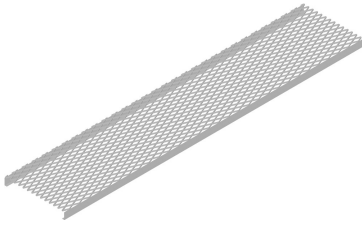
Agency **Classification**

MF-130

CHINA-ROHS	Above maximum concentration value
ISO 9001:2015	Designed, manufactured and/or distributed under this quality management system
ROHS	Compliant/Exempted
UK-ROHS	Compliant



WB-CY110



Safety Grated Waveguide Bridge Channel, 12 in x 10 ft

Product Classification

Product Type Waveguide bridge channel

General Specifications

Application Waveguide bridge kit, 12 in

Dimensions

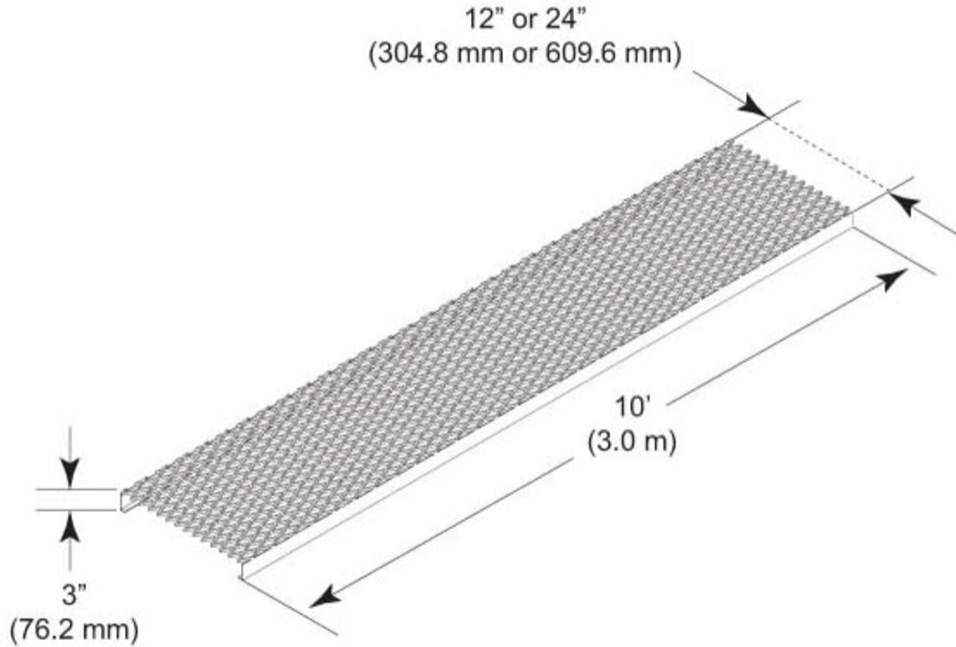
Height 76.2 mm | 3 in

Width 304.8 mm | 12 in

Length 3048 mm | 120 in

WB-CY110

Outline Drawing



Material Specifications

Material Type Hot dip galvanized steel

Packaging and Weights

Included Bridge channel

Packaging quantity 1

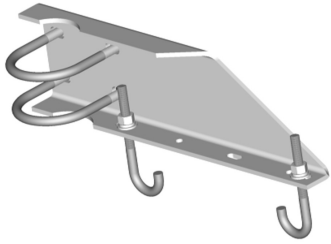
Weight, net 31.8 kg | 70.107 lb

Regulatory Compliance/Certifications

Agency	Classification
CHINA-ROHS	Above maximum concentration value
ISO 9001:2015	Designed, manufactured and/or distributed under this quality management system
ROHS	Compliant/Exempted
UK-ROHS	Compliant



WB-LB12-3



Waveguide Bridge Support Bracket, 12 in wide for 3-1/2 in OD legs

Product Classification

Product Type Support bracket

General Specifications

Application Waveguide bridge kit, 12 in

Cable Runs, quantity 12

Mounting Pipe, 88.9 mm (3-1/2 in) OD

Dimensions

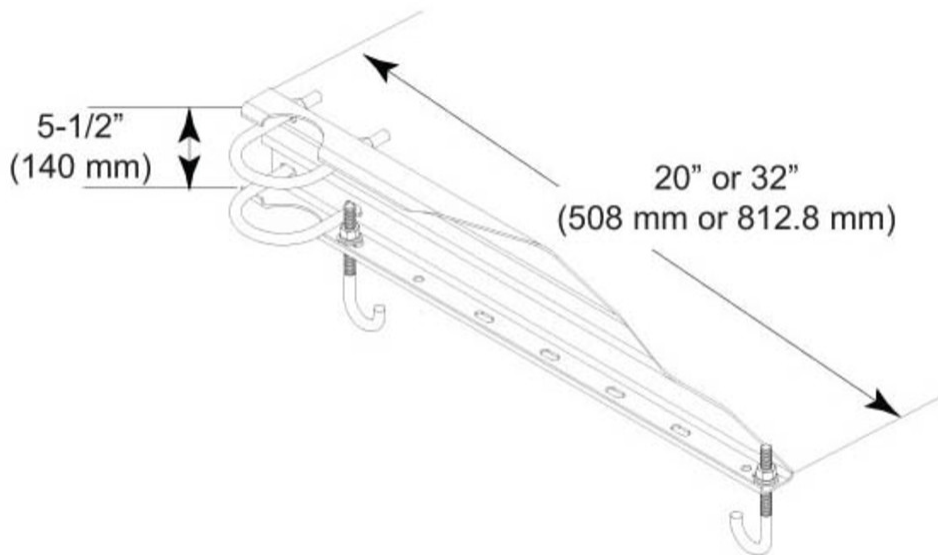
Height 50.8 mm | 2 in

Width 508 mm | 20 in

Length 152.4 mm | 6 in

WB-LB12-3

Outline Drawing



Material Specifications

Material Type Hot dip galvanized steel

Packaging and Weights

Included Brackets | Hardware

Packaging quantity 1

Weight, net 5.4 kg | 11.905 lb

Regulatory Compliance/Certifications

Agency

CHINA-ROHS

ISO 9001:2015

REACH-SVHC

ROHS

UK-ROHS

Classification

Below maximum concentration value

Designed, manufactured and/or distributed under this quality management system

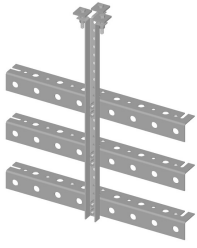
Compliant as per SVHC revision on www.commscope.com/ProductCompliance

Compliant

Compliant



WB-T12-3



Trapeze Kit, triple tee, 12 in wide, three rungs

Product Classification

Product Type Trapeze kit

General Specifications

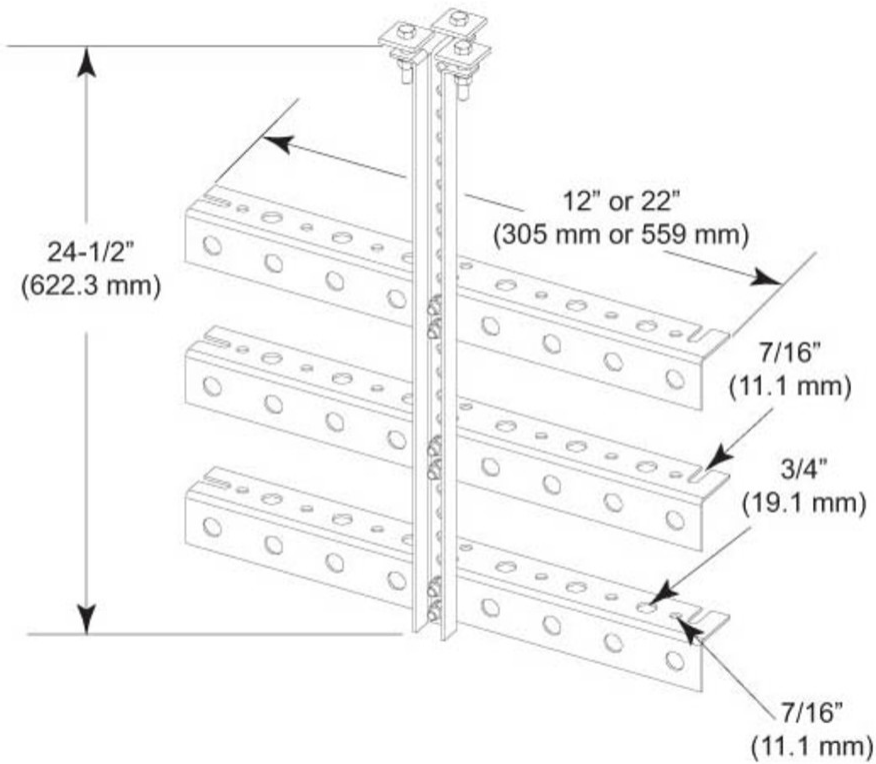
Application Waveguide bridge kit, 12 in
Cable Runs, quantity 12
Hole, quantity 12
Mounting Waveguide bridge channel
Rungs, quantity 3

Dimensions

Height 76.2 mm | 3 in
Width 304.8 mm | 12 in
Length 635 mm | 25 in
Hole Size 3/4 in | 7/16 in

WB-T12-3

Outline Drawing



Material Specifications

Material Type Hot dip galvanized steel

Packaging and Weights

Included Angle brackets | Mounting hardware

Packaging quantity 1

Weight, net 4.1 kg | 9.039 lb

Regulatory Compliance/Certifications

Agency	Classification
ISO 9001:2015	Designed, manufactured and/or distributed under this quality management system
REACH-SVHC	Compliant as per SVHC revision on www.commscope.com/ProductCompliance
ROHS	Compliant
UK-ROHS	Compliant

