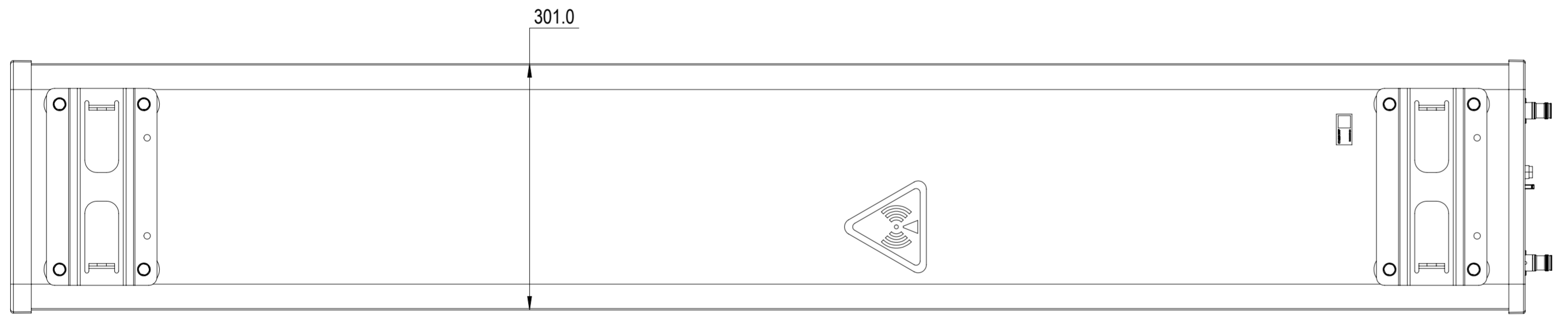
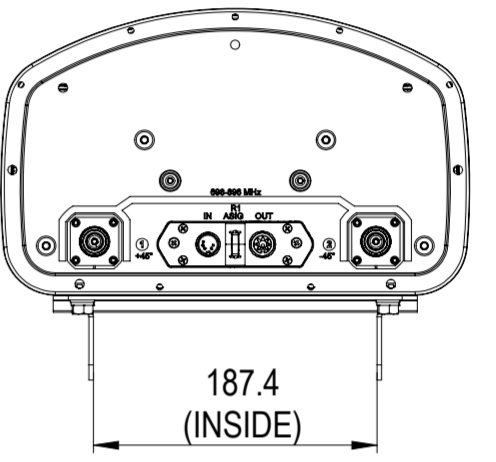
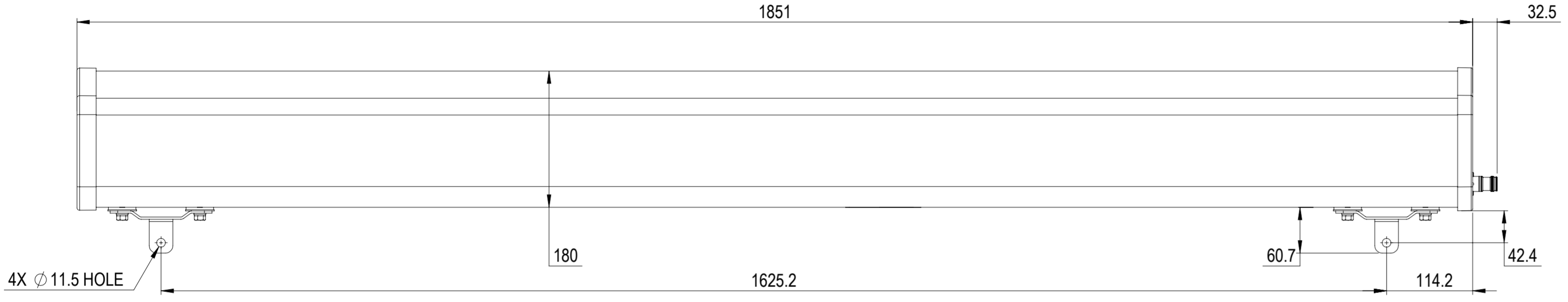


REVISIONS			
REV.	DESCRIPTION	DATE	APPROVED
A	ECR 10837PC: REL TO PRODUCTION PER EAO 609604.	25MAR21 ZY	KEL/YWQ



LNX-6514DS-R1

COMMScope, INC. OF NORTH CAROLINA

TOLERANCES		SAP MATERIAL MASTER															
0 PLACE X ±	2 PLACE .XX ±																
1 PLACE .X ±	ANGLES ±																
FINISH		MATERIAL															
UNLESS OTHERWISE SPECIFIED DIMENSIONS ARE IN MILLIMETERS INTERPRET PER ISO STANDARDS HANDBOOK TECHNICAL DRAWINGS VOLUMES 1 & 2, THIRD EDITION (2002)		<table border="1"> <thead> <tr> <th>NAME</th> <th>DATE</th> <th>TITLE</th> </tr> </thead> <tbody> <tr> <td>CE YZHA1</td> <td>24MAR21</td> <td rowspan="5">PRODUCT DRAWING</td> </tr> <tr> <td>RW YZHA1</td> <td>23DEC20</td> </tr> <tr> <td>RV</td> <td></td> </tr> <tr> <td>AD LY1021</td> <td>23DEC20</td> </tr> <tr> <td>RE XK1001</td> <td>23DEC20</td> </tr> </tbody> </table>		NAME	DATE	TITLE	CE YZHA1	24MAR21	PRODUCT DRAWING	RW YZHA1	23DEC20	RV		AD LY1021	23DEC20	RE XK1001	23DEC20
NAME	DATE	TITLE															
CE YZHA1	24MAR21	PRODUCT DRAWING															
RW YZHA1	23DEC20																
RV																	
AD LY1021	23DEC20																
RE XK1001	23DEC20																
ECN 8000041187-O		SCALE 1:5	DOCUMENT NO. RRZZVV-65D-R6N43-L														
SIZE WORK AREA 23		MODEL															
A2		VERSION 00	STATUS RE														
HEIGHT		DRAWING															
LENGTH		REVISION A	VERSION 00														
WIDTH		STATUS RE	REVISION A														
		SHEET 1 OF 1															

DENSITY	g/mm <sup>3</sup>
MASS	grams
VOLUME	mm <sup>3</sup>
SURFACE AREA	mm <sup>2</sup>