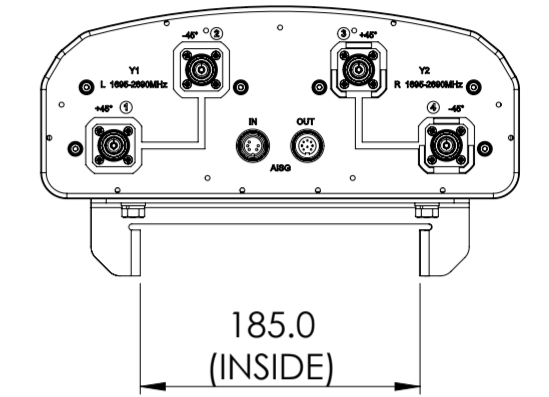
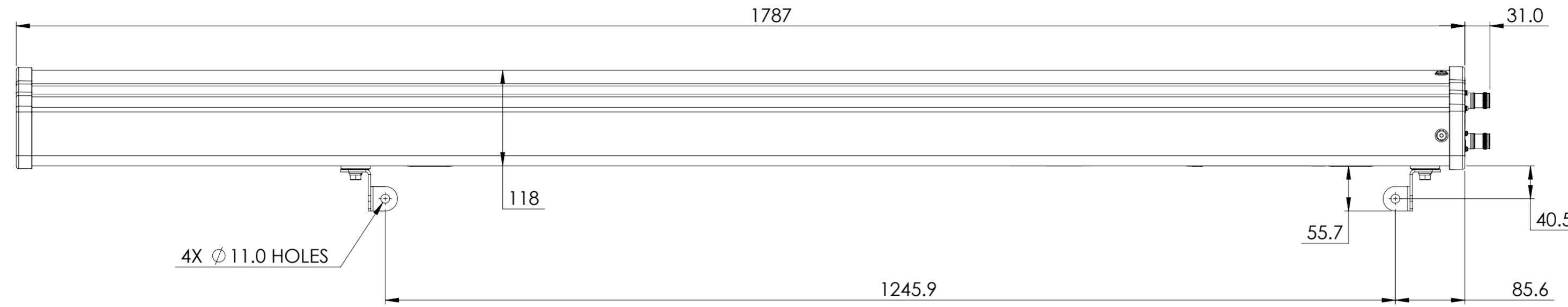


NOTES:

REVISIONS			
REV.	DESCRIPTION	DATE	APPROVED
A	ECR 10197PC: REL TO PRODUCTION PER EAO 609181.	29MAR21 CMY	GZB/XL



VV-65B-R1

COMMSCOPE, INC. OF NORTH CAROLINA

TOLERANCES		SAP MATERIAL MASTER	
0 PLACE X ±	2 PLACE .XX ±		
1 PLACE .X ±	ANGLES ±		
FINISH		MATERIAL	
<small>UNLESS OTHERWISE SPECIFIED DIMENSIONS ARE IN MILLIMETERS INTERPRET PER ISO STANDARDS HANDBOOK TECHNICAL DRAWINGS, VOLUMES 1 &amp; 2, THIRD EDITION (2002)</small>		NAME	DATE
		CE MC1105	03/29/2021
		RW MC1105	04/15/2021
		AD ZG1008	04/15/2021
		RE ZHHCHEN	04/15/2021
ECN 10197PC		SCALE	DOCUMENT NO.
		1:5	VV-65B-R1-L
SIZE	Auth Group	BSA	MODEL
A2			VERSION STATUS REVISION
			00 RE A
HEIGHT		DRAWING	
LENGTH		VERSION STATUS REVISION	
WIDTH		00 RE A	
			SHEET
			1 OF 1