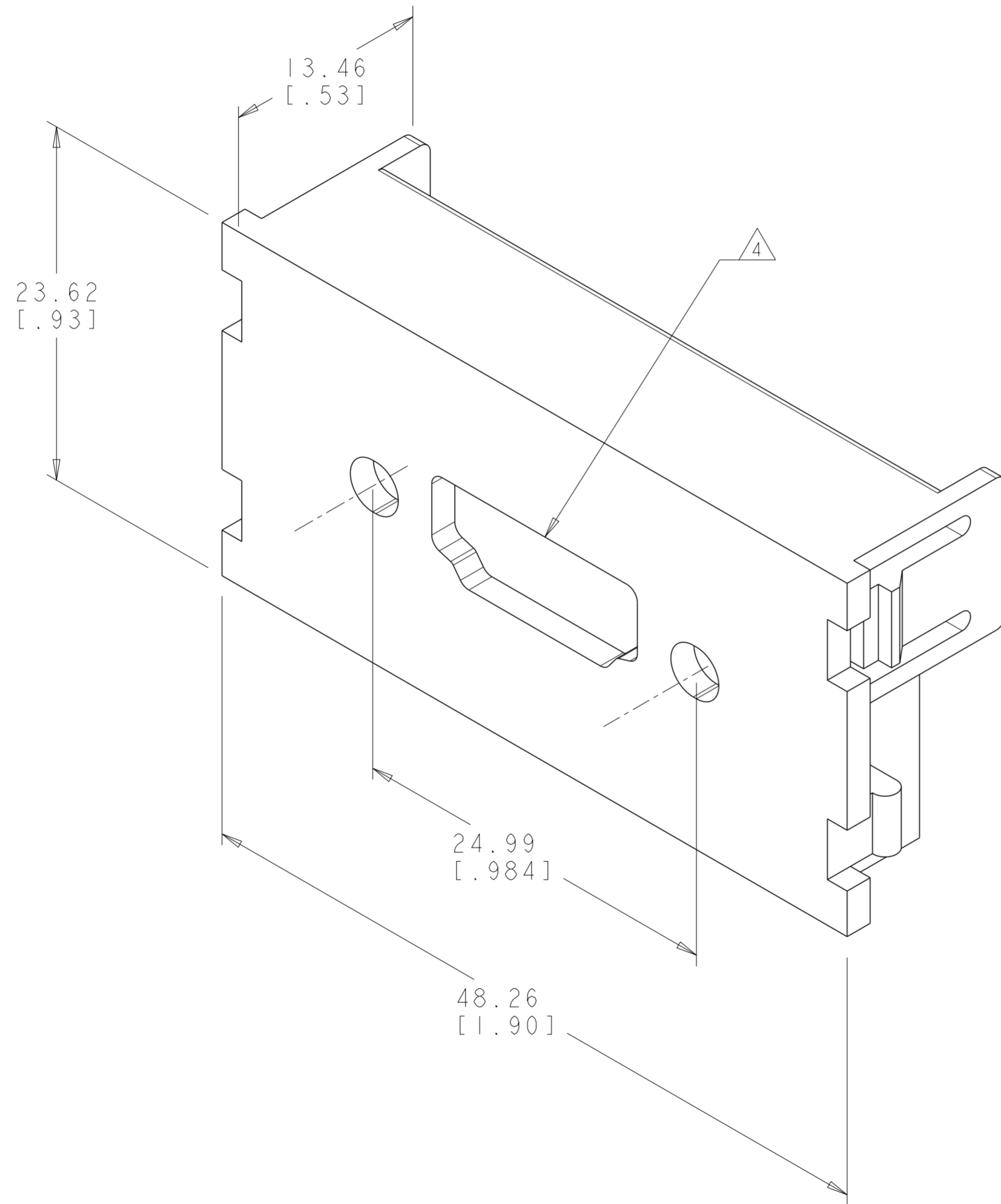


THIS DRAWING IS UNPUBLISHED. RELEASED FOR PUBLICATION 20

© 2016 COMMSCOPE INC. CONFIDENTIAL NOTICE: THESE DRAWINGS AND SPECIFICATIONS ARE THE PROPRIETARY PROPERTY OF COMMSCOPE, INC. AND MAY BE USED ONLY FOR THE SPECIFIC PURPOSE AUTHORIZED IN WRITING BY COMMSCOPE, INC.

REVISIONS				
P	LTR	DESCRIPTION	DATE	APVD
B		REV; ECO-13-019929	19DEC2013	GG RA
C		REV; ECO-15-004539	19MAY2015	GG RA



- 1. MATERIAL:
MODULE: ABS MOLDING COMPOUND.
SEE TABLE FOR COLOR.
- 2. DIMENSIONS ARE NOMINAL UNLESS OTHERWISE SPECIFIED.
- 3. REFER TO INSTRUCTION SHEET 408-8398 FOR INSTALLATION PROCEDURES.
- 4. MOUNTING CUTOUT FOR HDMI INTERFACE.

ALPINE WHITE	1-1933686-3
LT ALMOND	1933686-1
COLOR	PART NUMBER

THIS DRAWING IS A CONTROLLED DOCUMENT.		DWN J BURWELL 07JULY08	COMMSCOPE, INC. NAME: MODULE, 1 UNIT, HDMI SL SERIES	
DIMENSIONS: MM [INCHES]		CHK S ALLGOOD 07JULY08		
TOLERANCES UNLESS OTHERWISE SPECIFIED:		APVD S ALLGOOD 07JULY08		
0 PLC ±- 1 PLC ±- 2 PLC ±.25 3 PLC ±- 4 PLC ±- ANGLES ±- FINISH ±-		PRODUCT SPEC -		
MATERIAL	-	APPLICATION SPEC -	SIZE A2	CAGE CODE -
		WEIGHT -	DRAWING NO G-1933686	RESTRICTED TO -
		Customer Drawing	SCALE 4:1	SHEET 1 OF 1 REV C