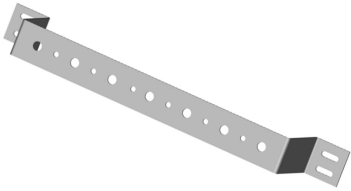


# VC-WGSO-12

---



Water Tower Waveguide Stand-Off Bracket for coaxial cable, 12 runs

## Product Classification

**Product Type** Bracket kit

## General Specifications

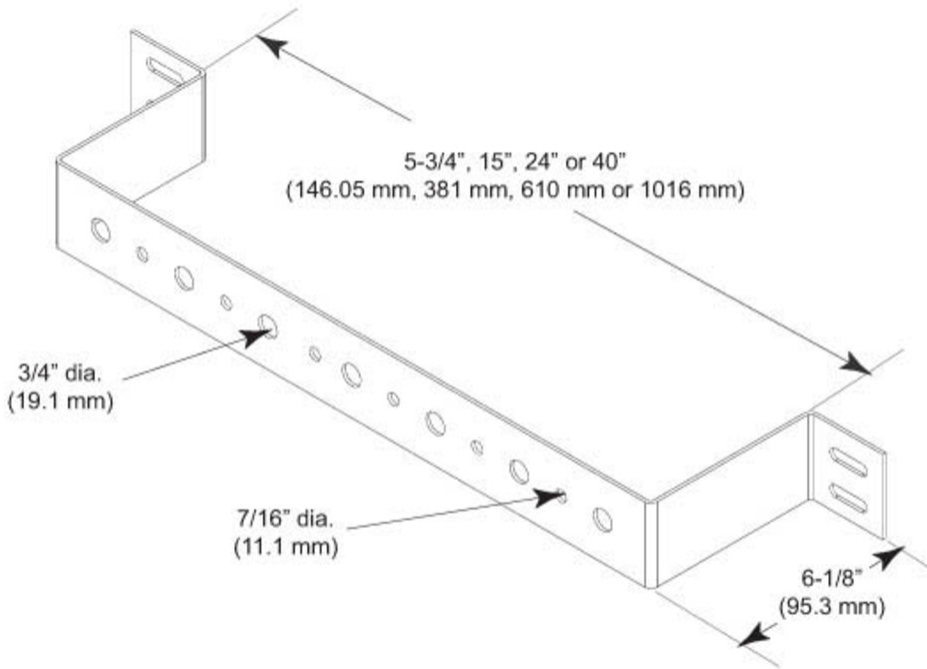
**Cable Runs, quantity** 12  
**Hole, quantity** 12  
**Mounting** Water tower surface

## Dimensions

**Height** 76.2 mm | 3 in  
**Width** 1016 mm | 40 in  
**Length** 165.1 mm | 6.5 in  
**Hole Size** 3/4 in | 7/16 in  
**Stand-off Distance** 152.4 mm | 6 in

# VC-WGSO-12

## Outline Drawing



## Material Specifications

**Material Type** Hot dip galvanized steel

## Packaging and Weights

**Included** Brackets

**Packaging quantity** 1

**Weight, net** 2.6 kg | 5.732 lb

## Regulatory Compliance/Certifications

Agency	Classification
CHINA-ROHS	Below maximum concentration value
ISO 9001:2015	Designed, manufactured and/or distributed under this quality management system
REACH-SVHC	Compliant as per SVHC revision on <a href="http://www.commscope.com/ProductCompliance">www.commscope.com/ProductCompliance</a>
ROHS	Compliant

# VC-WGSO-12

---

