

4

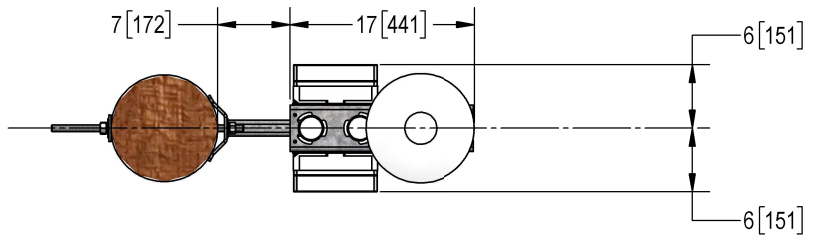
3

2

1

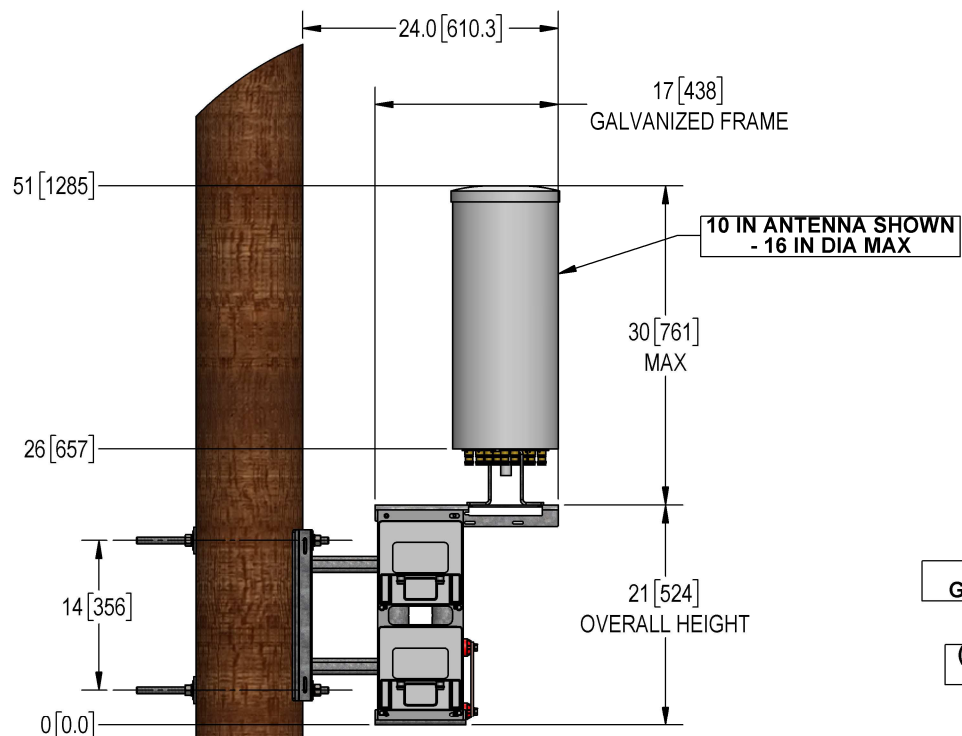
D

D



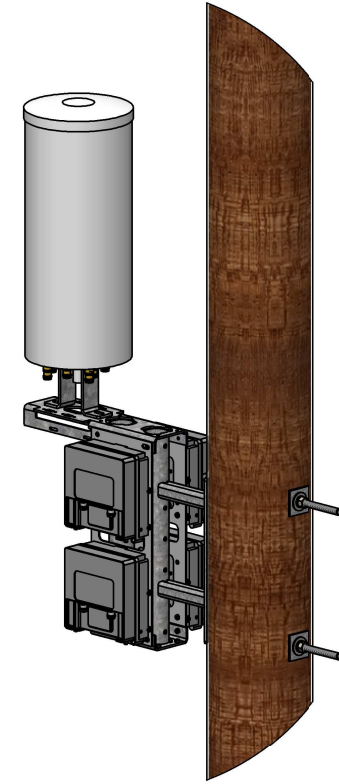
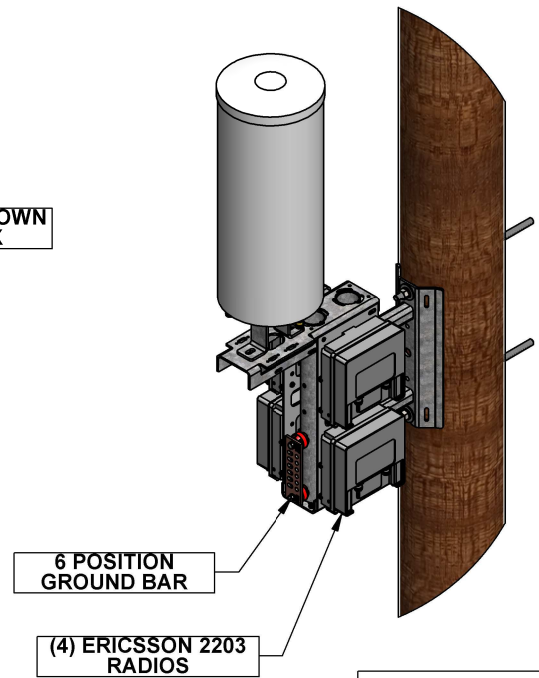
C

C



B

B



A

A

DENSITY	0.02	lbs/in ³
MASS	184.22	lbs
VOLUME	8564.01	in ³
SURFACE AREA		in ²
HEIGHT		
LENGTH		
WIDTH		

COMMScope, INC. OF NORTH CAROLINA

TOLERANCES		SAP MATERIAL MASTER	
0 PLACE	X ± .25	2 PLACE	XX ± .06
1 PLACE	X ± .12	ANGLES	± 2°
FINISH		MATERIAL	
STD GALVANIZED		A36, AL 5052	
UNLESS OTHERWISE SPECIFIED DIMENSIONS ARE IN MILLIMETERS DIMENSIONS IN PARENTHESES ARE HALF-DIMENSIONS UNLESS OTHERWISE SPECIFIED VOLUMES 1 & 2, THIRD EDITION (2012)		NAME	DATE
CE	MP	12/04/18	TITLE
RW			METROCELL, POLE BRACKET KIT, 4X 2203-NO SHROUD
RV			
AD			
RE			
ECN			
SCALE		DOCUMENT NO.	
1:16		SSC760242658NS PICO	
SIZE	WORK AREA	MODEL	
C		VERSION	DRAWING
		STATUS	REVISION
		VERSION	REVISION
		STATUS	REVISION
			A
			SHEET
			1 OF 1

4

3

2

1