

1. GENERAL NOTES

- 1.1 ALL METRIC DIMENSIONS ARE IN BRACKETS
- 1.2 FEATURES CRITICAL TO QUALITY ARE INDICATED IN ROUNDED BOX (X.X)
- 1.3 ANTENNA NOT SUPPLIED, SHOWN FOR REFERENCE ONLY

2. DESIGN NOTES

3. MANUFACTURING/SPECIAL REQUIREMENT

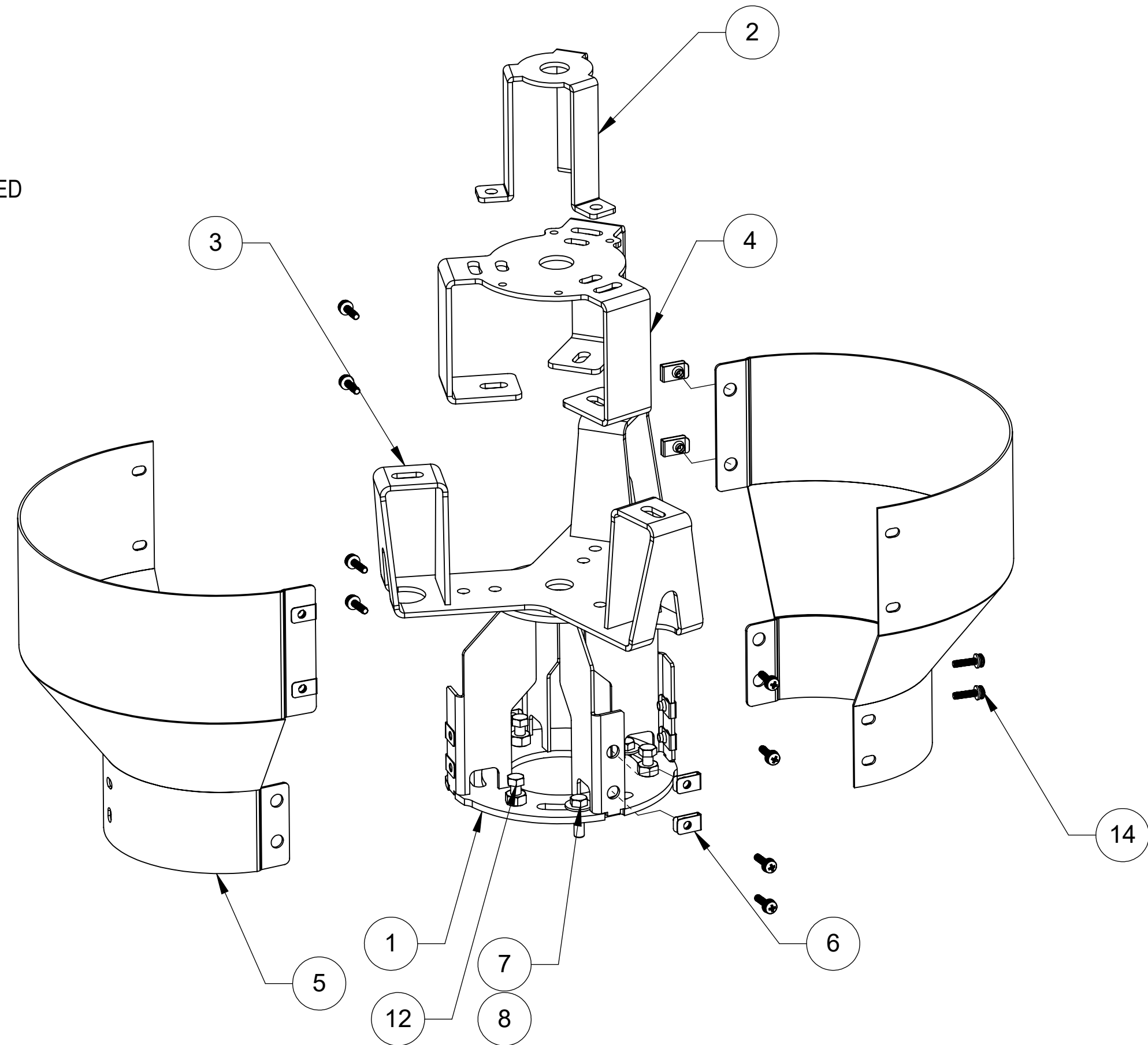
- 3.1 THE FINISHED ITEM IS A SERIES ASSEMBLY. A -XX FINISH SUFFIX REPRESENTS SPECIFIC COLOR/FINISH. REFER TO METROCELL DOCUMENT MTM1004 FOR SPECIFIC REQUIREMENTS
- 3.2 SHEETS 2-3 ARE CUSTOMER ASSEMBLY INSTRUCTIONS

4. TEST

5. PACKAGING

- 5.1 PLACE IN PLASTIC BAG FOR CUSTOMER INSTALLATION.
- 5.2 PRINTED DOCUMENT TO BE PLACED INSIDE SHIPPING BOX.
- 5.3 8X CLIPNUTS TO BE INSTALLED TO THE WELDMENT AND REMAINING 4X TO BE INSTALLED TO THE TRANSITION COVERS PRIOR TO SHIPMENT

REVISIONS				
REV.	ECN	DESCRIPTION	BY	DATE
A	8000029391	INITIAL RELEASE	MSM	04/16/18
B	8000031837	UPDATE NOTES, ADD ITEMS 7-11	MSM	10/2/2018
C	8000032487	UPDATE MTC391231, ADD 3/8" FW	MSM	11/9/2018
D	8000034421	UPDATE MTC391231	GR1010	3/14/2019
E	8000032953	ADD MTM1066-1103	GR1010	3/25/2019
F	8000038004	SEVERAL BOM UPDATES	JP1130	01/17/2020

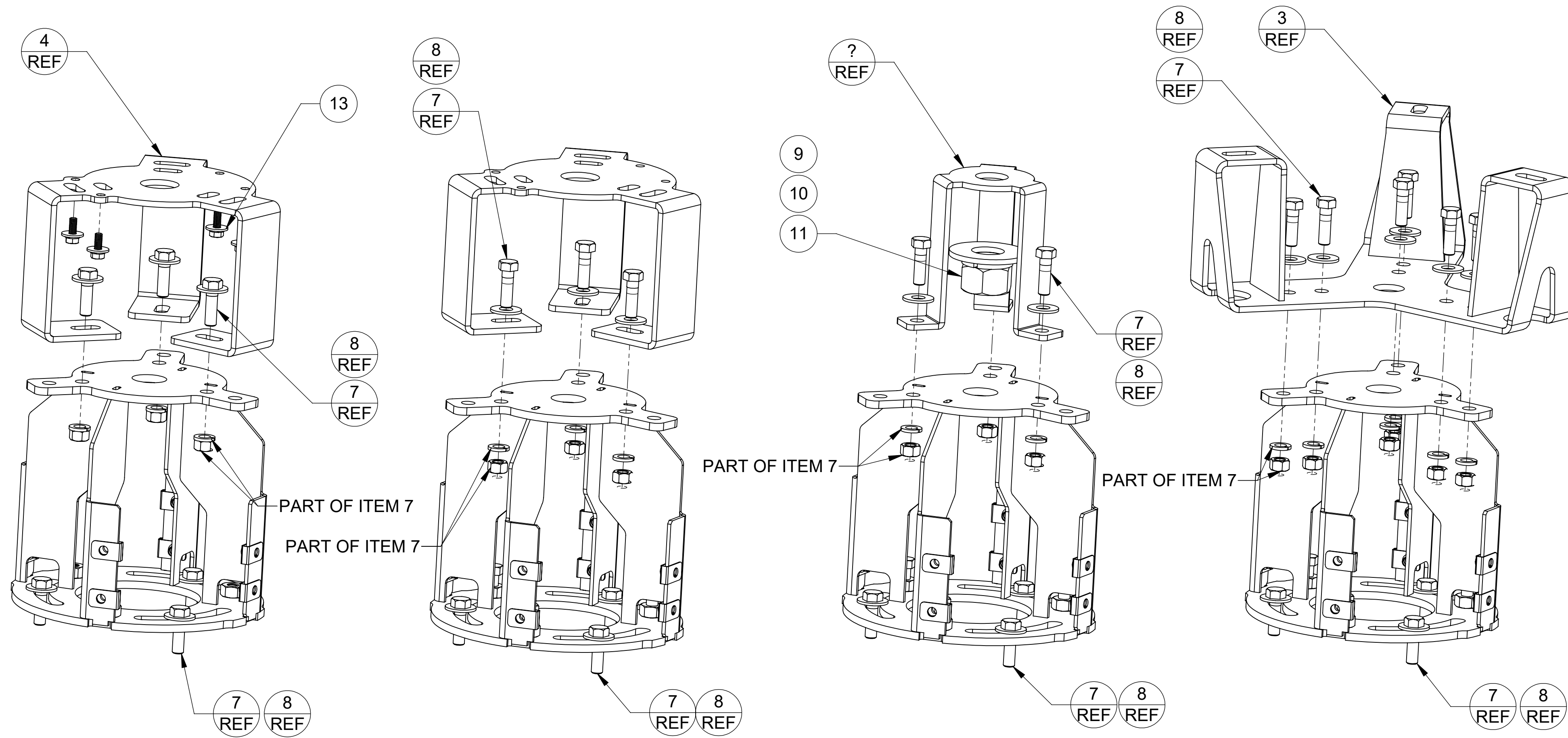


ITEM NO.	PART NUMBER	DESCRIPTION	QTY.	NOTE
1	MTM1099-1100	WELDMNT, STANDALONE K-MOUNT	1	
2	MTC3912123702	ANTENNA MOUNT	1	
3	MTM1099-1203	JMA/CS ADAPTER BRACKET	1	
4	MTM1099-1204	AMP/ACE ADAPTER BRACKET	1	
5	MTM1090-1040-XX	WLDMNT, TRANS, TOP 8-14.5, P	2	
6	460143456	CLIP NUT, M6, 316 SST	12	5.3
7	GB-03125	3/8" X 1-1/4" GALV BOLT KIT	9	5.1
8	GWF-03	3/8" GALV FLAT WASHER	9	5.1
9	GWF-08	1" Galv Flat Washer	1	5.1
10	GWL-08	1" GALV LOCK WASHER	1	5.1
11	9999-1	NUT,HEX,1-14,SST,PASS	1	5.1
12	SB-0310	3/8" X 1" SS BOLT	3	5.1
13	460155492	SEMS, HCS M6 X 16MM WITH CAPTIVE WASHERS	4	5.1
14	100117-4	FA,SEMS,PH,XRES,M6X25,SST,PASS	12	5.1
15	MTM100528-XX	REFERENCE DOCUMENT	1	5.2

DENSITY	0.16	lbs/in ³
MASS	15.05	lbs
VOLUME	38.98	in ³
SURFACE AREA		in ²
HEIGHT	12	
LENGTH	14.5	
WIDTH	14.5	

COMMSCOPE, INC. OF NORTH CAROLINA			
TOLERANCES		SAP MATERIAL MASTER	
0 PLACE X ± .25	2 PLACE .XX ± 0.06	MTM100528-XX	
1 PLACE .X ± 0.12	ANGLES ± 2°		
FINISH SEE NOTES		MATERIAL N/A	
UNLESS OTHERWISE SPECIFIED DIMENSIONS ARE IN INCHES INTERPRET PER ANSI Y 14.5M-1994	NAME	DATE	TITLE
	CE JP1130	01/17/2020	ANTENNA MOUNT, 8" POLE, AMPHENOL 14.6"OD
	RW JP1130	01/29/2020	
	RV		
	AD AG1119	01/29/2020	
RE JP1130	01/29/2020		
ECN 8000038004	SCALE 1:4	DOCUMENT NO. MTM100528	
SIZE WORK AREA 24	MODEL		DRAWING
C	VERSION 01	STATUS RE	REVISION F
	VERSION 01	STATUS RE	REVISION F
			SHEET 1 OF 3

CUSTOMER ASSEMBLY INSTRUCTIONS



ACE ANTENNAS

USE QTY 6 OF ITEM # 7, 8.
DISCARD UNUSED ITEMS

AMPHENOL / GAMMA NU ANTENNAS

USE QTY 6 OF ITEM # 7, 8.
DISCARD UNUSED ITEMS

GALTRONICS ANTENNAS

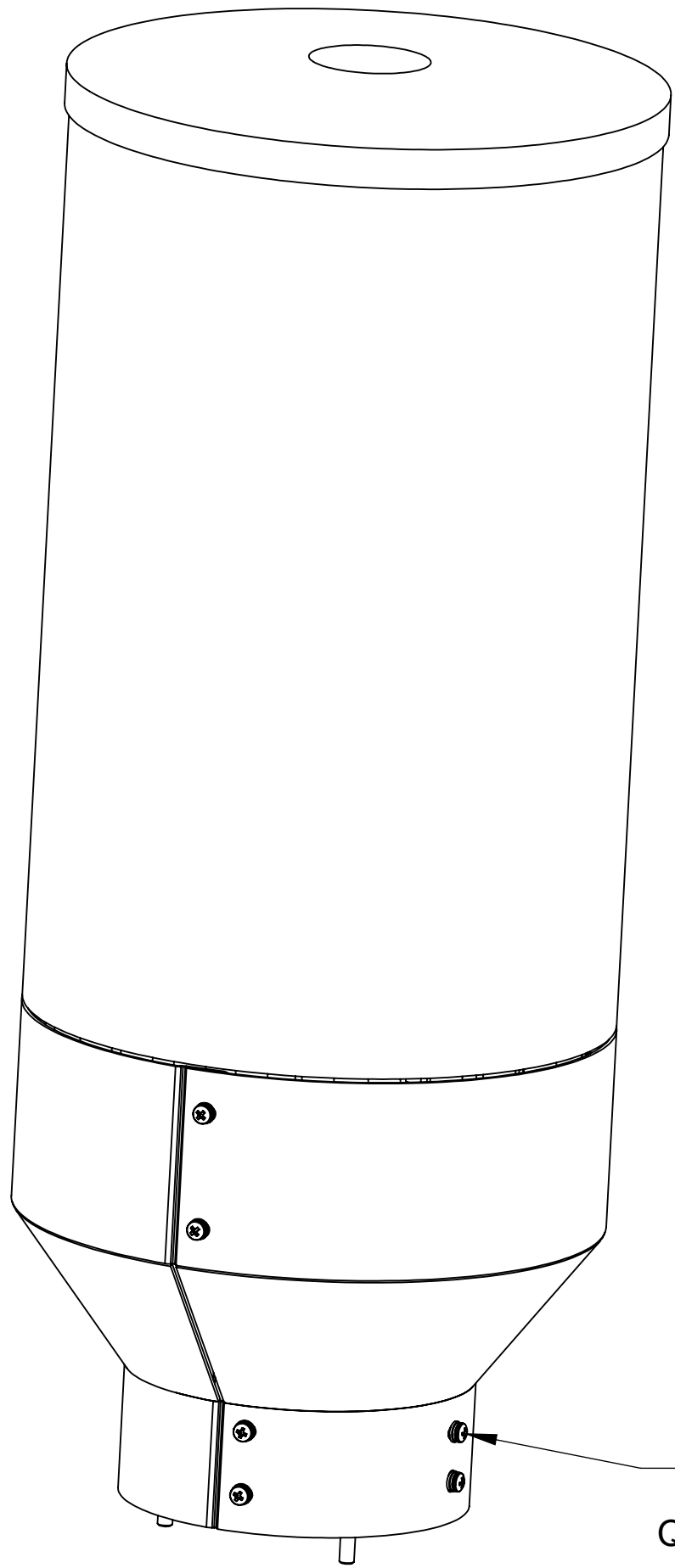
USE QTY 6 OF ITEM # 7, 8.
DISCARD UNUSED ITEMS

JMA / COMMSCOPE ANTENNAS

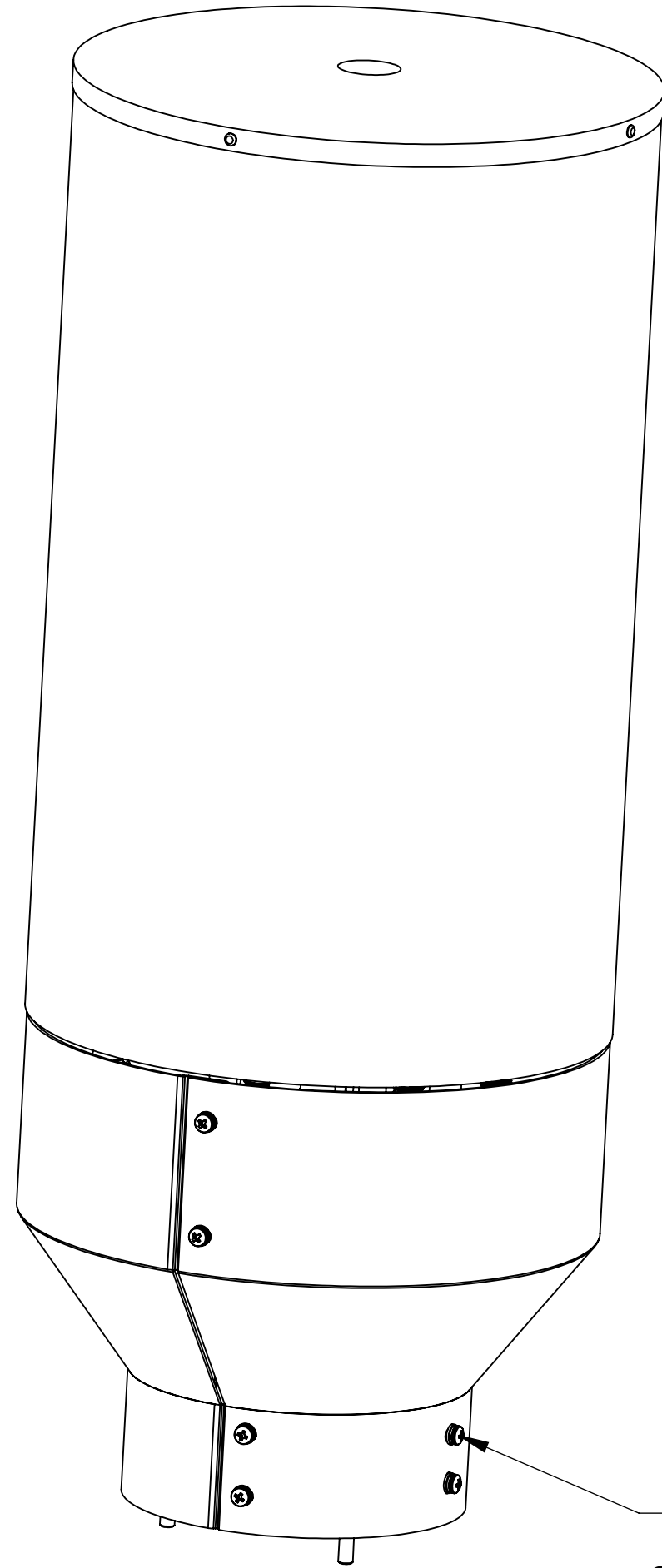
USE QTY 9 OF ITEM # 7, 8.

COMMSCOPE, INC. OF NORTH CAROLINA			
TITLE ANTENNA MOUNT, 8" POLE, AMPHENOL 14.6"OD			
SIZE C	SCALE 1:8	DOCUMENT NO. MTM100528	
DRAWING			SHEET
VERSION 09	STATUS RE	REVISION F	2 OF 3

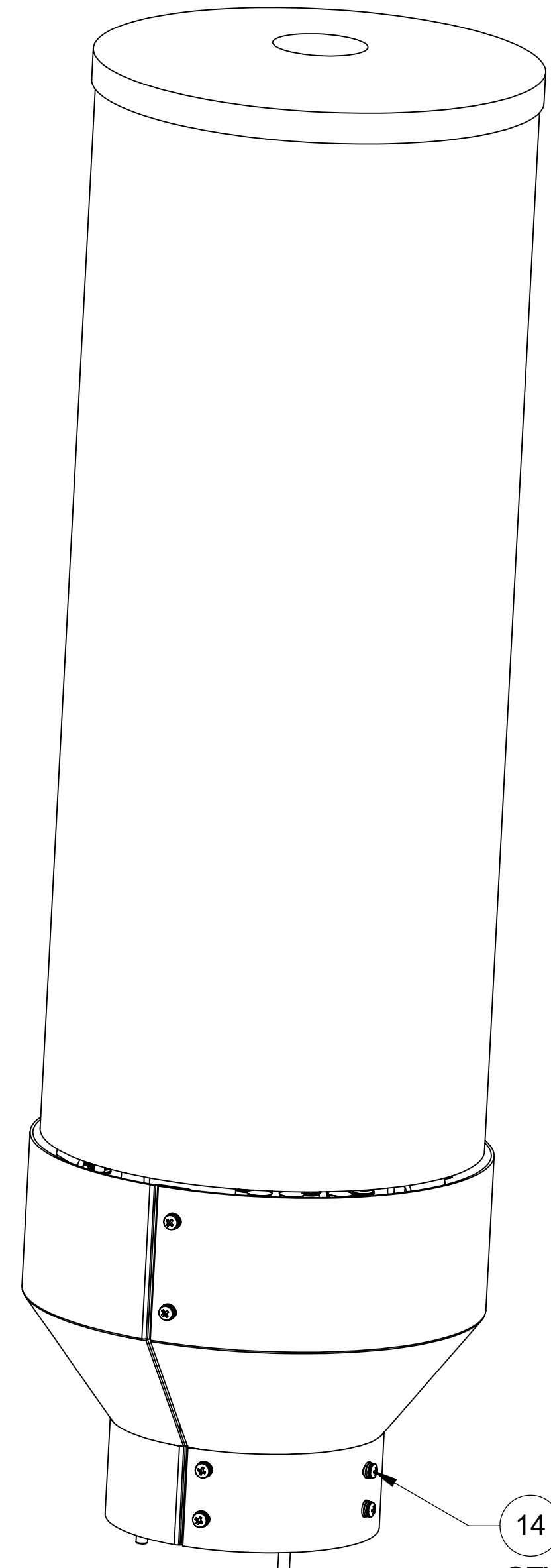
CUSTOMER ASSEMBLY INSTRUCTIONS




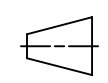
ACE / AMPHENOL / GAMMA NU ANTENNAS



GALTRONICS ANTENNAS



JMA / COMMSCOPE ANTENNAS

COMMSCOPE, INC. OF NORTH CAROLINA				
TITLE ANTENNA MOUNT, 8" POLE, AMPHENOL 14.6"OD				
SIZE C	SCALE 1:8	DOCUMENT NO. MTM100528		
 		DRAWING		SHEET 3 OF 3
		VERSION 09	STATUS RE	