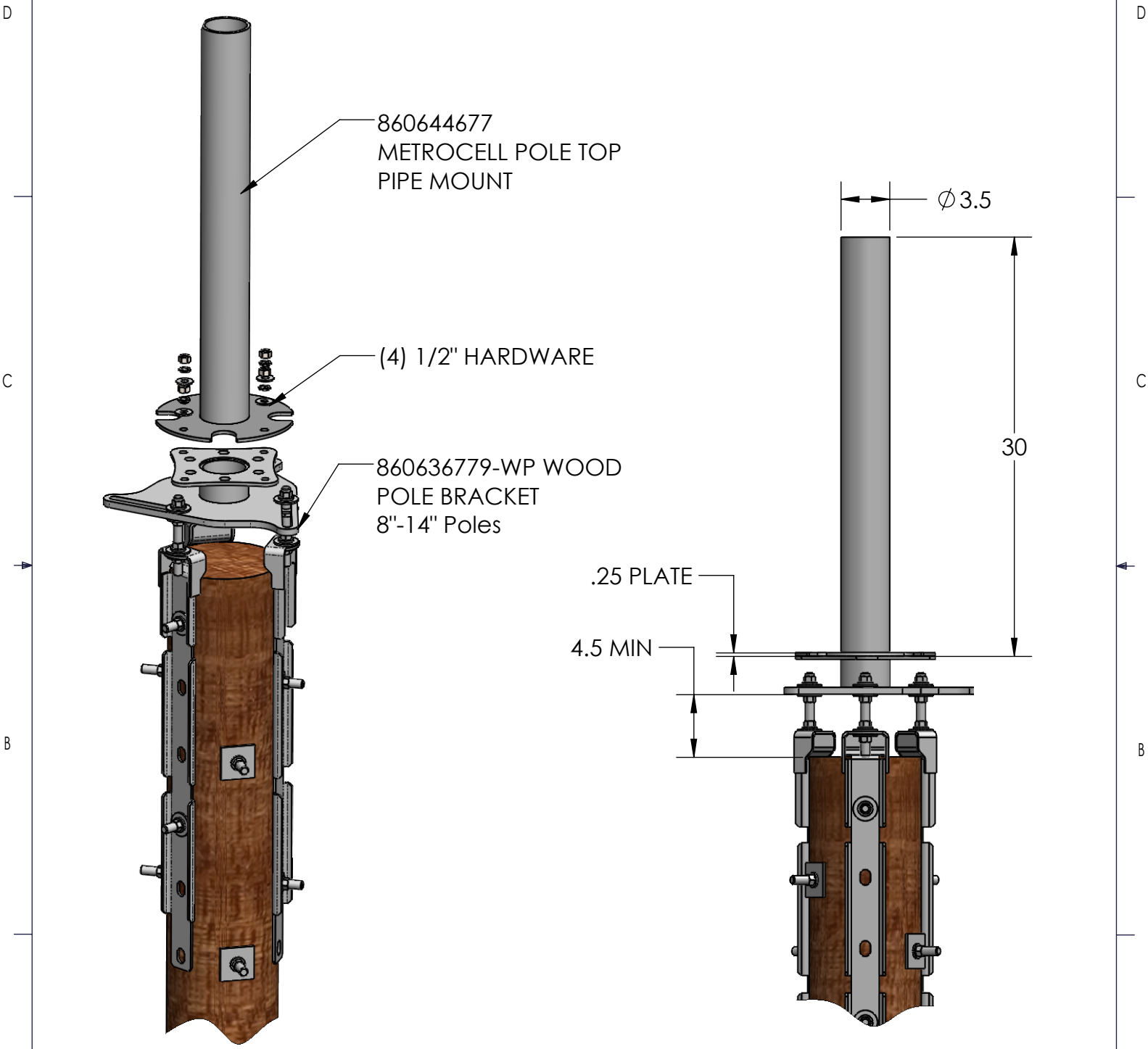


| REVISIONS | | | |
|-----------|---------------------------|------------|----------|
| REV. | DESCRIPTION | DATE | APPROVED |
| C | UPDATED WOOD POLE BRACKET | 03/13/2020 | JDH |



These drawings and specifications are the proprietary property of CommScope Inc. and may be used only for the specific purpose authorized in writing by CommScope Inc.

ALL DIMENSIONS ARE IN INCHES U.O.S.
TOLERANCES UNLESS OTHERWISE SPECIFIED:

.X = ± ANGLES ±2°
.XX = ± FRACTIONS ±1/32
.XXX = ±

REMOVE BURRS AND BREAK EDGES .005

DO NOT SCALE THIS PRINT

| | |
|------------------|------------------|
| DRAWN BY: MJP | SHEET: 1 of 1 |
| CHECKED BY: | SCALE: |
| DATE: | MATERIAL: |
| REVISION: A | FINISH: |
| | WEIGHT: |

| |
|--|
| PART NUMBER: 860644677-5GKIT |
| DESCRIPTION: WOOD POLE 5G, 8"-14" Pole Diameter |
| DRAWING TYPE: |
| COMMScope® |