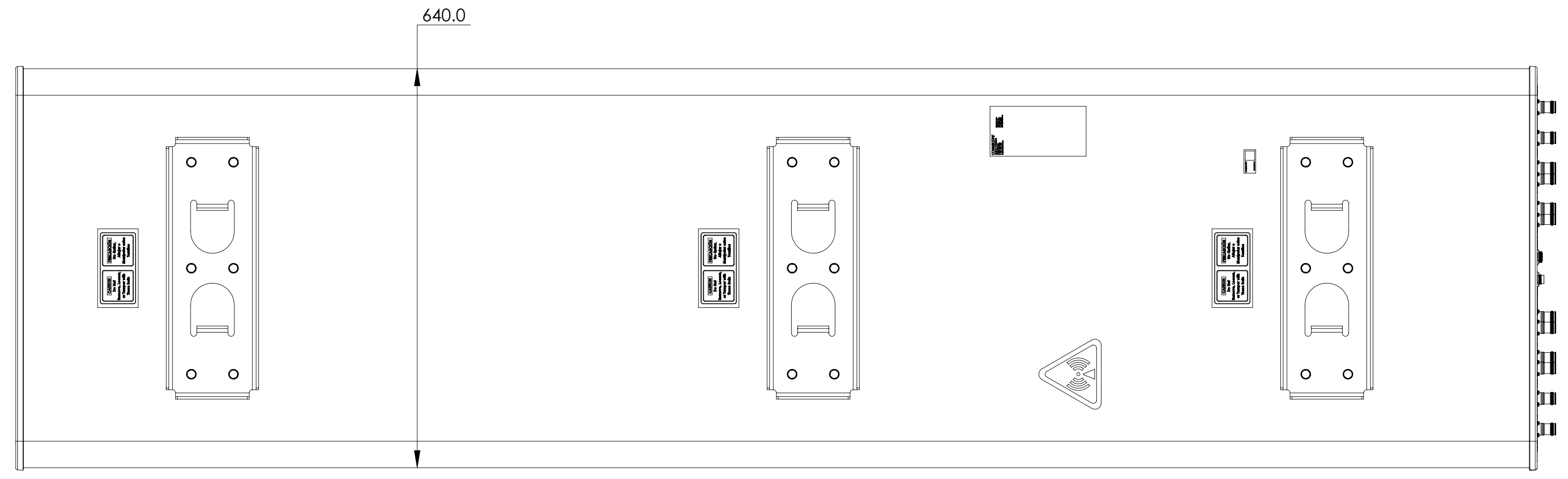
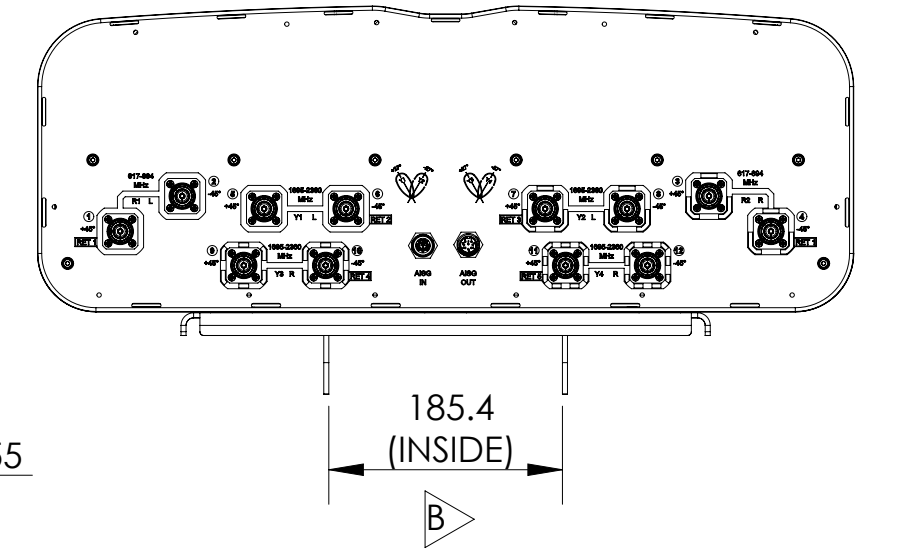
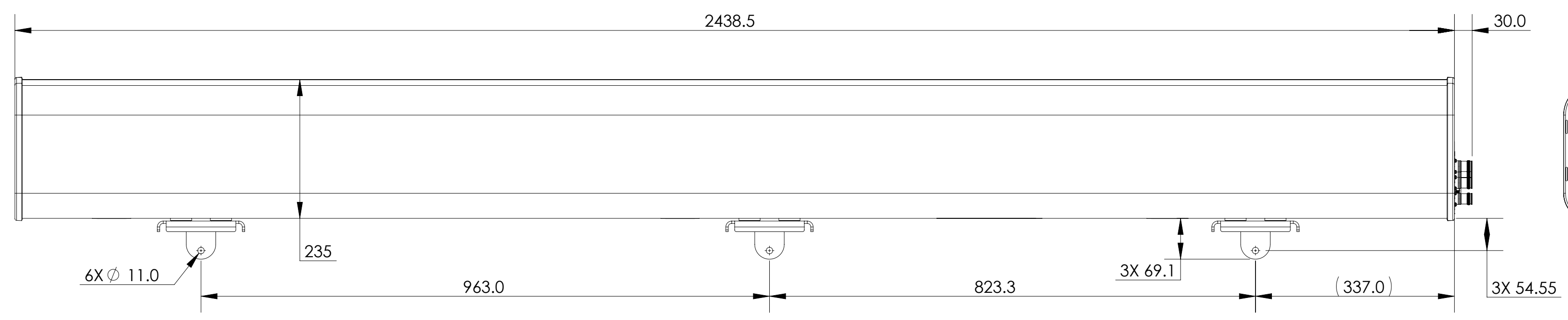


REVISIONS			
REV.	DESCRIPTION	DATE	APPROVED
A	ECR 8000041907: RELEASE TO PRODUCTION PER EAO 608543.	29DEC20 SP	KJ/SD
B	ECR 10373PC: MODEL UPDATED.	02MAR21 SP	YS/KKS



B FF2HH-6533C-R5

**COMMSCOPE, INC. OF NORTH CAROLINA**

TOLERANCES		SAP MATERIAL MASTER							
0 PLACE X ±	2 PLACE .XX ±								
1 PLACE .X ±	ANGLES ±								
FINISH		MATERIAL							
<small>UNLESS OTHERWISE SPECIFIED DIMENSIONS ARE IN MILLIMETERS INTERPRET PER ISO STANDARDS HANDBOOK TECHNICAL DRAWINGS VOLUMES 1 &amp; 2, THIRD EDITION (2002)</small>		NAME	DATE						
		CE PS1111	29DEC20						
		RW PS1111	03/02/2021						
		RV KJ1016	01/11/2021						
		AD KJ1016	03/02/2021						
RE AK1095	03/02/2021	<b>PRODUCT DRAWING</b>							
ECN 10373PC									
SCALE	DOCUMENT NO.								
<b>1:8</b>	<b>FF2HH-6533C-R5-L</b>								
SIZE	WORK AREA	BSA	MODEL						
<b>A2</b>			VERSION	STATUS	REVISION	VERSION	STATUS	REVISION	SHEET
			01	RE	B	01	RE	B	1 OF 1