



FIST® EDSA2 Fiber Optic Splice Closure, Gel Cable Sealing, for high splice tray capacity, without test valve

- Single-ended base with two-latches dome design and reliable cable attachment system
- One oval shaped gel-sealed wrap around feeder port for up to two feeder cables or microtubes
- Four long oval-shaped gel-sealed wrap around drop ports for up to twelve drop cables each
- One round entry/exit port for use with multi-out gel seal kits
- Fast, easy and toolless installation based upon the FIST fiber management system
- Intuitive identification capabilities and full repair/upgrade possibilities

Product Classification

| | |
|------------------------------|--|
| Regional Availability | Australia/New Zealand EMEA Latin America |
| Product Type | Single-ended, rectangular fiber closure |
| Product Brand | FIST® |
| Product Series | FIST-EDSA2 |
| Ordering Note | Splice tray kits, mounting bracket and drop seals to be ordered separately |

General Specifications

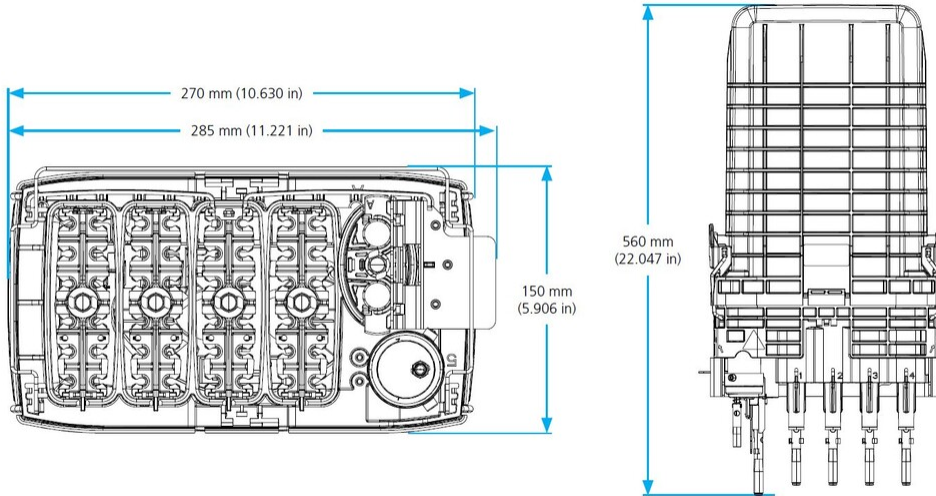
| | |
|--|--|
| Cable Entry Drop Port Style | Gel block |
| Cable Entry Main Port Style | Gel block |
| Cable Ports Quantity, total | 1 oval port (2 cables) + 5 multi-out ports (64 cables) |
| Cable Sealing Type | Compressed gel |
| Closure Sealing Type | Side latch |
| Closure Style | Single-ended |
| Color | Black |
| Flash Test Valve | None |
| Mounting | Handhole Manhole Wall |
| Network Area Type | Distribution Drop |
| Splice Tray Included, quantity | 0 |
| Splice Tray Type Included | No trays |
| Splicing Capacity, Single Fusion, maximum | 288 |
| Splicing Type, Supported | Single fusion |

Dimensions

760251580 | FIST-EDSA2-D5H-N

| | |
|-------------------------------------|--------------------|
| Height | 150 mm 5.906 in |
| Width | 270 mm 10.63 in |
| Length | 560 mm 22.047 in |
| Main Cable Diameter, maximum | 16 mm 0.63 in |

Dimension Drawing



Splicing Configuration

| | Standard splice version D5 | | High capacity splice version D5H | |
|---|----------------------------|--------|----------------------------------|--------|
| | Trays | Fibers | Trays | Fibers |
| UMS units | 16 | | 24 | |
| Single circuit cassettes SC (up to 4 splices) | 16 | 64 | 24 | 96 |
| Single element cassettes SE (up to 12 splices) | 8 | 96 | 12 | 144 |
| Single element cassettes slim SLE (up to 12 splices) | 16 | 192 | 24 | 288 |

Material Specifications

760251580 | FIST-EDSA2-D5H-N

Material Type Impact-resistant polymer

Environmental Specifications

Environmental Space Above ground | Aerial | Below ground | Buried

Qualification Standards IEC 60529, IP68 + 2 m waterhead

Water Resistance 20 kPa

Packaging and Weights

Packaging quantity 1

Packaging Type Box | Carton

Regulatory Compliance/Certifications

| Agency | Classification |
|---------------|--|
| CHINA-ROHS | Above maximum concentration value |
| ISO 9001:2015 | Designed, manufactured and/or distributed under this quality management system |
| ROHS | Compliant/Exempted |

