

# MHBD-FOK1A

---



Hardened Multifiber Optical Connector (HMFOC) cable assembly, HMFOC plug to 12 LC Simplex, 12-fiber

## Product Classification

<b>Product Type</b>	Fiber drop cable assembly
<b>Product Series</b>	MHBD
<b>Ordering Note</b>	For custom cable assembly lengths, please contact your local CommScope representative

## General Specifications

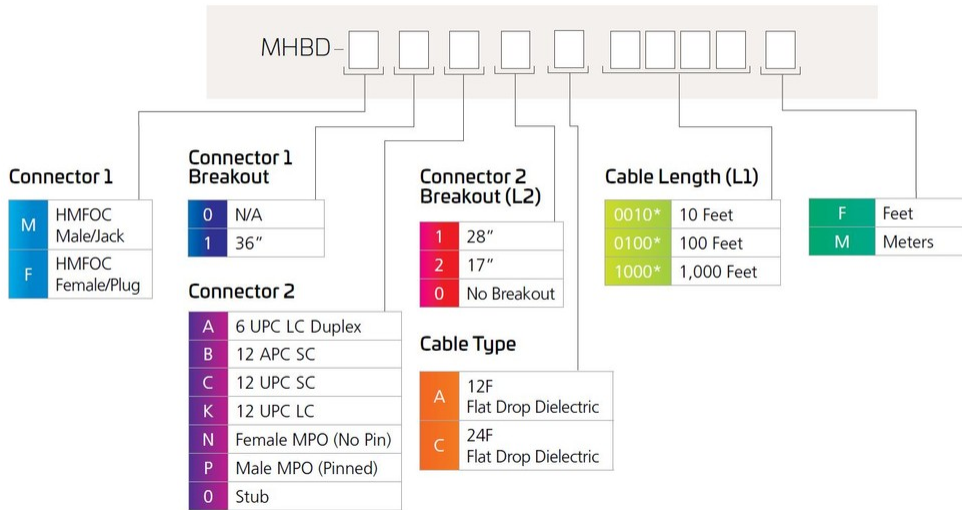
<b>Cable Type</b>	Dielectric - Flat
<b>Connector A, quantity</b>	1
<b>Color, boot A</b>	Black
<b>Color, connector A</b>	Black
<b>Connector B, quantity</b>	12
<b>Color, boot B</b>	White
<b>Color, connector B</b>	Blue
<b>Interface, Connector A</b>	Hardened multi-fiber (HMFOC) plug
<b>Interface Feature, connector A</b>	Female
<b>Interface, Connector B</b>	LC/UPC
<b>Jacket Color</b>	Black
<b>Total Fibers, quantity</b>	12

## Dimensions

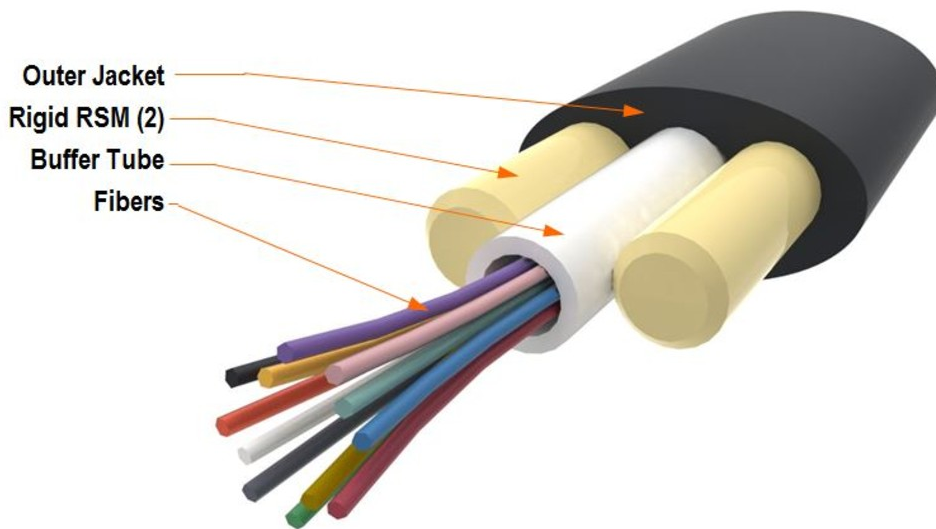
<b>Breakout Length, connector B</b>	28 in   711.2 mm
<b>Cable Assembly Length Range (m)</b>	1 – 900
<b>Cable Assembly Length Range (ft)</b>	10 – 1000
<b>Cable Outer Diameter</b>	4.5 x 8.0 mm (0.18 x 0.31 in)

## Ordering Tree

# MHBD-FOK1A



## Representative Image



## Mechanical Specifications

<b>Minimum Bend Radius, loaded</b>	88.9 mm   3.5 in
<b>Minimum Bend Radius, unloaded</b>	63.5 mm   2.5 in

## Optical Specifications

<b>Fiber Mode</b>	Singlemode
<b>Fiber Type</b>	G.657.A2, TeraSPEED®

# MHBD-FOK1A

---

<b>Insertion Loss, maximum, connector A</b>	0.45 dB
<b>Insertion Loss, maximum, connector B</b>	0.4 dB
<b>Return Loss, minimum, connector A</b>	65 dB
<b>Return Loss, minimum, connector B</b>	55 dB

## Environmental Specifications

<b>Installation temperature</b>	-30 °C to +70 °C (-22 °F to +158 °F)
<b>Operating Temperature</b>	-40 °C to +70 °C (-40 °F to +158 °F)
<b>Storage Temperature</b>	-40 °C to +75 °C (-40 °F to +167 °F)
<b>Environmental Space</b>	Outdoor, buried
<b>Jacket UV Resistance</b>	UV stabilized

## Packaging and Weights

<b>Packaging quantity</b>	1
---------------------------	---