



RealFlex® 3 Fiber Optic Drop Cable Assembly, SC/APC to stub, RBR Plenum, Ivory

- Allow for a fiber bend radius as small as 7.5 millimeters without changing attenuation characteristics, and improve the insertion loss (IL) performance for 90-degree bend locations
- Indoor/outdoor cable available in both riser and plenum cable types for use in residential, business or MDU (multiple dwelling unit) structures
- Cables can also be stapled, (using CommScope-approved staplers and staples), allowing fast and easy securing of cables to most surfaces
- Rugged 3-millimeter cable construction provides the flexibility and durability to withstand the most demanding applications

Product Classification

Regional Availability	Latin America North America
Portfolio	CommScope®
Product Type	Fiber drop cable assembly
Product Brand	RealFlex®
Product Series	MDC
Ordering Note	For custom cable assembly lengths, please contact your local CommScope representative

General Specifications

Cable Type	Stapleable - Round
Connector A, quantity	1
Color, boot A	Green
Color, connector A	Green
Interface, Connector A	SC/APC
Interface Feature, connector A	Male
Interface, Connector B	Unterminated
Jacket Color	Ivory
Total Fibers, quantity	1
Transmission Standards	TIA/EIA-568-B.3

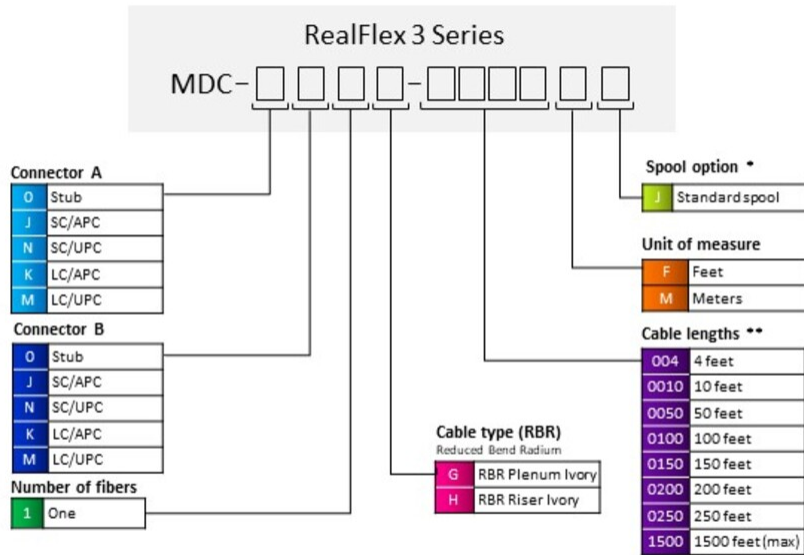
Dimensions

Cable Assembly Length Range (ft)	1 – 1500
---	----------

MDC-J01G

Cable Outer Diameter 2.9 mm (0.11 in)

Ordering Tree



*Drops are automatically coiled 0-350 ft. Lengths 351+ are automatically spooled. Connector A deploys first. Add option J if spool is required for lengths 350ft or less.
 **Cable length shown as an example; additional cable lengths available upon request up to 1500 ft

Mechanical Specifications

Minimum Bend Radius, loaded	50 mm 1.969 in
Minimum Bend Radius, unloaded	30 mm 1.181 in
Tensile Load, long term, maximum	30 N 6.744 lbf
Tensile Load, short term, maximum	100 N 22.481 lbf

Optical Specifications

Fiber Mode	Singlemode
Fiber Type	G.657.A2/B2
Insertion Loss, maximum, connector A	0.4 dB
Return Loss, minimum, connector A	65 dB

Environmental Specifications

MDC-J01G

Installation temperature	-20 °C to +60 °C (-4 °F to +140 °F)
Operating Temperature	-40 °C to +70 °C (-40 °F to +158 °F)
Storage Temperature	-40 °C to +75 °C (-40 °F to +167 °F)
Environmental Space	Plenum
Qualification Standards	Telcordia GR-449-CORE

Packaging and Weights

Packaging quantity	1
---------------------------	---

Regulatory Compliance/Certifications

Agency	Classification
CHINA-ROHS	Above maximum concentration value
REACH-SVHC	Compliant as per SVHC revision on www.commscope.com/ProductCompliance
ROHS	Compliant/Exempted
UK-ROHS	Compliant/Exempted

