

# FHBDW-H2M22

---



## HELIAX® Discrete Fiber LC DU to OPTITAP

### Product Classification

<b>Regional Availability</b>	Asia   Australia/New Zealand   EMEA   Latin America   North America
<b>Product Type</b>	Wireless Fiber Cable Assemblies
<b>Product Brand</b>	HELIAX®
<b>Product Series</b>	FHBDW
<b>Ordering Note</b>	ANDREW® non-standard product

### General Specifications

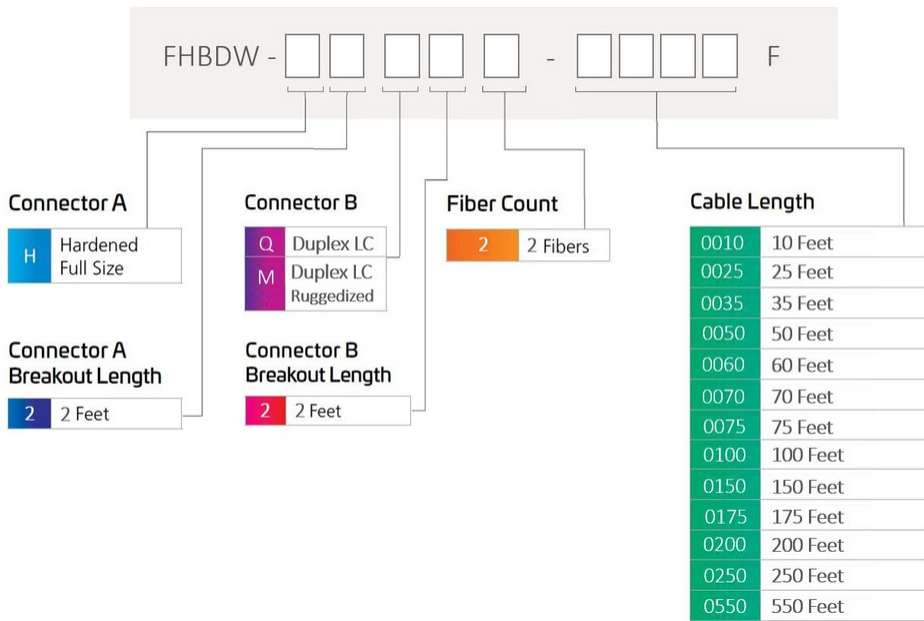
<b>Cable Type</b>	Dielectric - Round
<b>Connector A, quantity</b>	2
<b>Color, boot A</b>	Black
<b>Color, connector A</b>	Black
<b>Connector B, quantity</b>	2
<b>Color, boot B</b>	White
<b>Color, connector B</b>	Blue
<b>Interface, Connector A</b>	SC/APC
<b>Interface Feature, connector A</b>	Male
<b>Interface, Connector B</b>	LCC plug
<b>Interface Feature, connector B</b>	Duplex
<b>Jacket Color</b>	Black
<b>Total Fibers, quantity</b>	2

### Dimensions

<b>Breakout Length, connector A</b>	609.6 mm   24 in
<b>Breakout Length, connector B</b>	609.6 mm   24 in
<b>Cable Assembly Length Range (ft)</b>	1 – 200

# FHBDW-H2M22

## Ordering Tree



## Mechanical Specifications

**Minimum Bend Radius, furcation** 61 mm | 2.402 in

## Optical Specifications

**Fiber Type** G.657.A2

**Insertion Loss, typical note** Insertion loss is measured at 1310 and 1550 nm

**Insertion Loss, maximum, connector A** 0.4 dB

**Insertion Loss, maximum, connector B** 0.4 dB

**Return Loss, minimum, connector A** 65 dB

**Return Loss, minimum, connector B** 60 dB

## Environmental Specifications

**Operating Temperature** -40 °C to +70 °C (-40 °F to +158 °F)

**Environmental Space** Outdoor

## Packaging and Weights

**Packaging quantity** 1

# FHBDW-H2M22

---

\* Footnotes

**Insertion Loss, typical note** Insertion loss is measured at a room temp of +20°C (+68°F)

