

# FHBD-H040004A



## Fiber Optic Drop Cable Assembly, 4 Fiber, Hardened Full Size with 4 ft breakout to stub, Flat Dielectric Cable

- Hardened connectors are factory-terminated and environmentally sealed for use in optical drop cable deployments
- Hardened drop cables incorporate hardened connector technology that is designed to withstand the rugged outside plant environment
- Hardened drop cables simplify installation and maintenance by reducing splicing requirements in the distribution portion of the network
- \*Product complies with the Build America, Buy America Act (BABAA) requirements of the Infrastructure Investment and Jobs Act of 2021 (Pub. L. 117- 58, §§ 70901-70953), or is the subject of a waiver approved by the Secretary of Commerce or designee. Compliance requirements and waiver applicability vary based on government funding program. Check the laws and regulations for your specific program.

## Product Classification

<b>Regional Availability</b>	Asia   Australia/New Zealand   EMEA   Latin America   North America
<b>Product Type</b>	Fiber drop cable assembly
<b>Product Series</b>	FHBD
<b>Government Requirements</b>	Build America Buy America (BABA) compliant*

## General Specifications

<b>Cable Type</b>	Dielectric - Flat
<b>Connector A, quantity</b>	4
<b>Color, boot A</b>	Black
<b>Color, connector A</b>	Green
<b>Interface, Connector A</b>	Hardened full-size SC/APC
<b>Interface Feature, connector A</b>	Male
<b>Interface, Connector B</b>	Unterminated
<b>Jacket Color</b>	Black
<b>Location of Manufacturing</b>	Catawba, North Carolina
<b>Total Fibers, quantity</b>	4
<b>Transmission Standards</b>	IEC 61753-1   IEC 61754-4   IEC 61755

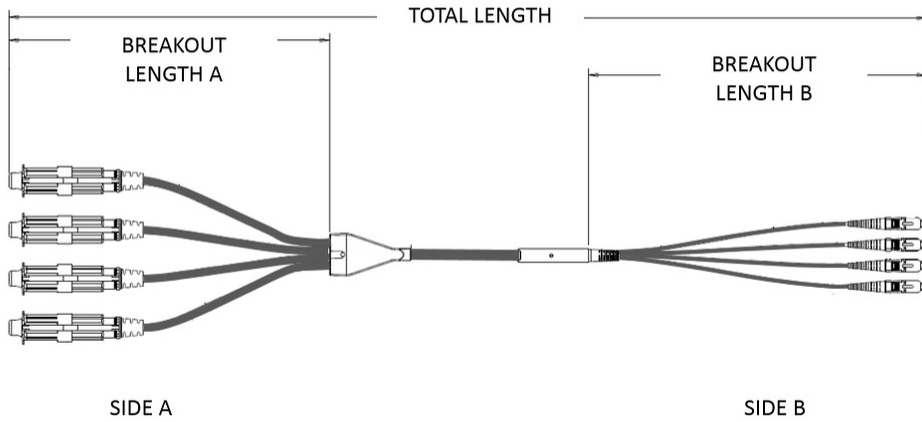
## Dimensions

<b>Breakout Length, connector A</b>	1,219.2 mm   48 in
-------------------------------------	--------------------

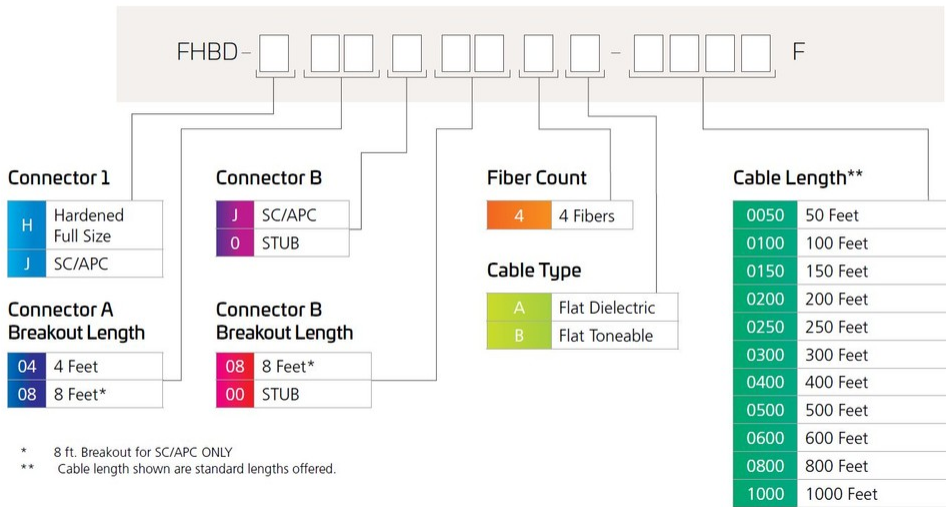
# FHBD-H040004A

<b>Cable Assembly Length Range (ft)</b>	50 – 1000
<b>Cable Outer Diameter</b>	4.3 x 8.0 mm (0.17 x 0.31 in)

## Outline Drawing

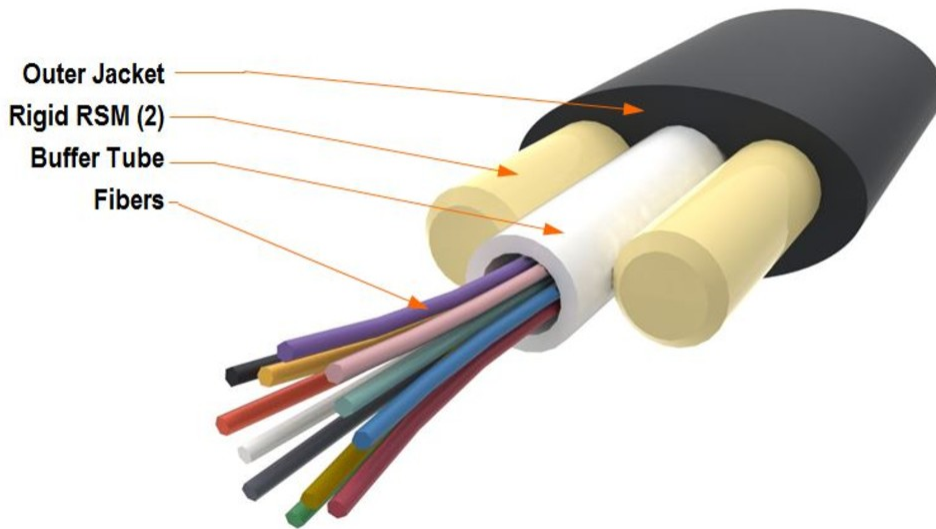


## Ordering Tree



## Representative Image

# FHBD-H040004A



## Mechanical Specifications

<b>Minimum Bend Radius, loaded</b>	86 mm   3.386 in
<b>Minimum Bend Radius, unloaded</b>	81 mm   3.189 in
<b>Tensile Load, long term, maximum</b>	400 N   89.924 lbf
<b>Tensile Load, short term, maximum</b>	1334 N   299.895 lbf

## Optical Specifications

<b>Fiber Mode</b>	Singlemode
<b>Fiber Type</b>	G.652.D
<b>Insertion Loss, maximum, connector A</b>	0.4 dB
<b>Return Loss, minimum, connector A</b>	65 dB

## Environmental Specifications

<b>Operating Temperature</b>	-40 °C to +70 °C (-40 °F to +158 °F)
<b>Storage Temperature</b>	-40 °C to +75 °C (-40 °F to +167 °F)
<b>Environmental Space</b>	Outdoor
<b>Jacket UV Resistance</b>	UV stabilized
<b>Qualification Standards</b>	NEMA type 6, 10 ft waterhead   Telcordia GR-20   Telcordia GR-3120   Telcordia GR-326

# FHBD-H040004A

---

## Packaging and Weights

**Cable weight** 38.7 kg/km | 26.005 lb/kft

**Packaging quantity** 1

## Regulatory Compliance/Certifications

### Agency

### Classification

CHINA-ROHS

Below maximum concentration value

ROHS

Compliant

UK-ROHS

Compliant

