



Fiber Optic Indoor Drop Cable Assembly, SC/APC to Stub, 3mm, 50M

Product Classification

| | |
|------------------------------|---|
| Regional Availability | EMEA |
| Product Type | Fiber drop cable assembly |
| Product Series | FID |
| Ordering Note | For custom cable assembly lengths, please contact your local CommScope representative |

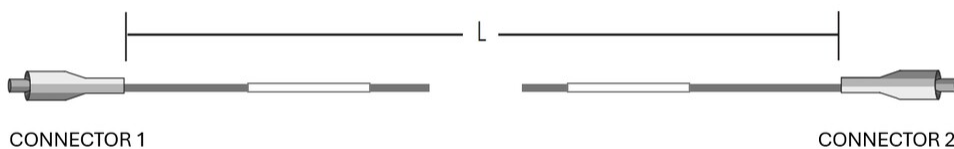
General Specifications

| | |
|---------------------------------------|--------------------|
| Cable Type | Stapleable - Round |
| Connector A, quantity | 1 |
| Color, boot A | Green |
| Color, connector A | Green |
| Interface, Connector A | SC/APC |
| Interface Feature, connector A | Male |
| Interface, Connector B | Unterminated |
| Jacket Color | Ivory |
| Total Fibers, quantity | 1 |

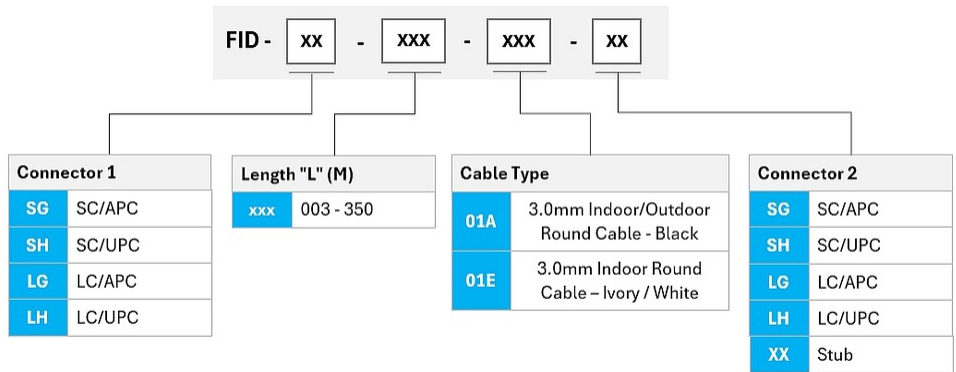
Dimensions

| | |
|------------------------------|-------------------|
| Cable Assembly Length | 50 m 164.042 ft |
| Cable Outer Diameter | 3.0 mm (0.12 in) |

Dimension Drawing



Ordering Tree



Material Specifications

Jacket Material Low Smoke Zero Halogen (LSZH)

Mechanical Specifications

Minimum Bend Radius, loaded 50 mm | 1.969 in

Minimum Bend Radius, unloaded 30 mm | 1.181 in

Tensile Load, long term, maximum 30 N | 6.744 lbf

Tensile Load, short term, maximum 100 N | 22.481 lbf

Cable Crush Resistance, maximum 15 N/mm | 85.652 lb/in

Optical Specifications

Fiber Mode Singlemode

Fiber Type G.657.A2, TeraSPEED®

Insertion Loss, maximum, connector A 0.4 dB

Return Loss, minimum, connector A 65 dB

Environmental Specifications

Installation temperature -20 °C to +60 °C (-4 °F to +140 °F)

Operating Temperature -5 °C to +60 °C (+23 °F to +140 °F)

Environmental Space Indoor

Jacket UV Resistance UV stabilized

Packaging and Weights

Cable weight 7.9 kg/km | 5.309 lb/kft
Packaging quantity 1

Regulatory Compliance/Certifications

| Agency | Classification |
|------------|--|
| CHINA-ROHS | Below maximum concentration value |
| REACH-SVHC | Compliant as per SVHC revision on www.commscope.com/ProductCompliance |
| ROHS | Compliant |
| UK-ROHS | Compliant |

