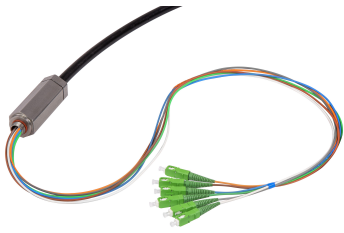


# NA-A300-3AS



## Fiber Optic Node Service Cable Assembly, 8 SC/APC Connectors with 36in Breakout, 8F Dielectric Cable

- Node Service Cable Assemblies are factory-terminated for use in node installations
- Environmentally sealed and tested
- Designed for fast installation between splicing in a closure transitioning to a node

### OBSOLETE

This product was discontinued on: August 17, 2023

## Product Classification

<b>Regional Availability</b>	Australia/New Zealand   EMEA   Latin America   North America
<b>Product Type</b>	Fiber node service cable assembly

## General Specifications

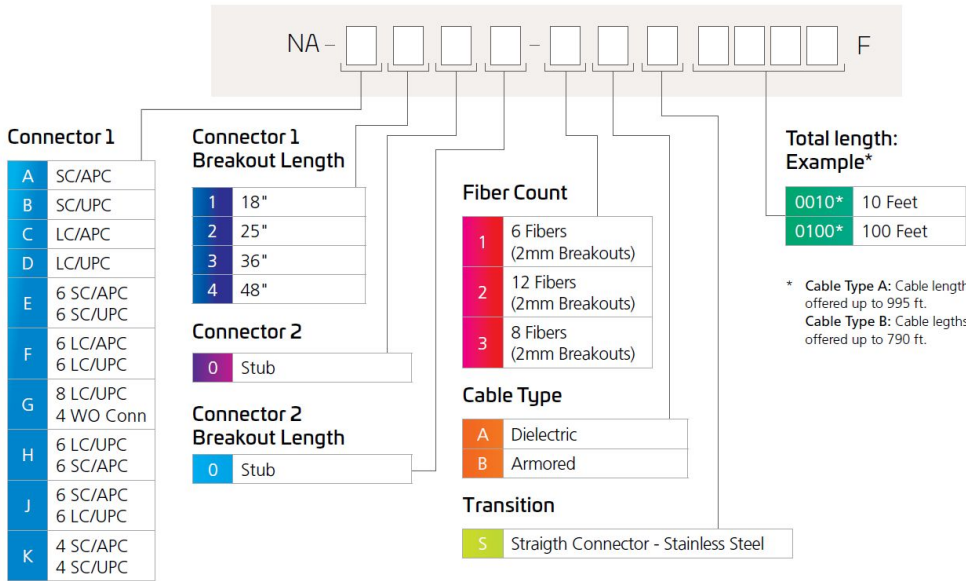
<b>Breakout Direction</b>	Straight
<b>Breakout Option</b>	Feed-through housing connector
<b>Cable Color</b>	Black
<b>Cable Type</b>	Dielectric - Round - Loose Tube
<b>Construction Type</b>	Breakout, armored
<b>Interface, Connectors side A</b>	SC/APC
<b>Interface, Connectors side B</b>	Unterminated
<b>Color, SC/APC boot</b>	Green
<b>Color, SC/APC connector</b>	Green
<b>Quantity, SC/APC connectors</b>	8
<b>Total Fibers, quantity</b>	8

## Dimensions

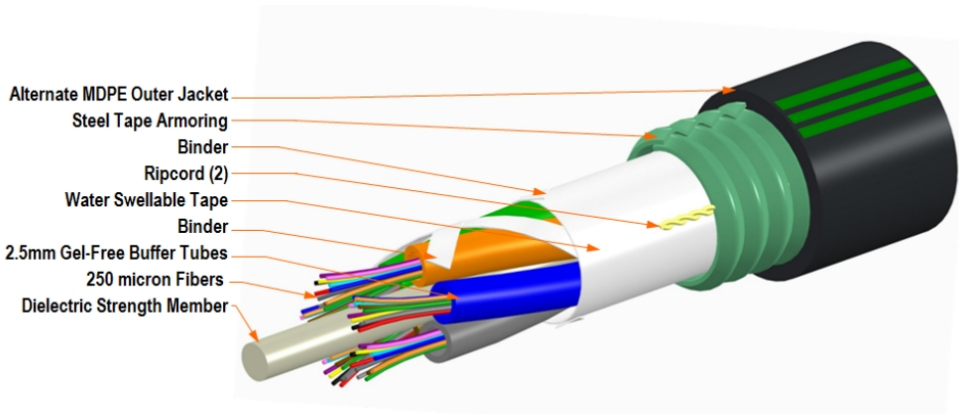
<b>Breakout Length, connector A</b>	914.4 mm   36 in
<b>Cable Assembly Length Range (m)</b>	1 – 300
<b>Cable Assembly Length Range (ft)</b>	1 – 995
<b>Cable Outer Diameter</b>	11.5 mm (0.45 in)

# NA-A300-3AS

## Ordering Tree



## Representative Image



## Material Specifications

**Jacket Material** PE

## Mechanical Specifications

**Minimum Bend Radius, loaded** 439.4 mm | 17.299 in

**Minimum Bend Radius, unloaded** 115 mm | 4.528 in

**Tensile Load, long term, maximum** 800 N | 179.847 lbf

**Tensile Load, short term, maximum** 2700 N | 606.984 lbf

# NA-A300-3AS

---

**Cable Crush Resistance, maximum** 44 N/mm | 251.246 lb/in

## Optical Specifications

**Fiber Mode** Singlemode  
**Fiber Type** G.652.D and G.657.A1  
**Insertion Loss, maximum, SC/APC connectors** 0.4 dB  
**Return Loss, minimum, SC/APC connectors** 65 dB

## Environmental Specifications

**Installation temperature** -30 °C to +70 °C (-22 °F to +158 °F)  
**Operating Temperature** -40 °C to +70 °C (-40 °F to +158 °F)  
**Storage Temperature** -40 °C to +75 °C (-40 °F to +167 °F)  
**Environmental Space** Outdoor, buried  
**Jacket UV Resistance** UV stabilized  
**Qualification Standards** Telcordia GR-326

## Packaging and Weights

**Cable weight** 110 kg/km | 73.917 lb/kft  
**Packaging quantity** 1

## Regulatory Compliance/Certifications

Agency	Classification
ISO 9001:2015	Designed, manufactured and/or distributed under this quality management system

