

MHD-MODA



Hardened Multifiber Optical Connector (HMFOC) cable assembly, HMFOC jack to stub, 12-fiber

- Hardened connectors are factory-terminated and environmentally sealed for use in optical drop cable deployments
- Hardened drop cables incorporate hardened connector technology that is designed to withstand the rugged outside plant environment
- Hardened drop cables simplify installation and maintenance by reducing splicing requirements in the distribution portion of the network
- *Product complies with the Build America, Buy America Act (BABAA) requirements of the Infrastructure Investment and Jobs Act of 2021 (Pub. L. 117- 58, §§ 70901-70953), or is the subject of a waiver approved by the Secretary of Commerce or designee. Compliance requirements and waiver applicability vary based on government funding program. Check the laws and regulations for your specific program.

Product Classification

Regional Availability	Asia Australia/New Zealand EMEA Europe Latin America North America
Product Type	Fiber drop cable assembly
Product Series	MHD
Government Requirements	Build America Buy America (BABA) compliant*

General Specifications

Cable Type	Dielectric - Flat
Connector A, quantity	1
Color, boot A	Black
Color, connector A	Black
Interface, Connector A	Hardened multi-fiber (HMFOC) jack
Interface Feature, connector A	Male Pinned
Interface, Connector B	Unterminated
Jacket Color	Black
Location of Manufacturing	Catawba, North Carolina
Total Fibers, quantity	12

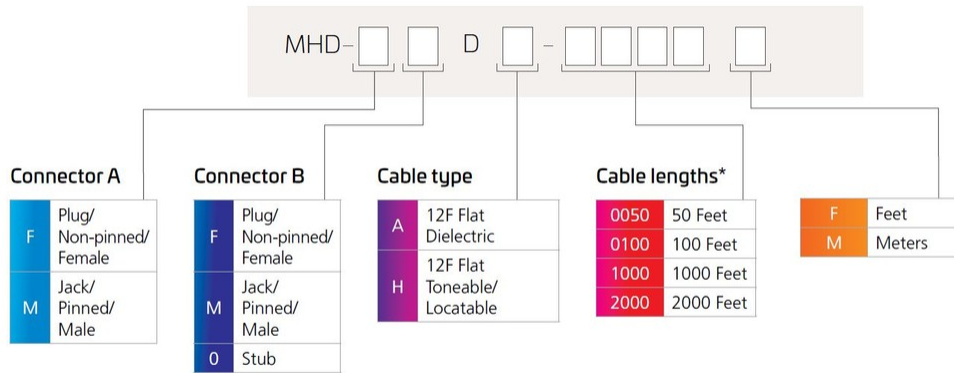
Dimensions

Cable Assembly Length Range (m)	8 – 915
--	---------

MHD-MODA

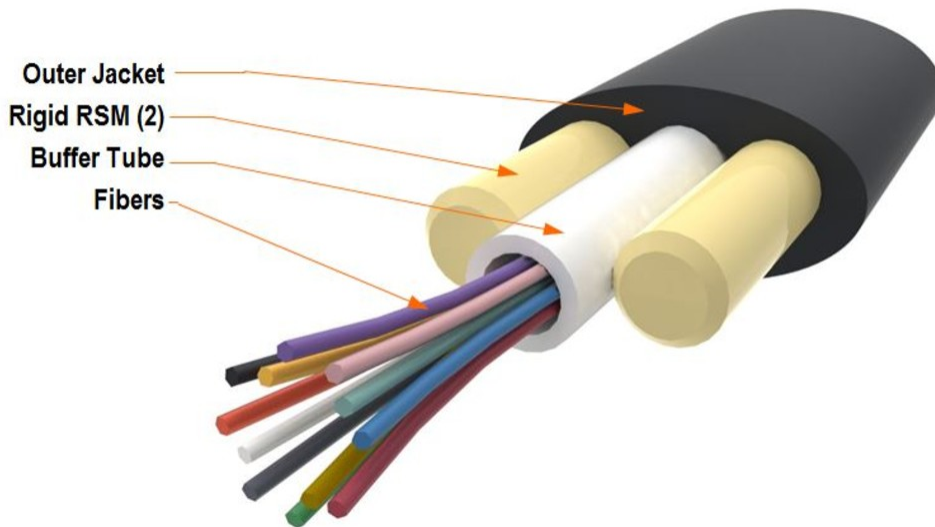
Cable Assembly Length Range (ft)	25 – 3000
Cable Outer Diameter	4.3 x 8.0 mm (0.17 x 0.31 in)

Ordering Tree



* Cable Length shown as an example, additional cable lengths available upon request up to 2,000 ft. (600 m).

Representative Image



Mechanical Specifications

Minimum Bend Radius, loaded	86 mm 3.386 in
Minimum Bend Radius, unloaded	81 mm 3.189 in
Tensile Load, long term, maximum	400 N 89.924 lbf

MHD-MODA

Tensile Load, short term, maximum 1334 N | 299.895 lbf

Optical Specifications

Fiber Mode Singlemode
Fiber Type G.657.A2, TeraSPEED®
Insertion Loss, maximum, connector A 0.45 dB
Return Loss, minimum, connector A 65 dB

Environmental Specifications

Installation temperature -30 °C to +70 °C (-22 °F to +158 °F)
Operating Temperature -40 °C to +70 °C (-40 °F to +158 °F)
Storage Temperature -40 °C to +75 °C (-40 °F to +167 °F)
Environmental Space Outdoor, buried
Jacket UV Resistance UV stabilized
Qualification Standards IEC 61753-1, category A and G | IP68 | Per GR-3152

Packaging and Weights

Packaging quantity 1

Regulatory Compliance/Certifications

Agency	Classification
CHINA-ROHS	Below maximum concentration value
REACH-SVHC	Compliant as per SVHC revision on www.commscope.com/ProductCompliance
ROHS	Compliant
UK-ROHS	Compliant



Included Products

810009324/DB – Self-Supporting All-Dielectric Outdoor Drop Cable, 12 fiber Arid Core construction, central loose tube
0-012-DF-8G1-F12NS/30T