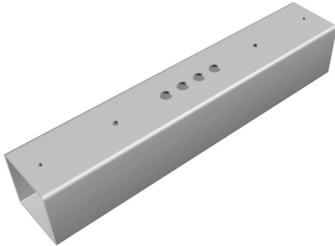


# MT-F1585

---



PVC Roof Sleeper, no holes, 8 ft

## Product Classification

**Product Type** Roof sleeper

## General Specifications

**Cable Runs, quantity** 0

**Mounting** Non-penetrating

## Dimensions

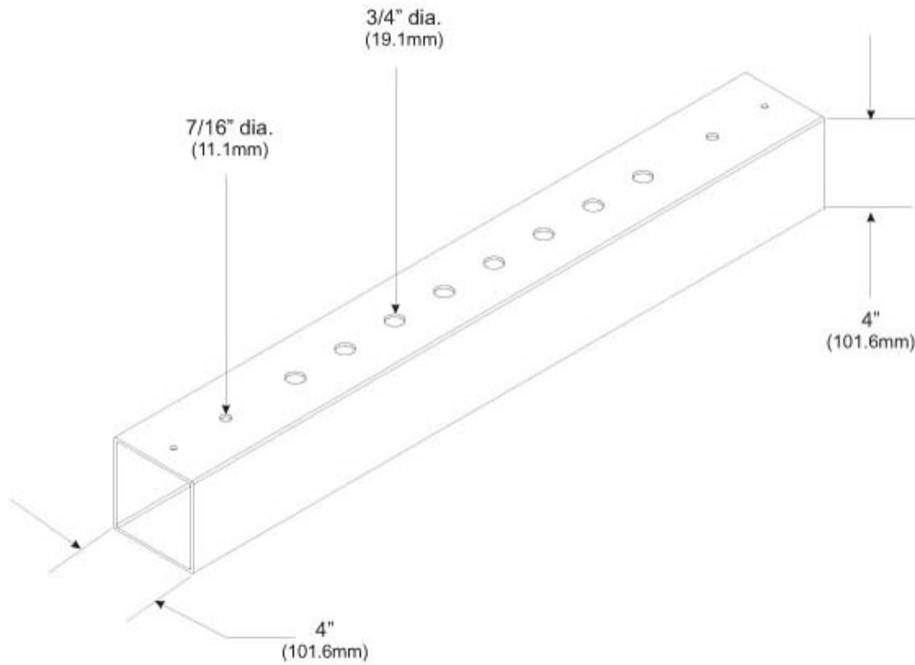
**Height** 101.6 mm | 4 in

**Width** 101.6 mm | 4 in

**Length** 2,438.4 mm | 96 in

# MT-F1585

## Outline Drawing



## Material Specifications

**Material Type** PVC

## Mechanical Specifications

**Wind Rating** For Specifications, please contact your local ANDREW representative

## Packaging and Weights

**Included** Sleeper

**Packaging quantity** 1

**Weight, net** 6.5 kg | 14.33 lb

## Regulatory Compliance/Certifications

Agency	Classification
ISO 9001:2015	Designed, manufactured and/or distributed under this quality management system

# MT-F1585

---

\* Footnotes

**Wind Rating**

BWS—Base Wind Speed; FBC—Florida Building Code

