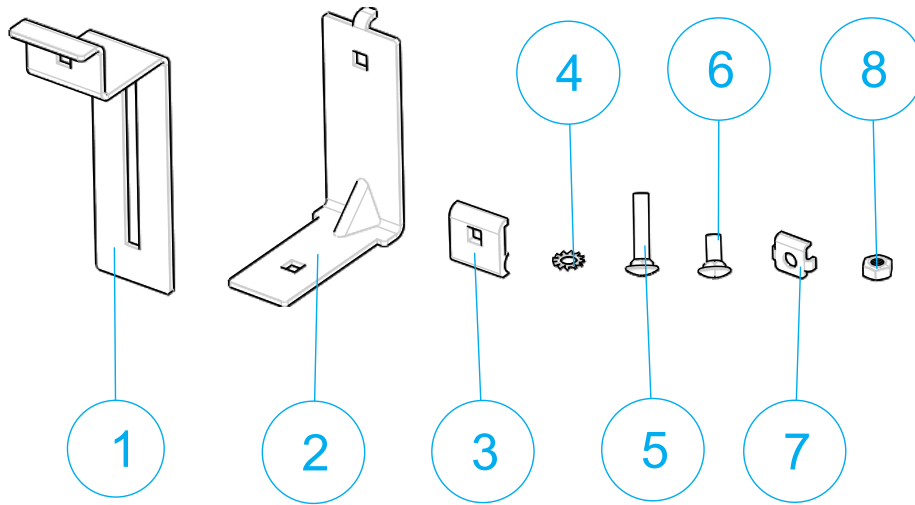


## NOVUX™ Fiber Optic System Strand Bracket

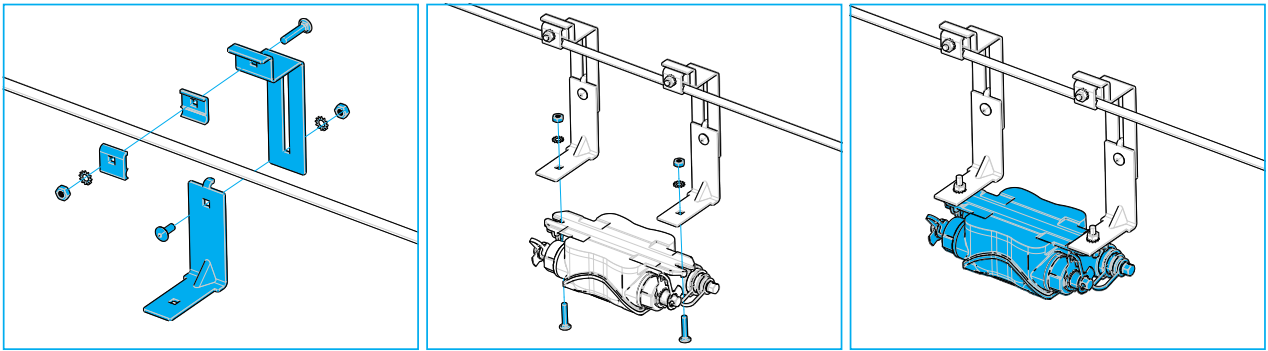
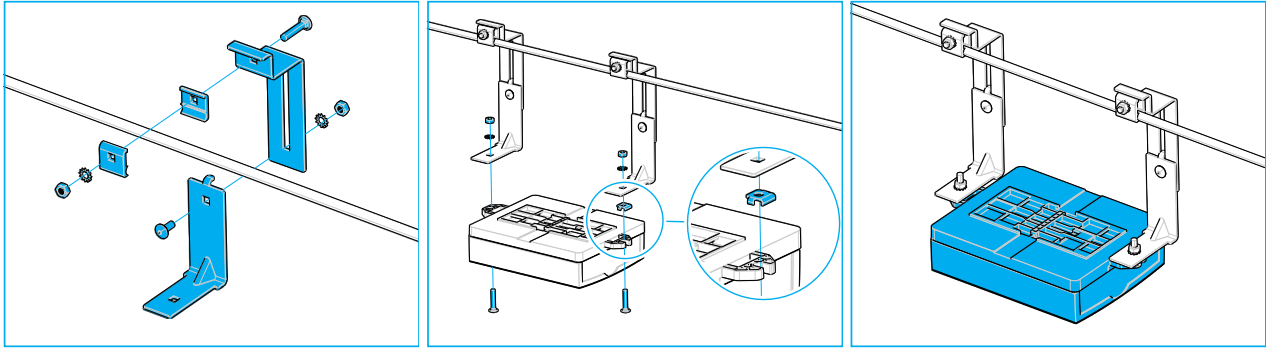
### 1 Kit content



N°	Description	Qty
1	Hanger bar	2
2	Hanger extension	2
3	Cable clamp	4
4	Lock washer M6	6
5	Bolt M6X30	4
6	Bolt M6X12	2
7	UMB Plate	1
8	Nut M6	6

## 2 Strand bracket mounting

### 2.1 Products with built in mounting tabs



### 2.2 Products using the Universal Mounting Bracket

